

MaxiRex digital time switches

surface or 72 x 72 mm panel mounting



0496 82

Conform to EN 60730-1 and EN 60730-2-7
 Supply voltage : 230 V~ 50/60 Hz
 Accuracy : ±1 second per day
 LCD digital display
 Programmable for 1 minute minimum at 1 minute intervals
 Panel and DIN rail mounting :
 - can be panel mounted using Cat. No. 0498 32
 - can be clipped to DIN rail using Cat. No. 0044 09

Pack	Cat. Nos.	MaxiRex D Plus
		Working reserve : 6 years Programmable for 1 minute min. at 1 minute steps either as 24 hour/7 day using pre-set groups of days One programme consists of 1 "ON" and 1 "OFF" time and the allocation of any day of the week or a combination of days. Plus the selected channel Example : Prog. 1 On 07.00hrs Off 08.15hrs Mon-Fri Ch1 Prog. 2 On 16.00hrs Off 20.15hrs Mon-Fri Ch2 Prog. 3 On 10.00hrs Off 16.15hrs Sat-Sun Ch1 Additional features : EEPROM memory stores programme indefinitely Optional automatic summer/winter time change Manual override (ON or OFF) Automatic advance (changes contact position until next automatic ON time)
1	0496 80	MaxiRex D72/1 Plus 24 hour or 7 day 28 programme 1 channel 1 x 16 A voltage free c/o contact
1	0496 82	MaxiRex D72/2 Plus 24 hour or 7 day 2 x 14 programme 2 channel 2 x 8 A voltage free c/o contacts

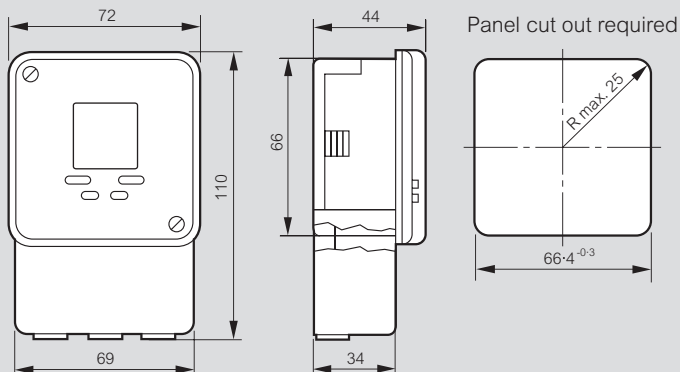
Fixing accessories		
5	0498 32	Clip-on support frame for panel mounting
5	0044 09	DIN rail adaptor

Technical information

Type Cat. No.	MaxiRex D72/1 Plus 0496 80	MaxiRex D72/2 Plus 0496 82
Programme	24 hour or 7 day	
No. of channels	1	2
No. of ON-OFF actions per day	28	2 x 14
Switching capacity : cos φ = 1 incandescent lamp cos φ = 0.6	16 A 5 A 8 A	8 A 3.5 A 4 A
Contact	1 changeover switch	2 changeover switches
Min. prog. time	1 minute	
Switching step	1 minute	
Accuracy	±1 second per day	
Working reserve ¹	6 years	
Programme memory	EEPROM	
Manual switching	Override and permanent	
Operating temp.	-20 °C to +55 °C	
Storage temp.	-20 °C to +60 °C	
Weight	178 g	204 g

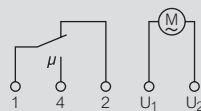
1 : For time and date only

Dimensions (mm)

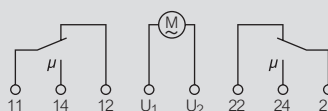


Wiring diagrams

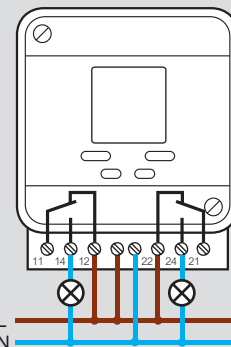
MaxiRex D72/1 Plus



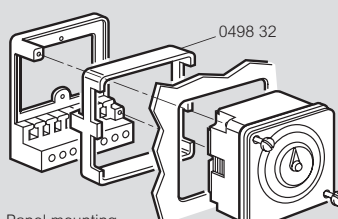
MaxiRex D72/2 Plus



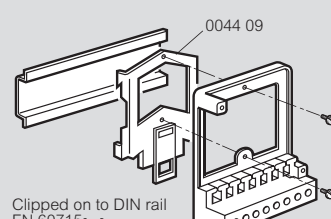
MaxiRex D72/2 Plus



Mounting options



Panel mounting with support Cat. No. 0498 32 to be ordered separately



Clipped on to DIN rail EN 60715 Adaptor to be ordered separately (Cat. No. 0044 09)