



Description

The Redington Model 722 provides an AC Hour Meter with an operating range of 90-264VAC 50/60 Hz. You no longer require two separate meters, one for 115VAC and one for 230VAC. Models are available in the standard industry housings, 2-Hole Rectangular, Flush-Rectangular, Flush-Round and 3-Hole Round. Its quartz time base insures accurate long-term time keeping. The Totally Sealed case protects against the environment and provides years of reliable service. All models are NEMA 4X,12 rated when mounted with optional gasket.

Features

- Operating voltage 90-264VAC 50/60Hz
- Totally Sealed
- UL/cUL Recognized, CE & RoHS Compliant
- 6 Figure, 99999.9
- Quartz accuracy

Options

- Wire leads
- Gasket kit (for NEMA 4X, 12 rating)
- Custom lens
- Terminals up, down, straight

Specifications

Figures:	6 - digits, 0.14" [3.6mm] 99999.9 Hours and indicator - white on black Decimal - black on white	Case Material:	Black polymer
Reset:	Non-reset	Lens Material:	Polymer
Voltage:	90-264VAC	Agency Approvals:	UL/cUL Recognized, CE & RoHS Compliant, SAE & NEMA 4X, 12 Compliant
Frequency:	50/60Hz	Environmental:	Totally Sealed
Power:	1 watt max.	Front Panel:	NEMA 4X, 12 rated with optional gasket
Mounting:	Clip or mounting holes	Temperature:	-40°F to +185°F [-40°C to + 85°C]
Termination:	¼" [6.3mm] spade terminals	Humidity:	95% (SAE J1378)
Weight:	~2 oz [57 g]	Vibration:	10-80 Hz, 20g max. (SAE J1378)
Accuracy:	± 0.02% over entire range	Shock:	55g @ 9 - 13msec (SAE J1378)

Models

Description

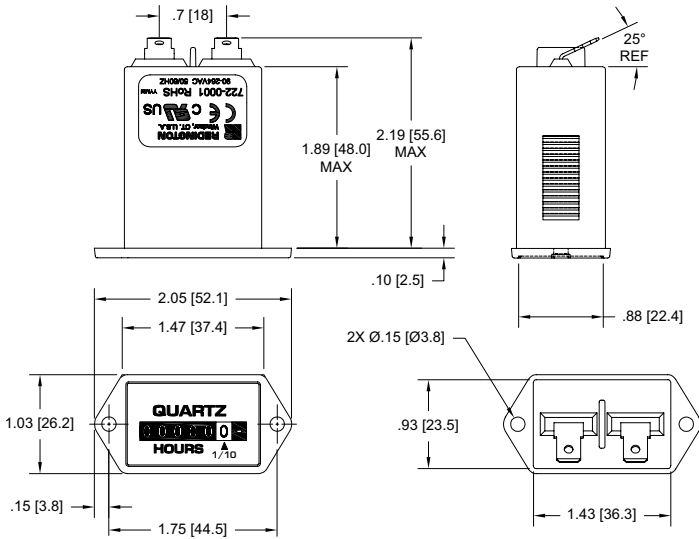
722-0001	2-Hole Rectangular, 90-264VAC 50/60Hz, ¼" [6.3mm] spade terminals, hours & 1/10's
722-0002	Flush-Rectangular, 90-264VAC 50/60Hz, ¼" [6.3mm] spade terminals, hours & 1/10's
722-0003	Flush-Round, 90-264VAC 50/60Hz, ¼" [6.3mm] spade terminals, hours & 1/10's
722-0004	3-Hole Round, 90-264VAC 50/60Hz, ¼" [6.3mm] spade terminals, hours & 1/10's
5003-009	NEMA 4X, 12 Gasket for Model 722-0002
5003-010	NEMA 4X, 12 Gasket for Model 722-0001
5003-011	NEMA 4X, 12 Gasket for Model 722-0004
5003-012	NEMA 4X, 12 Gasket for Model 722-0003

* All items are normally in factory stock



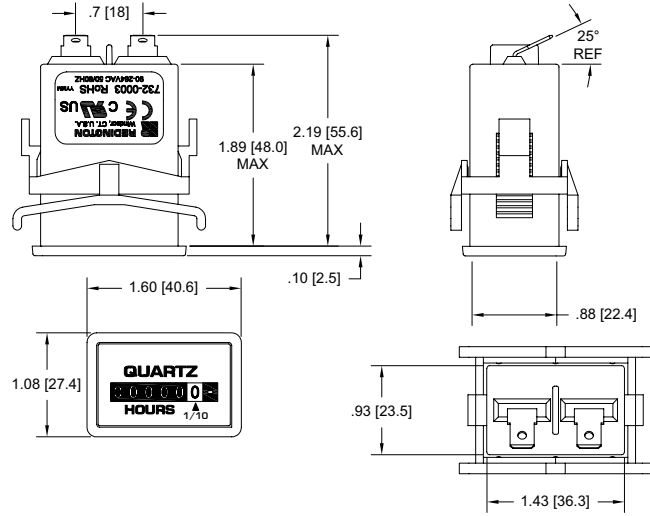
Dimensions

2-Hole



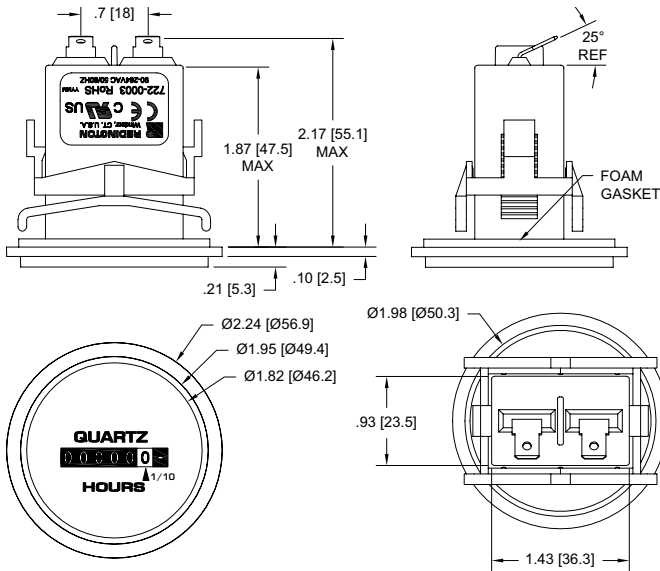
Panel Opening: 1.45" X 0.95" [36.8 X 24.1]

Flush-Rectangular



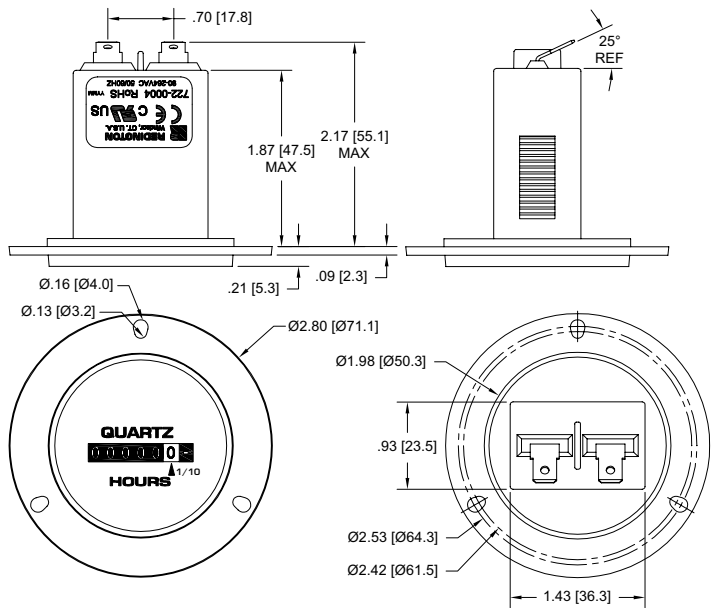
Panel Opening: 1.45" X 0.95" [36.8 X 24.1]
Panel Thickness: 0.03 to 0.63 [0.76 to 16.00]

Flush-Round



Panel Opening: 2.0" [50.6]
Panel Thickness: 0.40 [10.2] Max.

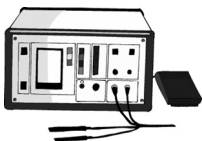
3-Hole Round



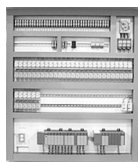
Panel Opening: 2.0" [50.6]

Applications

Medical Equipment



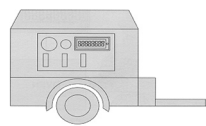
Control Panels



Test Equipment



Generators



Office Equipment

