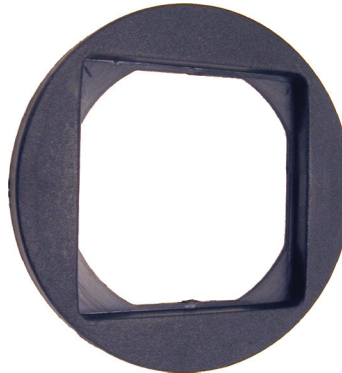


722-0030/732-0030, 1.89" [48mm] Square



Square Panel, 2.84" [72mm]



Round Panel, 2.84" [72mm]



Square Panel, 2.2" [55mm]

Description

The Redington Model 722 provides an AC Hour Meter with an operating range of 90-264VAC 50/60 Hz. You no longer require two separate meters, one for 115VAC and one for 230VAC. The Redington Model 732 provides a DC Hour Meter with an operating range of 10-80VDC. 732 Models are protected for 2x battery voltage and/or reverse polarity. A quartz time base insures accurate long-term time keeping while the sealed case protects against the environment and provides years of reliable service. Models have a square front panel dimension of 1.90" [48mm x 48mm]. Three adapter panels are also available for fitting additional panel dimensions.

Features

- 722 Operating voltage 90-264VAC 50/60Hz
- 732 Operating voltage 10-80VDC
- Totally Sealed
- UL/cUL Recognized, CE & RoHS Compliant
- 6 Figure, 99999.9

Options

- Wire leads
- Terminals up, down, straight
- Available adapter panels

Specifications

Figures: 6 - digits, 0.14" [3.6mm] 99999.9
Hours and indicator - white on black
Decimal - black on white

Reset: Non-reset

722 Voltage: 90-264VAC 50/60Hz

732 Voltage: 10-80VDC 50/60Hz

Power: 1 watt max.

Mounting: Clip (with optional adapter panels)

Termination: ¼" [6.3mm] spade terminals

Weight: ~2 oz [57 g]

Accuracy: ± 0.02% over entire range

Case Material: Black polymer

Lens Material: Polymer

Agency Approvals: UL/cUL Recognized, CE, RoHS, SAE J1378

732 Overvoltage & Reverse Polarity: Protected for 2x battery voltage/reverse polarity

Environmental: Totally Sealed

Temperature: -40°F to +185°F [-40°C to + 85°C]

Humidity: 95% (SAE J1378)

Vibration: 10-80 Hz, 20g max. (SAE J1378)

Shock: 55g @ 9 - 13msec (SAE J1378)

Models

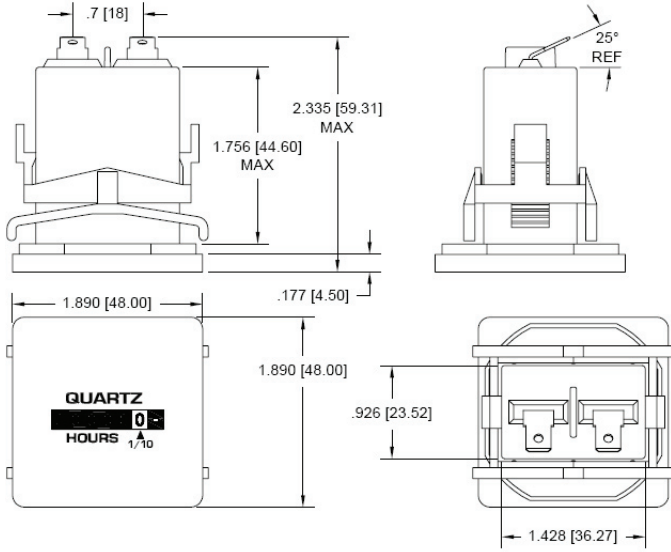
Description

722-0030	Square Panel mount with Clip, 90-264VAC 50/60Hz, ¼" [6.3mm] spade terminals, hours & 1/10's
732-0030	Square Panel mount with Clip, 10-80VDC, ¼" [6.3mm] spade terminals, hours & 1/10's
1662-026	Square Panel, 2.2" [55mm]
1662-024	Square Panel, 2.84" [72mm]
1662-025	Round Panel, 2.84" [72mm]

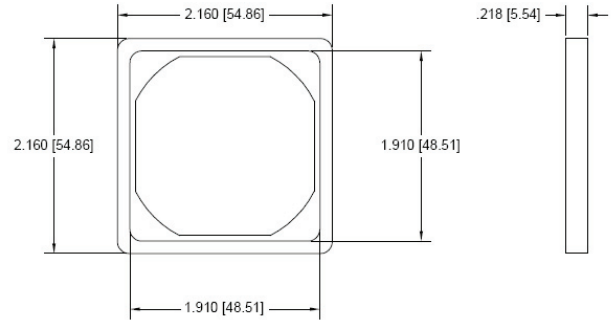
* All items are normally in factory stock



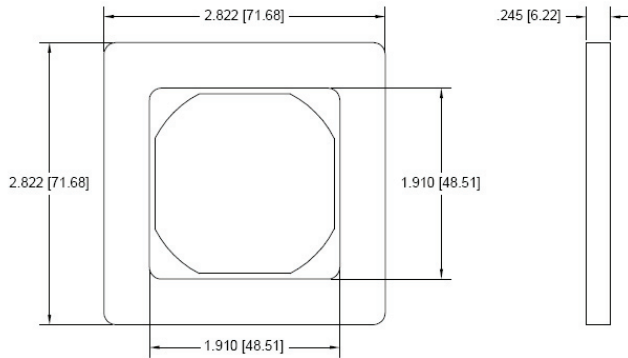
Dimensions



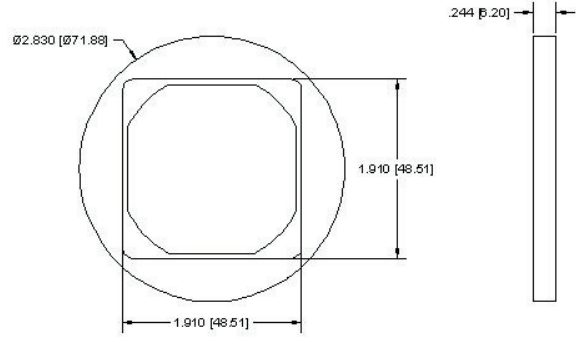
722-0030/732-0030



Square Panel, 2.2" [55mm]



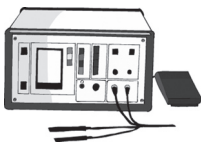
Square Panel, 2.84" [72mm]



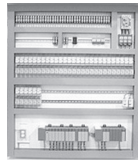
Round Panel, 2.84" [72mm]

Model 722 Applications

Medical Equipment



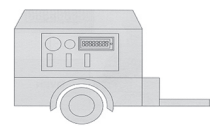
Control Panels



Test Equipment



Generators

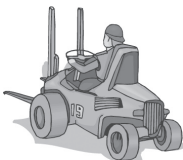


Office Equipment



Model 732 Applications

Material Handling



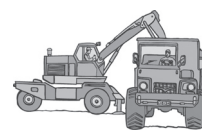
Farm Equipment



Outdoor Power Equipment



Construction Equipment



Utility Vehicles

