



Push-button,flush,red

Part no.  
Article no.  
Catalog No.

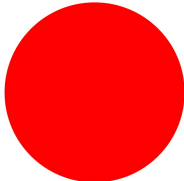
M22-D-R  
216594  
M22-D-RQ

**EATON**

Powering Business Worldwide™




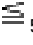
### Delivery programme

|                            |  |  |  |
|----------------------------|--|--|--|
| Product range              |  |  | RMQ-Titan (drilling dimensions 22.5 mm)  |
| Basic function             |  |  | Pushbutton actuators   |
| Single unit/Complete unit  |  |  | Single unit  |
| Description                |  |  | Flush  |
| Function                   |  |  | momentary  |
| Button plate               |  |  |  |
| Front ring                 |  |  | Front ring: titanium   |
| Connection to SmartWire-DT |  |  | yes  |
| Function                   |  |  | momentary  |

### Approvals

|                             |  |
|-----------------------------|--|
| Product Standards           | IEC/EN 60947-5; UL 508; CSA-C22.2 No. 14-05; CSA-C22.2 No. 94-91; CE marking |
| UL File No.                 | E29184   |
| UL Category Control No.     | NKCR   |
| CSA File No.                | 012528   |
| CSA Class No.               | 3211-03  |
| North America Certification | UL listed, CSA certified   |
| Degree of Protection        | UL/CSA Type 3R, 4X, 12, 13   |

### General

|   |                  |                      |  |
|---|------------------|----------------------|--|
| Standards                                 |                  |                      | IEC/EN 60947<br>VDE 0660   |
| Lifespan, mechanical                      | Operations       | x<br>10 <sup>6</sup> | > 5  |
| Operating frequency                       | Operations/<br>h |                      |  3600 |
| Actuating force                           |                  | n                    |  5    |
| Protection type                           |                  |                      | IP67, IP69K  |
| Climatic proofing                         |                  |                      | Damp heat, constant, to IEC 60068-2-78<br>Damp heat, cyclic, to IEC 60068-2-30           |
| Ambient temperature                       |                  | °C                   |  |
| Open                                      |                  | °C                   | - 25 - + 70  |
| Storage                                   |                  | °C                   | - 40 - + 80  |
| Mounting position                         |                  |                      | As required  |
| Mechanical shock resistance               |                  | g                    | 30<br>Shock duration 11 ms<br>Sinusoidal<br>according to IEC 60068-2-27                  |
| Indoor and protected outdoor installation |                  |                      |  |

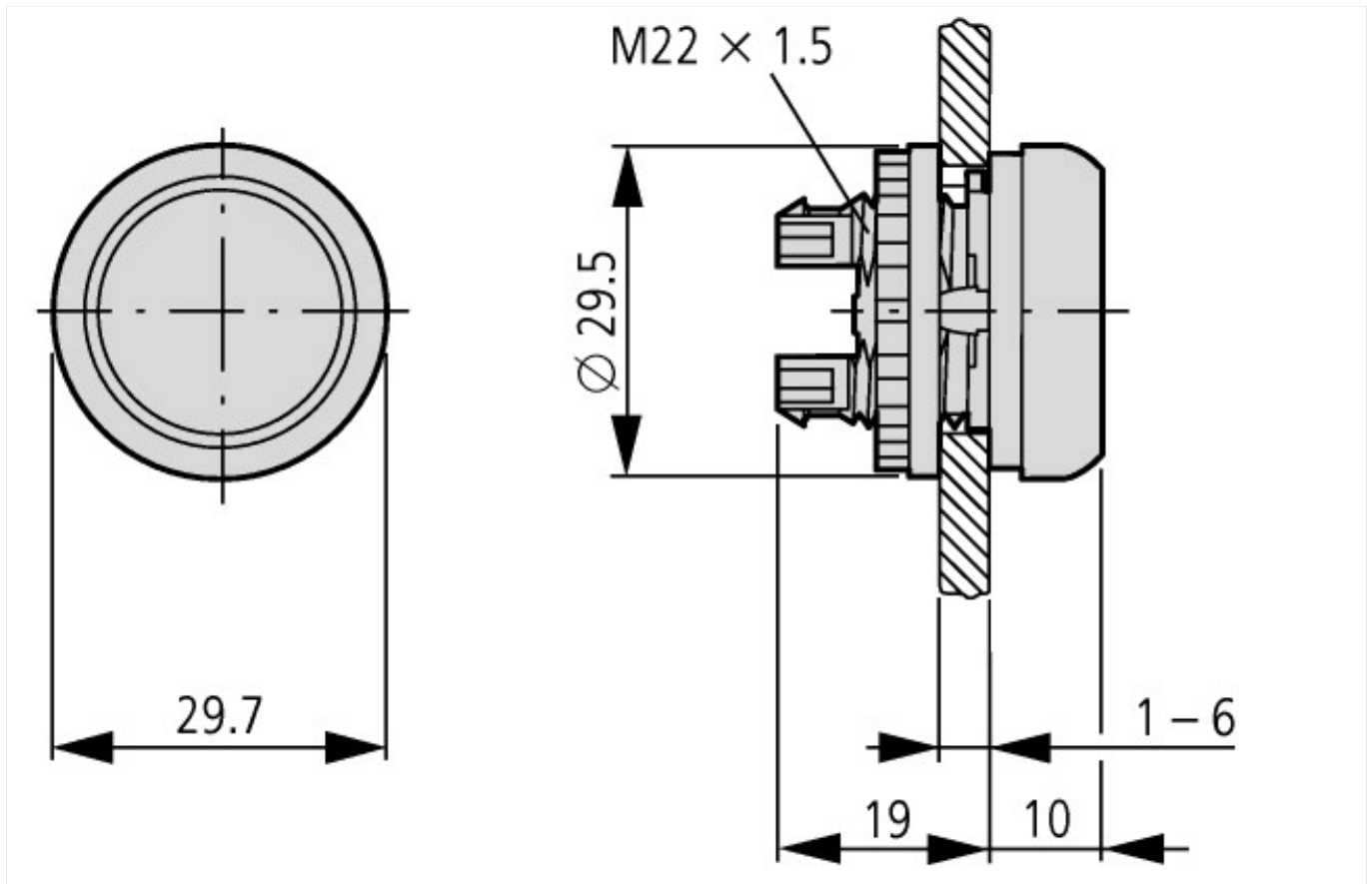
### Technical data ETIM 5.0

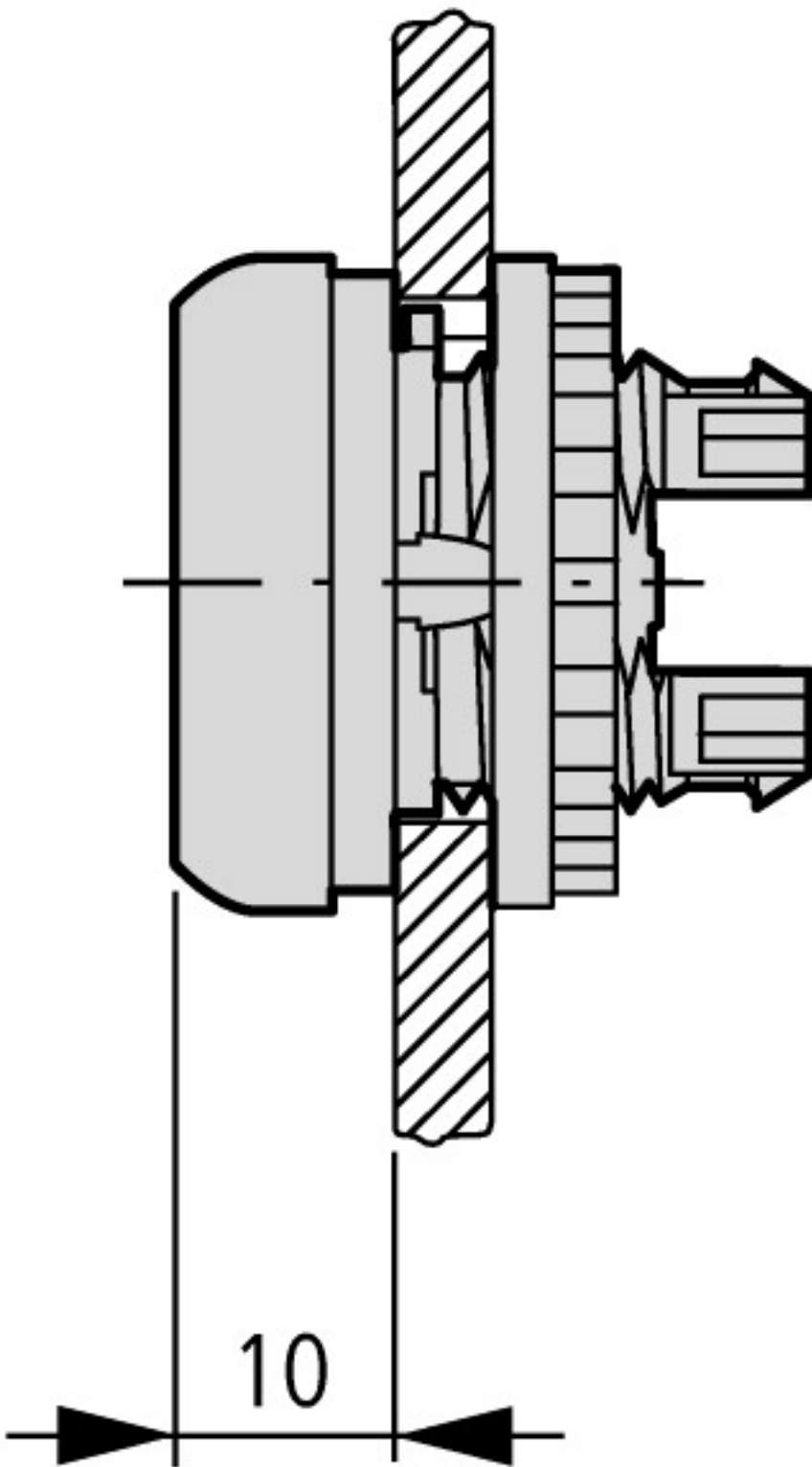
Low-voltage industrial components (EG000017) / Front element for push button (EC000221)  
Electric engineering, automation, process control engineering / Low-voltage switch technology / Command and alarm device / Front element for push-button actuators  
(ecl@ss8-27-37-12-10 [AKF028010])

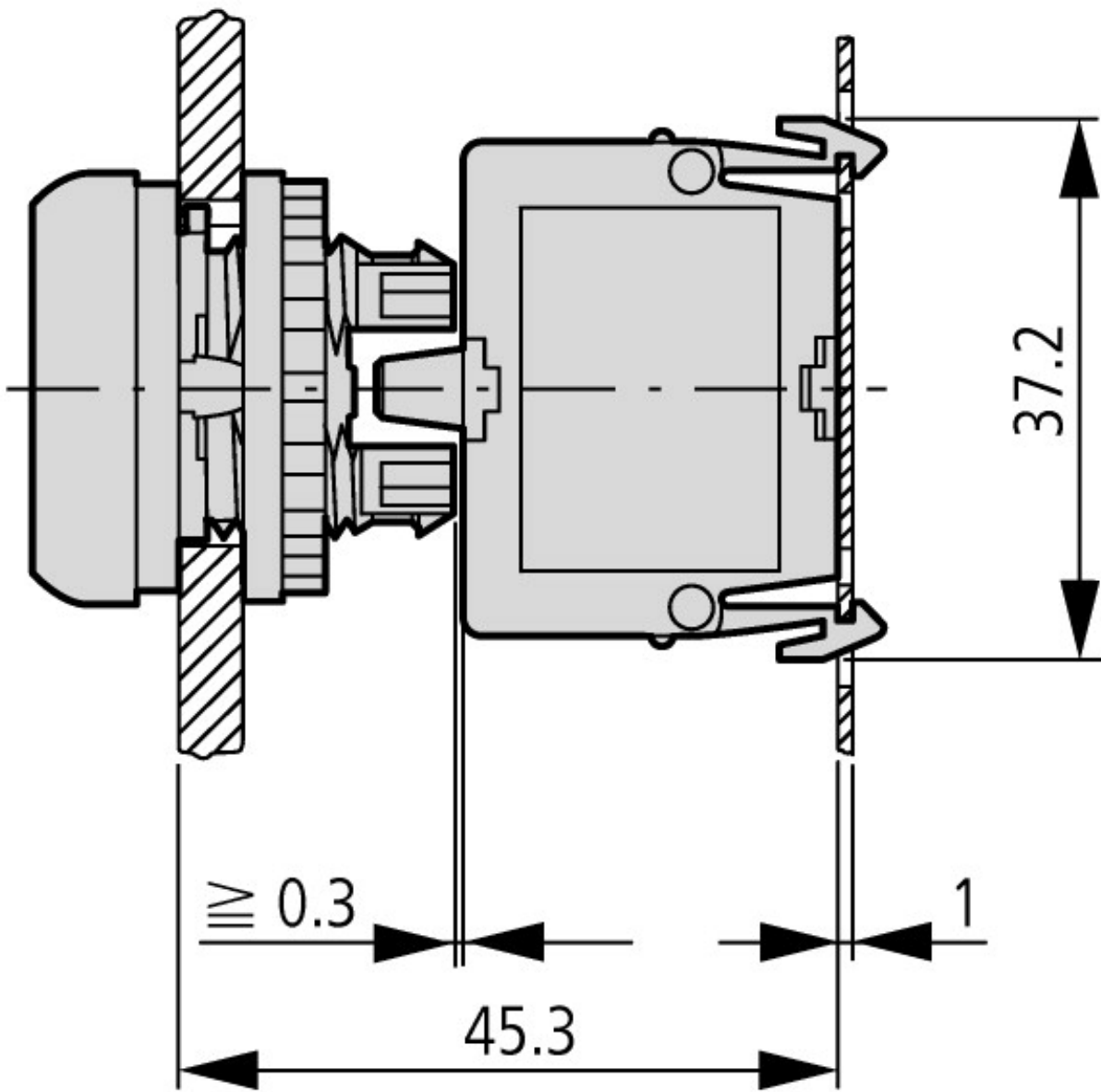
|                                       |  |    |       |
|---------------------------------------|--|----|-------|
| Colour button                         |  |    | Red   |
| Number of command positions           |  |    | 1     |
| Construction type lens                |  |    | Round |
| Hole diameter                         |  | mm | 22    |
| Width opening                         |  | mm | 22    |
| Height meter opening                  |  | mm | 6     |
| Degree of protection (IP), front side |  |    | IP67  |

|                             |  |         |
|-----------------------------|--|---------|
| Type of button              |  | Flat    |
| Suitable for illumination   |  | No      |
| Switching function latching |  | No      |
| Spring-return               |  | Yes     |
| With front ring             |  | Yes     |
| Material front ring         |  | Plastic |
| Colour front ring           |  | Chrome  |

## Dimensions







Actuating and indicator elements  
Base fixing

**Additional product information (links)**

**IL04716002Z (AWA1160-1745) RMQ-Titan System**

IL04716002Z (AWA1160-1745) RMQ-Titan System

[ftp://ftp.moeller.net/DOCUMENTATION/AWA\\_INSTRUCTIONS/IL04716002Z2013\\_08.pdf](ftp://ftp.moeller.net/DOCUMENTATION/AWA_INSTRUCTIONS/IL04716002Z2013_08.pdf)