



Key Operation

Part no.
Article no.

SVC-T3
050975



Powering Business Worldwide™

In the depressed position, the locking slide is lockable with up to 3 padlocks

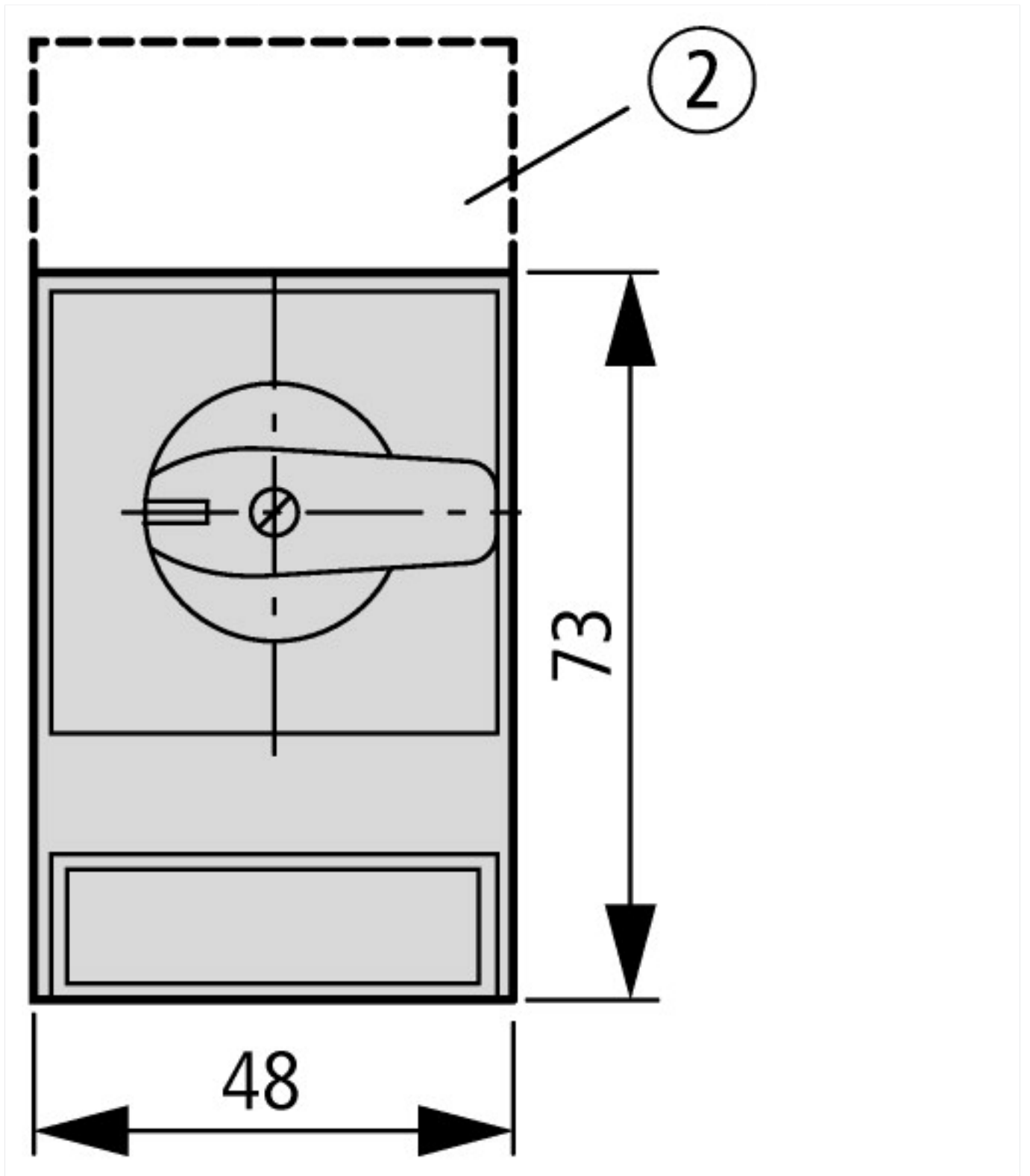
Delivery programme

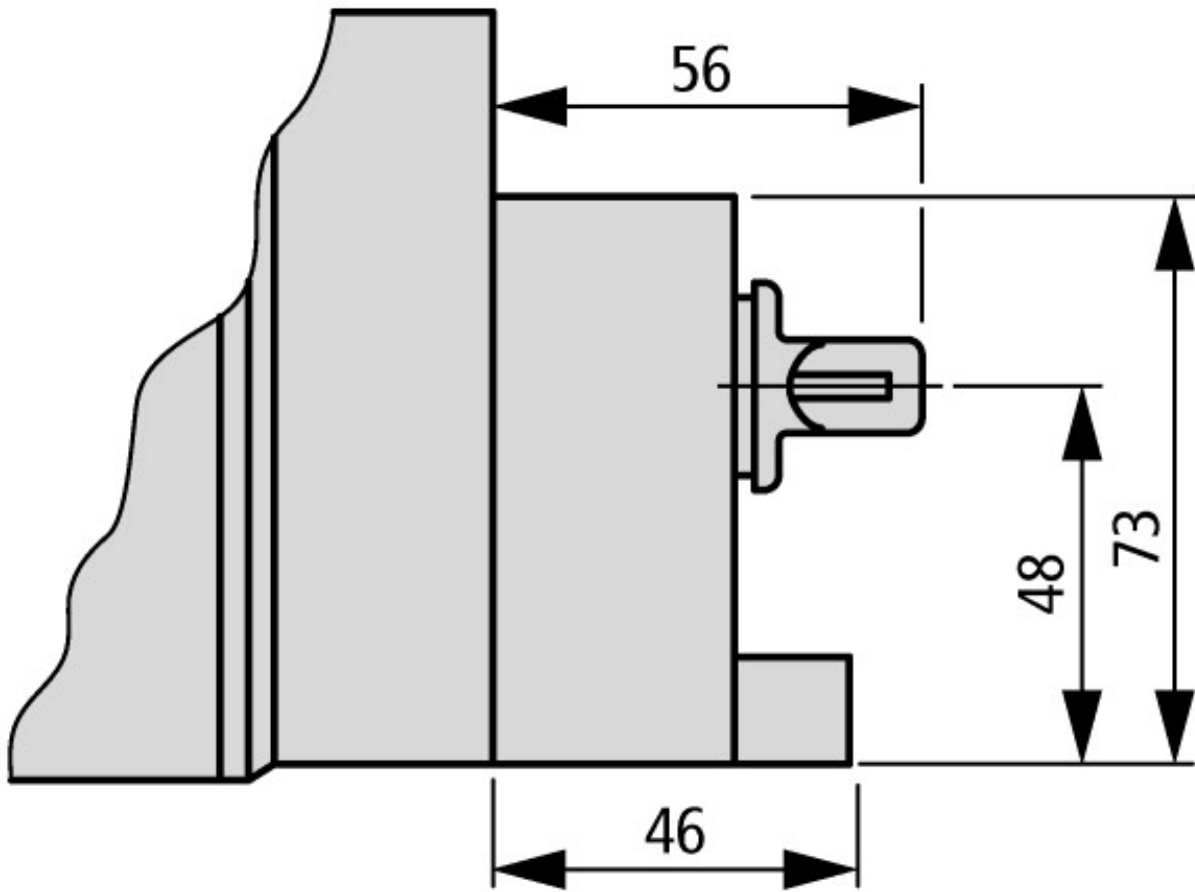
Product range			Accessories
			Locking arrangements
Protection type			Front IP65
			The locking slide can be locked with a max. of 3 padlocks when in its pressed, interlocked position All positions can be interlocked
For use with			T0-.../E, .../I1, .../Z T3-.../E, .../I2, .../Z P1-.../E, .../I2, .../Z
Key withdrawal			The positions that can be interlocked can be programmed by the user

Technical data ETIM 4.0

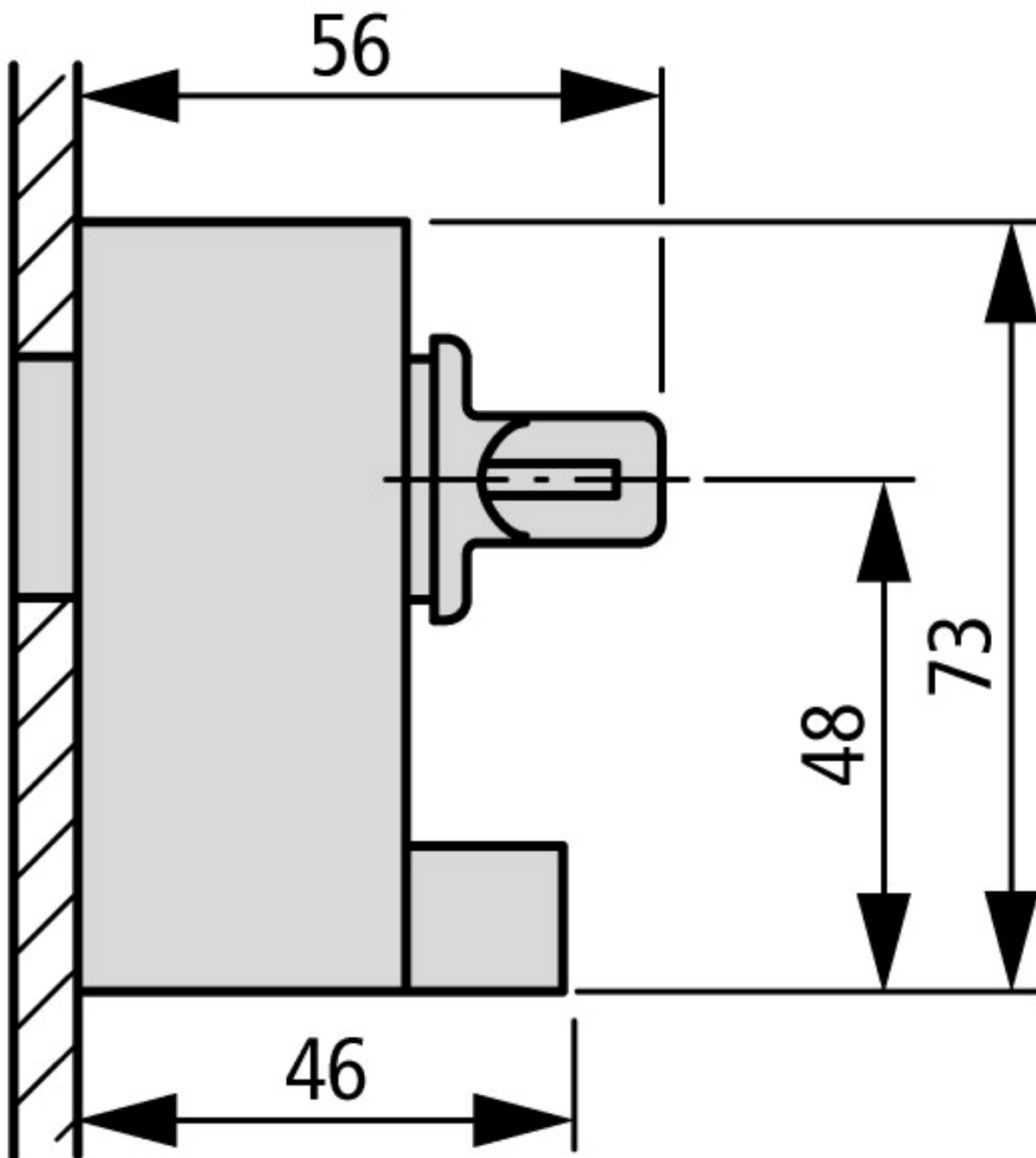
Number of auxiliary contacts as normally open contact			0
Number of auxiliary contacts as normally closed contact			0
Rated permanent current Iu		A	0
Number of poles			0
Conditioned rated short-circuit current Iq		kA	0
Degree of protection (IP), front side			-
Number of auxiliary contacts as change-over contact			0
Interlockable			No
Motor drive integrated			No
Connection type main current circuit			-
Version as emergency stop installation			No
Type of control element			Key
Version as main switch			No
Version as switch disconnecter compact			No
Version as safety switch			No
Version as maintenance-/service switch			No
Rated operation power at AC-23, 400V		kWh	0
Rated operation power AC-3, 400 V		kWh	0
Suitable for ground mounting			No
Suitable for front mounting			No
Suitable for front mounting center			No
Suitable for distribution board installation			No
Suitable for intermediate mounting			No
Max. rated operation voltage Ue AC		V	0
Motor drive optional			No
Voltage release optional			No
Device construction			-

Dimensions



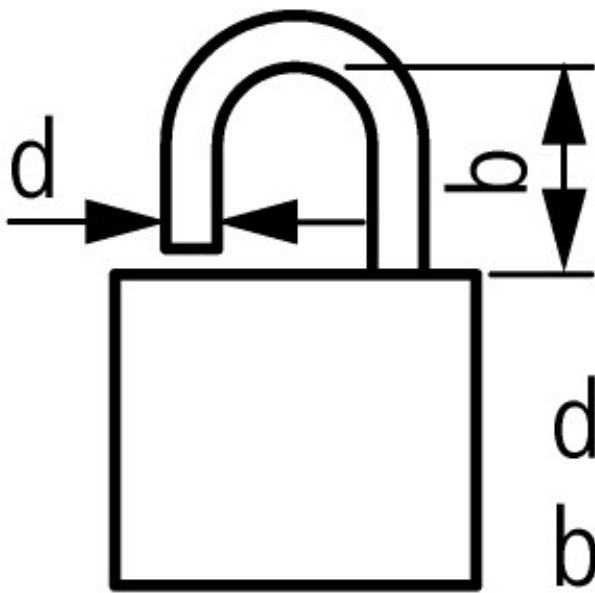


T0-.../11/SVC...
T3-.../12/SVC...
P1-.../12/SVC...



T0-.../E/SVC...
 T3-.../E/SVC...
 P1-.../E/SVC...

T0-.../Z/SVC...
 T3-.../Z/SVC...
 P1-.../Z/SVC...



$$d = 4 - 8 \text{ mm}$$

$$b + d \leq 47 \text{ mm}$$

Up to 3 padlocks