

## Enclosed switches - Fireman switch

Enclosure: Aluminum alloy  
 Auxiliary contact: Not included (\*Aux.contact included)

### Colors

Enclosure: Red  
 Handle and cover: Red

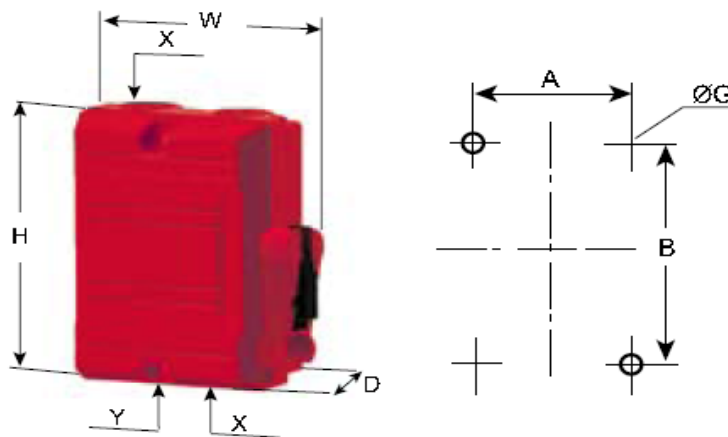
### Standards

Devices complying with  
 - International standards IEC 60947-3  
 - British standards BS7671 (Requirements for electrical installations)

## Aluminum enclosed side-operated switch-disconnectors

| Rated operational current [A] | Poles       | Cable entries Up/Down | Enclosure size |                   |     | Type | Order number | Weight kg/pce  |                 |      |
|-------------------------------|-------------|-----------------------|----------------|-------------------|-----|------|--------------|----------------|-----------------|------|
|                               |             |                       | W              | H                 | D   |      |              |                |                 |      |
| <b>AC-22A</b>                 |             |                       |                |                   |     |      |              |                |                 |      |
| <b>230V</b>                   | <b>400V</b> | <b>690V</b>           |                |                   |     |      |              |                |                 |      |
| 25                            | 25          |                       | 2              | 2xM25/2xM25       | 109 | 130  | 60           | KSF225 DP      | 2CMA142435R1000 | 0.57 |
| 25                            | 25          | 16                    | 3              | 2xM25/2xM25       | 109 | 130  | 60           | KSF325 TPN     | 2CMA142436R1000 | 0.59 |
| 40                            | 40          | 32                    | 3              | 2xM32/2xM32+1xM16 | 136 | 168  | 68           | KSF340 TPN     | 2CMA142438R1000 | 0.82 |
| 25                            | 25          | 16                    | 3              | 2xM25/2xM25       | 109 | 130  | 60           | KSF325 NO/TPN* | 2CMA142442R1000 | 0.60 |
| 25                            | 25          | 16                    | 4              | 2xM25/2xM25       | 109 | 130  | 60           | KSF425 TPSN    | 2CMA142437R1000 | 0.59 |
| 40                            | 40          | 32                    | 4              | 2xM32/2xM32+1xM16 | 136 | 168  | 68           | KSF440 TPSN    | 2CMA142439R1000 | 0.83 |

\* Auxiliary contact included.



| Type   | Size |     |    | Cable entry |       | Fixing dimensions |     |   |
|--|------|-----|----|-------------|-------|-------------------|-----|---|
|  | W    | H   | D  | X           | Y     | A                 | B   | G |
| 2-pole, Aluminum enclosed side-operated switch-disconnectors |      |     |    |             |       |                   |     |   |
| KSF 225...   | 109  | 130 | 60 | 2xM25       | -     | 64                | 90  | 5 |
| 3-pole, Aluminum enclosed side-operated switch-disconnectors |      |     |    |             |       |                   |     |   |
| KSF 325...   | 109  | 130 | 60 | 2xM25       | -     | 64                | 90  | 5 |
| KSF 340...   | 136  | 168 | 68 | 2xM32       | 1xM16 | 90                | 127 | 5 |
| 4 pole-Aluminum  |      |     |    |             |       |                   |     |   |
| KSF 425...   | 109  | 130 | 60 | 2xM25       | -     | 64                | 90  | 5 |
| KSF 440...   | 136  | 168 | 68 | 2xM32       | 1xM16 | 90                | 127 | 5 |

## Enclosed switches Ratings IEC 60 947-3

|  |                           |  |     |         |     |  |     |     |                       |     |  |     |    |
|--|---------------------------|--|-----|---------|-----|--|-----|-----|-----------------------|-----|--|-----|----|
| Switches type BW and KSE<br>Safety switches type BWS<br>and LBAS<br>Plastic and metal enclosure<br>$I_n$ AC23A 16-90 A<br>$I_{th}$ 25-125 A<br>For motors $P_n$ up to 45 kW<br>$U_n$ 400-750V<br>Degree of protection: IP54<br>or IP65 |                           | BW225 DP<br>BW225 W DP<br>KSE225 DP<br>KSF225 DP |     | BW325 L |     | BW325M<br>BW325<br>BW325 K<br>BW425<br>BW325Y<br>BW625<br>KSE325<br>KSE425<br>BWS316<br>BWS416<br>BWS616<br>BWS316Y<br>BWS416Y<br>BWS616Y<br>BWS316F<br>LBAS316<br>LBAS416<br>KSF325<br>KSF425 |     |     | BW240 DP<br>KS 240 DP |     | BW340<br>BW440<br>BW640<br>KSE340<br>KSE440<br>BWS325<br>BWS425<br>BWS625<br>BWS325Y<br>BWS425Y<br>BWS625Y<br>LBAS325<br>LBAS425<br>KSF340<br>KSF440 |     |    |
| Isolation voltage  | V                         | 690  |     | 400     |     | 690  |     |     | 690                   |     | 690  |     |    |
| Uimp   | V                         | 8  |     | 8       |     | 8  |     |     | 8                     |     | 8  |     |    |
| Rated thermal current<br>$I_{th}$ at 40°C<br>$I_{th}$ at 60°C<br>With minimum conductor<br>cross section   | A<br>A<br>mm <sup>2</sup> | 25   | 25  | 25      | 32  | 40   |     |     | 40                    |     |  |     |    |
| Operating voltage, $U_e$   | V                         | 230  | 400 | 400     | 400 | 500  | 690 | 230 | 400                   | 400 | 500  | 690 |    |
| Rated current<br>$I_n$ AC23A<br>$I_n$ AC22A  | A<br>A                    | 16   | 16  | 16      | 16  | 16   | 10  | 25  | 25                    | 25  | 25   | 16  |    |
| Max fuse, aM   | A                         | 50   | 50  | 50      | 50  | 35   | 35  | 50  | 50                    | 50  | 35   | 35  |    |
| Conditional short-circuit<br>current   | kA                        | 25   | 25  | 25      | 25  | 25   | 25  | 25  | 25                    | 25  | 25   | 25  |    |
| Fuse protected short-<br>circuit making capacity   | kA                        | 5.5  | 5.5 | 5.0     | 5.0 | 4.8  | 4.8 | 5.5 | 5.5                   | 5.0 | 4.8  | 4.8 |    |
| Rated making capacity<br>$\leq 100A$ $\cos = 0,45$   | A                         | 160  | 160 | 160     | 160 | 160  | 100 | 250 | 250                   | 250 | 250  | 160 |    |
| Rated breaking capacity<br>$\leq 100A$ $\cos = 0,45$   | A                         | 128  | 128 | 128     | 128 | 128  | 80  | 200 | 200                   | 200 | 200  | 128 |    |
| Max motor power  | kW                        |  |     | 7,5     | 7,5 | 7,5  | 7,5 |     |                       |     | 11   | 15  | 11 |
| Terminals for cable<br>section Cu  | mm <sup>2</sup>           | 1 - 10   |     | 1 - 10  |     | 1 - 10   |     |     | 1 - 10                |     | 1 - 10   |     |    |
| Earth terminal   | mm <sup>2</sup>           | 10   |     | 10      |     | 10   |     |     | 10                    |     | 10   |     |    |