



## 20 to 1250 A Manual operation

### ⇒ Function

**FUSERBLOC** are manually operated multipolar fuse combination switches. They break or switch off on load and provide safety isolation and protection against overcurrent for any low voltage electrical circuit.

### ⇒ General characteristics

- Fully visualised breaking.
- Double break by phase (top and bottom of fuse).
- Protection against overcurrent by fuse circuit-breakers (gG, aM, UR, BS88) with high breaking capacity (100 kA eff.).
- IP20 protection with terminal shrouds front panel.
- Compact.
- TEST position for testing control circuits without power using U type auxiliary contacts. In TEST position, the enclosure door can be opened.

### ⇒ Available on request

- **FUSERBLOC with rear top or bottom connections:** consult us.
- **Multipolar FUSERBLOC** providing various coupling possibilities (for example: FUSERBLOC 3 x 400 A + 3 x 50 A with front or side operation).
- **FUSERBLOC UL and CSA** for the North American markets (see page 204).
- **FUSERBLOC with centred operation:** consult us.
- **FUSERBLOC for solar applications:** consult us.

### ⇒ Conformity to standards

- IEC 60947-3
- EN 60947-3
- BS EN 60947-3
- NBN EN 60947-3
- IEC 60269-1
- DIN EN 60269-1
- NF EN 60269-1
- IEC 60269-2
- VDE 0636-1
- VDE 0660-107
- IS 14947-3
- Standards UL: see FUSERBLOC UL

### ⇒ Approvals and certifications<sup>(1)</sup>

- KEMA
- LOVAG
- CCC
- GOST (Russia)
- CEBEC (Belgium)
- FI (Finland)
- CCA
- UKR (Ukraine)

<sup>(1)</sup> Product reference on request.



fuser\_597\_a

Multipolar FUSERBLOC



fuser\_592\_a

Centred operation

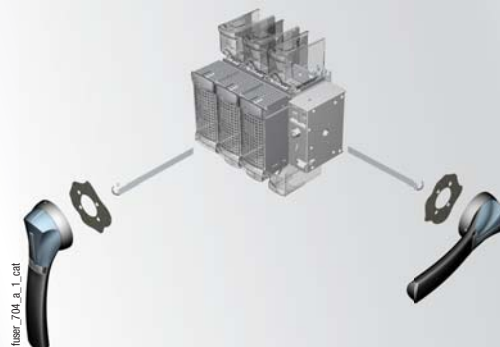
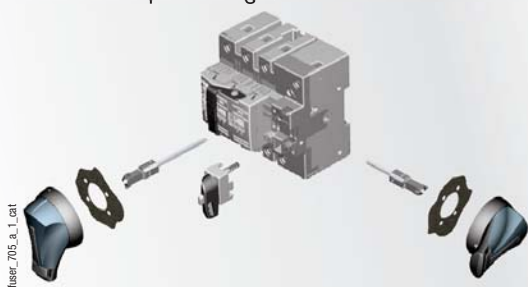


fuser\_301\_a

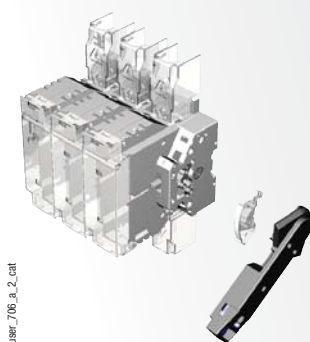
FUSERBLOC for solar applications

### ➤ What you need to know

- Along with the rating, FUSERBLOC is selected according to the fuse type and functional specifications. SOCOMEC FUSERBLOC can be equipped with **NFC, DIN** or **BS88** fuses.
- The INSTALFUSE® v2 software carries out sizing calculations for low-voltage electrical installations and their fuse protection.
- Whether it is 3 pole + switched neutral or 3 pole + solid neutral, the FUSERBLOC 20 to 32 A with **direct front operation** and **external operation** is the best suited solution in compact design.
- From 630 to 1250 A, the FUSERBLOC unit allows **direct** and **external front** or **right side operation** in 2, 3 or 4 poles.



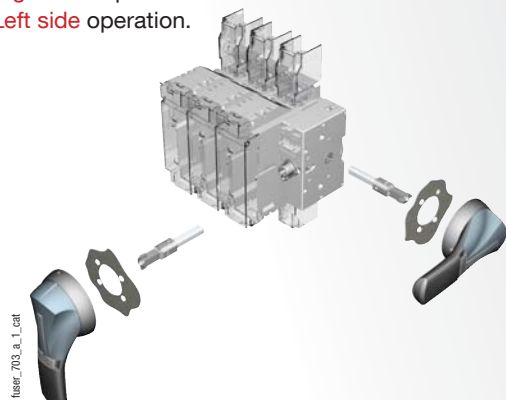
- From 32 to 400 A, the FUSERBLOC is available in 2, 3 or 4 poles with **direct side operation**.



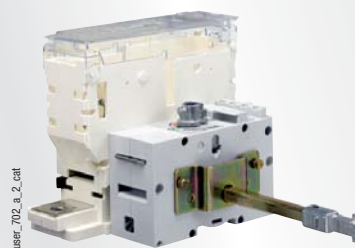
- FUSERBLOC is available in 3 and 4-pole versions within 2 types of enclosures:
  - **Steel enclosure** for **front** operation from 25 to 800 A, (NFC and DIN)
  - **Polyester enclosure** with **front and side operation** from 50 to 400 A (NFC and DIN).
  - For BS88 steel enclosed FUSERBLOC please consult us.



- With external operation, it is possible to operate the device in 3 ways:
  - **Front** operation.
  - **Right side** operation.
  - **Left side** operation.



- For ratings 20 to 400 A, the **flat mounting** kit provides a compact solution ideally suited to withdrawable applications.





## BS 88 - External front and side operation 20 to 160 A

| Rating (A)<br>Fuse size<br>Frame<br>size                     | Number of<br>poles        | Reference<br>Switch I-O | Reference<br>Changeover<br>Switch I-O-II | External<br>front<br>handle<br>I-O | TEST<br>External<br>front<br>handle<br>I-O TEST | External<br>right side<br>handle<br>I-O | Changeover<br>external<br>front handle<br>I-O-II | Shaft<br>extensions<br>for handle | Terminal<br>shrouds <sup>(3)</sup> | Additional<br>contact<br>holder for<br>U type AC | Integrated<br>solid<br>neutral<br>link |
|--|---------------------------|-------------------------|--|------------------------------------|---|---|--|-----------------------------------|------------------------------------|--|--|
| <b>20 A</b><br><b>A1</b><br><b>0</b>                         | 3 P                       | 3641 <b>3000</b>        | 3680 <b>3000</b>                         |                                    |   |   |  | 320 mm<br>1401 <b>0532</b>        |                                    | 3999 <b>0710<sup>(2)</sup></b>                   |  |
|  | 3 P + switched<br>neutral | 3641 <b>4000</b>        | 3680 <b>4000</b>                         |                                    |   |   |  |                                   |                                    |  |  |
|  | 3 P + solid<br>neutral    | 3641 <b>5000</b>        |  |                                    |   |   |  |                                   |                                    |  |  |
| <b>CD 32 A</b><br><b>A1</b><br><b>0</b>                      | 3 P                       | 3641 <b>3001</b>        | 3680 <b>3001</b>                         | Black<br>S1 type<br>IP55           | Black<br>S1 type<br>IP65                        | Black<br>S1 type<br>IP55                | Black<br>S1 type<br>IP55                         |                                   |                                    |  |  |
|  | 3 P + switched<br>neutral | 3641 <b>4001</b>        | 3680 <b>4001</b>                         |                                    |   |   |  |                                   |                                    |  |  |
|  | 3 P + solid<br>neutral    | 3641 <b>5001</b>        |  |                                    |   |   |  |                                   |                                    |  |  |
| <b>32 A</b><br><b>A1</b><br><b>11</b>                        | 2 P                       | 3841 <b>2003</b>        |  | 1414 <b>2111</b>                   | 1414 <b>2115</b>                                | 1418 <b>2111</b>                        | 1414 <b>2113</b>                                 |                                   | Standard                           |  |  |
|  | 3 P                       | 3841 <b>3003</b>        | 3880 <b>3003</b>                         |                                    |   |   |  |                                   |                                    |  |  |
|  | 4 P                       | 3841 <b>6003</b>        | 3880 <b>6003</b>                         |                                    |   |   |  |                                   |                                    |  |  |
| <b>63 A</b><br><b>A2-A3</b><br><b>12</b>                     | 2 P                       | 3841 <b>2006</b>        |  |                                    |   |   |  |                                   |                                    |  |  |
|  | 3 P                       | 3841 <b>3006</b>        | 3880 <b>3006</b>                         |                                    |   |   |  |                                   |                                    |  |  |
|  | 4 P                       | 3841 <b>6006</b>        | 3880 <b>6006</b>                         |                                    |   |   |  |                                   |                                    |  |  |
| <b>100 A</b><br><b>A4<sup>(4)</sup></b><br><b>13</b>         | 2 P                       | 3841 <b>2010</b>        |  |                                    |   |   |  | 320 mm<br>1400 <b>1032</b>        |                                    | 3999 <b>0600<sup>(2)</sup></b>                   | 3829 <b>9310</b>                       |
|  | 3 P                       | 3841 <b>3010</b>        | 3880 <b>3010</b>                         |                                    |   |   |  |                                   |                                    |  |  |
|  | 4 P                       | 3841 <b>6010</b>        | 3880 <b>6010</b>                         |                                    |   |   |  |                                   |                                    |  |  |
| <b>CD 160 A</b><br><b>A3-A4<sup>(4)</sup></b><br><b>13 A</b> | 2 P                       | 3841 <b>2014</b>        |  | Black<br>S2 type<br>IP55           | Black<br>S2 type<br>IP65                        | Black<br>S2 type<br>IP55                | Black<br>S2 type<br>IP55                         |                                   |                                    |  |  |
|  | 3 P                       | 3841 <b>3014</b>        | 3880 <b>3014</b>                         |                                    |   |   |  |                                   |                                    |  |  |
|  | 4 P                       | 3841 <b>6014</b>        | 3880 <b>6014</b>                         |                                    |   |   |  |                                   |                                    |  |  |
| <b>160 A</b><br><b>A4</b><br><b>14</b>                       | 2 P                       | 3841 <b>2015</b>        |  | Red/Yellow<br>S2 type<br>IP65      | Red/Yellow<br>S2 type<br>IP65                   | Red/Yellow<br>S2 type IP65              | Red/Yellow<br>S2 type<br>IP65                    |                                   |                                    |  | 3829 <b>9320</b>                       |
|  | 3 P                       | 3841 <b>3015</b>        | 3880 <b>3015</b>                         |                                    |   |   |  |                                   |                                    |  |  |
|  | 4 P                       | 3841 <b>6015</b>        | 3880 <b>6015</b>                         |                                    |   |   |  |                                   |                                    |  |  |
| <b>160 A</b><br><b>B1-B2</b><br><b>14</b>                    | 2 P                       | 3841 <b>2016</b>        |  |                                    |   |   |  |                                   |                                    |  |  |
|  | 3 P                       | 3841 <b>3016</b>        | 3880 <b>3016</b>                         |                                    |   |   |  |                                   |                                    |  |  |
|  | 4 P                       | 3841 <b>6016</b>        | 3880 <b>6016</b>                         |                                    |   |   |  |                                   |                                    |  |  |

(1) Standard.

(2) 4 auxiliary contacts as standard without support (the support is for 4 additional auxiliary contacts).

(3) Top/bottom.

(4) For fuse size A4: max diameter 31 mm.

fuserr\_05f4\_a\_2\_catt



## BS 88 - External front and side operation 200 to 1250 A

| Rating (A)<br>Fuse size<br>Frame size                        | Number of poles | Reference Switch I-O | Reference Changeover Switch I-O-II | External front handle I-O      | TEST External front handle I-O TEST | External right side handle I-O | Changeover external front handle I-O-II | Shaft extensions for handle | Terminal shrouds <sup>(3)</sup> | Additional contact holder for U type AC | Integrated solid neutral link |
|--|-----------------|----------------------|------------------------------------|--------------------------------|-------------------------------------|--------------------------------|---|-----------------------------|---------------------------------|---|-------------------------------|
| <b>CD 200 A</b><br><b>A3-A4<sup>(5)</sup></b><br><b>13 A</b> | 2 P             | 3841 <b>2019</b>     |                                    |                                |                                     |                                |   |                             | 2 P<br>3998 <b>2016</b>         |   | 3829 <b>9320</b>              |
|  | 3 P             | 3841 <b>3019</b>     | 3880 <b>3019</b>                   |                                |                                     |                                |   | 3 P<br>3998 <b>3016</b>     |                                 |   |                               |
|  | 4 P             | 3841 <b>6019</b>     | 3880 <b>6019</b>                   |                                |                                     |                                |   | 4 P<br>3998 <b>4016</b>     |                                 |   |                               |
| <b>200 A</b><br><b>B1-B2</b><br><b>15</b>                    | 2 P             | 3841 <b>2021</b>     |                                    |                                |                                     |                                |   |                             |                                 | 3999 <b>0600<sup>(4)</sup></b>          | 3829 <b>9325</b>              |
|  | 3 P             | 3841 <b>3021</b>     | 3880 <b>3021</b>                   | Black<br>S2 type<br>IP55       | Black<br>S2 type<br>IP65            | Black<br>S2 type<br>IP55       | Black<br>S2 type<br>IP55                |                             |                                 |   |                               |
|  | 4 P             | 3841 <b>6021</b>     | 3880 <b>6021</b>                   |                                |                                     |                                |   |                             |                                 |   |                               |
| <b>250 A</b><br><b>B1-B2-B3</b><br><b>15</b>                 | 2 P             | 3841 <b>2024</b>     |                                    | 1421 <b>2111<sup>(1)</sup></b> | 1423 <b>2115<sup>(1)</sup></b>      | 1425 <b>2111<sup>(1)</sup></b> | 1421 <b>2113<sup>(1)</sup></b>          | 320 mm<br>1400 <b>1032</b>  | 2 P<br>3998 <b>2025</b>         |   | 3829 <b>9339</b>              |
|  | 3 P             | 3841 <b>3024</b>     | 3880 <b>3024</b>                   | Red/Yellow<br>S2 type<br>IP65  | Red/Yellow<br>S2 type<br>IP65       | Red/Yellow<br>S2 type<br>IP65  | Red/Yellow<br>S2 type<br>IP65           |                             | 3 P<br>3998 <b>3025</b>         |   |                               |
|  | 4 P             | 3841 <b>6024</b>     | 3880 <b>6024</b>                   |                                |                                     |                                |   |                             | 4 P<br>3998 <b>4025</b>         |   |                               |
| <b>315 A</b><br><b>B1-B2-B3</b><br><b>16</b>                 | 2 P             | 3841 <b>2032</b>     |                                    | 1424 <b>2111</b>               | 1424 <b>2115</b>                    | 1428 <b>2111</b>               | 1424 <b>2113</b>                        |                             |                                 |   |                               |
|  | 3 P             | 3841 <b>3032</b>     | 3880 <b>3032</b>                   |                                |                                     |                                |   |                             |                                 |   |                               |
|  | 4 P             | 3841 <b>6032</b>     | 3880 <b>6032</b>                   |                                |                                     |                                |   |                             |                                 |   |                               |
| <b>400 A</b><br><b>B1-B2-</b><br><b>B3-B4</b><br><b>16</b>   | 2 P             | 3841 <b>2039</b>     |                                    |                                |                                     |                                |   |                             |                                 |   |                               |
|  | 3 P             | 3841 <b>3039</b>     | 3880 <b>3039</b>                   |                                |                                     |                                |   |                             |                                 |   |                               |
|  | 4 P             | 3841 <b>6039</b>     | 3880 <b>6039</b>                   |                                |                                     |                                |   |                             |                                 |   |                               |
| <b>630 A</b><br><b>C1-C2</b><br><b>17</b>                    | 2 P             | 3821 <b>2063</b>     |                                    | Black<br>S3 type<br>IP65       |                                     |                                |   |                             |                                 | 3999 <b>0600<sup>(4)</sup></b>          | 3829 <b>9308</b>              |
|  | 3 P             | 3821 <b>3063</b>     |                                    | 1433 <b>3111<sup>(1)</sup></b> |                                     | Black<br>S3 type<br>IP65       |   | 2 P<br>3898 <b>2080</b>     |                                 |   |                               |
|  | 4 P             | 3821 <b>6063</b>     |                                    | Red/Yellow<br>S3 type<br>IP65  |                                     | 1437 <b>3111<sup>(1)</sup></b> |   | 3 P<br>3898 <b>3080</b>     |                                 |   |                               |
| <b>800 A</b><br><b>C1-C2-C3</b><br><b>17</b>                 | 2 P             | 3821 <b>2080</b>     |                                    | 1434 <b>3111</b>               |                                     | Red/Yellow<br>S3 type<br>IP65  |   | 320 mm<br>1400 <b>1232</b>  | 4 P<br>3898 <b>4080</b>         |   |                               |
|  | 3 P             | 3821 <b>3080</b>     |                                    |                                |                                     |                                |   |                             |                                 |   |                               |
|  | 4 P             | 3821 <b>6080</b>     |                                    |                                |                                     |                                |   |                             |                                 |   |                               |
| <b>1250 A</b><br><b>D1</b><br><b>18</b>                      | 2 P             | 3821 <b>2120</b>     |                                    | Black<br>S4 type<br>IP65       |                                     | 1438 <b>3111</b>               |   |                             | 3898 <b>2120</b>                |   | 3829 <b>9312</b>              |
|  | 3 P             | 3821 <b>3120</b>     |                                    |                                |                                     |                                |   |                             | 3898 <b>3120</b>                |   |                               |
|  | 4 P             | 3821 <b>6120</b>     |                                    | 1443 <b>3111<sup>(1)</sup></b> |                                     |                                |   |                             | 3898 <b>4120</b>                |   |                               |

- (1) Standard.  
 (2) 4 auxiliary contacts as standard without support (the support is for 4 additional auxiliary contacts).  
 (3) Top/bottom.  
 (4) 8 AC as standard without support (the support is for 8 additional auxiliary contacts).  
 (5) For fuse size A4: max diameter 31mm



## BS 88 - Direct operation 20 to 160 A

| Rating (A)<br>Fuse size<br>Frame size                        | Number of poles        | Reference<br>Side direct operation | Reference<br>Direct front operation | Side direct handle operation switch | Direct front handle       | Auxiliary contacts   | Terminal shrouds <sup>(3)</sup>   | Cage terminals                                     | Handle key interlocking accessories <sup>(2)</sup> |
|--|------------------------|------------------------------------|-------------------------------------|-------------------------------------|---------------------------|--|---|--|--|
| <b>20 A</b><br><b>A1</b><br><b>0</b>                         | 3 P                    |                                    | 3641 <b>3000</b>                    | Black<br>3629 <b>4012</b>           | Black<br>3629 <b>4012</b> | 1 contact<br>NO/NC<br>A type<br>3999 <b>0001</b> <sup>(1)</sup>  | Standard  | Standard   |  |
|  | 3 P + switched neutral |                                    | 3641 <b>4000</b>                    |                                     |                           |  |   |  |  |
|  | 3 P + solid neutral    |                                    | 3641 <b>5000</b>                    |                                     |                           |  |   |  |  |
| <b>CD 32 A</b><br><b>A1</b><br><b>0</b>                      | 3 P                    |                                    | 3641 <b>3001</b>                    |                                     |                           |  |   |  |  |
|  | 3 P + switched neutral |                                    | 3641 <b>4001</b>                    |                                     |                           |  |   |  |  |
|  | 3 P + solid neutral    |                                    | 3641 <b>5001</b>                    |                                     |                           |  |   |  |  |
| <b>32 A</b><br><b>A1</b><br><b>1</b>                         | 2 P                    | 3625 <b>2003</b>                   | consult us                          | Black<br>3629 <b>7900</b>           |                           |  |   |  | 3629 <b>7903</b>                                   |
|  | 3 P                    | 3625 <b>3003</b>                   | consult us                          |                                     |                           |  |   |  |  |
|  | 4 P                    | 3625 <b>6003</b>                   | consult us                          |                                     |                           |  |   |  |  |
| <b>63 A</b><br><b>A2-A3</b><br><b>2</b>                      | 2 P                    | 3625 <b>2006</b>                   | consult us                          | Black<br>3629 <b>7901</b>           |                           |  |   |  |  |
|  | 3 P                    | 3625 <b>3006</b>                   | consult us                          |                                     |                           |  |   |  |  |
|  | 4 P                    | 3625 <b>6006</b>                   | consult us                          |                                     |                           |  |   |  |  |
| <b>100 A</b><br><b>A4</b> <sup>(4)</sup><br><b>3</b>         | 2 P                    | 3625 <b>2010</b>                   | consult us                          | Black<br>3629 <b>7901</b>           |                           | 1 contact<br>NO/NC<br>A type<br>3999 <b>0021</b> <sup>(1)</sup>  |   |  |  |
|  | 3 P                    | 3625 <b>3010</b>                   | consult us                          |                                     |                           |  |   |  |  |
|  | 4 P                    | 3625 <b>6010</b>                   | consult us                          |                                     |                           |  |   |  |  |
| <b>CD 160 A</b><br><b>A3-A4</b> <sup>(4)</sup><br><b>3 A</b> | 2 P                    | 3625 <b>2014</b>                   | consult us                          | Black<br>3629 <b>7901</b>           |                           | 2 contacts<br>NO/NC<br>A type<br>3999 <b>0022</b> <sup>(1)</sup> | 2 P<br>3998 <b>2016</b><br>3 P<br>3998 <b>3016</b><br>4 P<br>3998 <b>4016</b> | 3 P<br>5400 <b>3016</b><br>4 P<br>5400 <b>4016</b> | 3629 <b>7913</b>                                   |
|  | 3 P                    | 3625 <b>3014</b>                   | consult us                          |                                     |                           |  |   |  |  |
|  | 4 P                    | 3625 <b>6014</b>                   | consult us                          |                                     |                           |  |   |  |  |
| <b>160 A</b><br><b>A4</b><br><b>4</b>                        | 2 P                    | 3625 <b>2015</b>                   | consult us                          | Black<br>3629 <b>7901</b>           |                           |  |   |  |  |
|  | 3 P                    | 3625 <b>3015</b>                   | consult us                          |                                     |                           |  |   |  |  |
|  | 4 P                    | 3625 <b>6015</b>                   | consult us                          |                                     |                           |  |   |  |  |
| <b>160 A</b><br><b>B1-B2</b><br><b>4</b>                     | 2 P                    | 3625 <b>2016</b>                   | consult us                          | Black<br>3629 <b>7901</b>           |                           |  |   |  |  |
|  | 3 P                    | 3625 <b>3016</b>                   | consult us                          |                                     |                           |  |   |  |  |
|  | 4 P                    | 3625 <b>6016</b>                   | consult us                          |                                     |                           |  |   |  |  |

(1) Max. 2 contacts.

(2) Lock not included.

(3) Top/bottom.

(4) For fuse size A4: max diameter 31 mm.

fuscr\_230\_a\_1\_cat



## BS 88 - Direct operation 200 to 400 A

| Rating (A)<br>Fuse size<br>Frame size                         | Number of poles | Reference<br>Side direct operation | Reference<br>Direct front operation | Side direct handle operation switch | Direct front handle | Auxiliary contacts  | Terminal shrouds <sup>(3)</sup>   | Cage terminals                                     | Handle key interlocking accessories <sup>(2)</sup> |
|---|-----------------|------------------------------------|-------------------------------------|-------------------------------------|---------------------|---|---|--|--|
| <b>CD 200 A</b><br><b>A3-A4</b> <sup>(4)</sup><br><b>13 a</b> | 2 P             | 3625 <b>2019</b>                   | consult us                          | Black<br>3629 <b>7901</b>           | Consult us          | 1 contact<br>NO/NC<br>A type<br>3999 <b>0021</b> <sup>(1)</sup><br><br>2 contacts<br>NO/NC<br>A type<br>3999 <b>0022</b> <sup>(1)</sup> | 2 P<br>3998 <b>2016</b><br>3 P<br>3998 <b>3016</b><br>4 P<br>3998 <b>4016</b> | 3 P<br>5400 <b>3016</b><br>4 P<br>5400 <b>4016</b> | 3629 <b>7913</b>                                   |
|   | 3 P             | 3625 <b>3019</b>                   | consult us                          |                                     |                     |   |   |  |  |
|   | 4 P             | 3625 <b>6019</b>                   | consult us                          |                                     |                     |   |   |  |  |
| <b>200 A</b><br><b>B1-B2</b><br><b>5</b>                      | 2 P             | 3625 <b>2021</b>                   | consult us                          |                                     |                     |   |   |  |  |
|   | 3 P             | 3625 <b>3021</b>                   | consult us                          |                                     |                     |   |   |  |  |
|   | 4 P             | 3625 <b>6021</b>                   | consult us                          |                                     |                     |   |   |  |  |
| <b>250 A</b><br><b>B1-B2-B3</b><br><b>5</b>                   | 2 P             | 3625 <b>2024</b>                   | consult us                          |                                     |                     |   |   |  |  |
|   | 3 P             | 3625 <b>3024</b>                   | consult us                          |                                     |                     |   |   |  |  |
|   | 4 P             | 3625 <b>6024</b>                   | consult us                          |                                     |                     |   |   |  |  |
| <b>315 A</b><br><b>B1-B2-B3</b><br><b>6</b>                   | 2 P             | 3625 <b>2032</b>                   | consult us                          |                                     |                     |   |   |  |  |
|   | 3 P             | 3625 <b>3032</b>                   | consult us                          |                                     |                     |   |   |  |  |
|   | 4 P             | 3625 <b>6032</b>                   | consult us                          |                                     |                     |   |   |  |  |
| <b>400 A</b><br><b>B1-B2-</b><br><b>B3-B4</b><br><b>6</b>     | 2 P             | 3625 <b>2039</b>                   | consult us                          |                                     |                     |   |   |  |  |
|   | 3 P             | 3625 <b>3039</b>                   | consult us                          |                                     |                     |   |   |  |  |
|   | 4 P             | 3625 <b>6039</b>                   | consult us                          |                                     |                     |   |   |  |  |

(1) Max. 2 contacts.

(2) Lock not included.

(3) Top/bottom.

(4) For fuse size A4: max diameter 31 mm.

fuscr\_416\_a\_1\_cat



## BS 88 - Direct operation 630 to 1250 A

| Rating (A)<br>Fuse size<br>Frame size        | Number of poles | Reference<br>Side direct operation | Reference<br>Direct front operation | Side direct handle operation switch | Direct front handle       | Auxiliary contacts   | Terminal shrouds <sup>(3)</sup>   | Cage terminals | Handle key interlocking accessories <sup>(2)</sup> |                  |
|--|-----------------|------------------------------------|-------------------------------------|-------------------------------------|---------------------------|--|---|----------------|--|------------------|
| <b>630 A</b><br><b>C1-C2</b><br><b>17</b>    | 2 P             | 3821 <b>2063</b>                   | 3821 <b>2063</b>                    | Black<br>3899 <b>7911</b>           | Black<br>3899 <b>6011</b> | 1 contact NO<br>U type<br>3999 <b>0701</b> <sup>(1)</sup><br><br>1 contact NO<br>U type<br>3999 <b>0702</b> <sup>(1)</sup> | 2 P<br>3898 <b>2080</b><br>3 P<br>3898 <b>3080</b><br>4 P<br>3898 <b>4080</b> |                |  |                  |
|  | 3 P             | 3821 <b>3063</b>                   | 3821 <b>3063</b>                    |                                     |                           |  |   |                |  |                  |
|  | 4 P             | 3821 <b>6063</b>                   | 3821 <b>6063</b>                    |                                     |                           |  |   |                |  |                  |
| <b>800 A</b><br><b>C1-C2-C3</b><br><b>17</b> | 2 P             | 3821 <b>2080</b>                   | 3821 <b>2080</b>                    |                                     |                           |  |   |                |  |                  |
|  | 3 P             | 3821 <b>3080</b>                   | 3821 <b>3080</b>                    |                                     |                           |  |   |                |  |                  |
|  | 4 P             | 3821 <b>6080</b>                   | 3821 <b>6080</b>                    |                                     |                           |  |   |                |  |                  |
| <b>1250 A</b><br><b>D1</b><br><b>18</b>      | 2 P             | 3821 <b>2120</b>                   | 3821 <b>2120</b>                    |                                     | Black<br>3899 <b>7011</b> |  |   |                |  | 3898 <b>2120</b> |
|  | 3 P             | 3821 <b>3120</b>                   | 3821 <b>3120</b>                    |                                     |                           |  |   |                |  | 3898 <b>3120</b> |
|  | 4 P             | 3821 <b>6120</b>                   | 3821 <b>6120</b>                    |                                     |                           |  |   |                |  | 3898 <b>4120</b> |

(1) Max. number of U type auxiliary contact is 8.

(2) Lock not included.

(3) Top/bottom.

fuse\_556\_a\_2\_cat



## NFC and DIN

### External front and right side operation

### 25 to 125 A

| Rating (A) / Fuse / Frame size     | No. of poles         | Switch I-O-TEST                 | Changeover switch I-O-II | External front handle               | TEST external front handle          | External right side handle | Changeover external front handle | Shaft for external handle                 | Auxiliary contacts <sup>(2)</sup>       | Terminal shrouds <sup>(1)</sup> | Integrated solid neutral link |                                     |                                     |
|------------------------------------|----------------------|---------------------------------|--------------------------|-------------------------------------|-------------------------------------|----------------------------|----------------------------------|---|---|---------------------------------|-------------------------------|-------------------------------------|-------------------------------------|
| <b>25 A</b><br><b>10 x 38 0</b>    | 3 P                  | 3631 <b>3002</b> <sup>(1)</sup> | 3670 <b>3002</b>         | S1 type                             | S1 type                             |                            |                                  |   |   |                                 |                               |                                     |                                     |
|                                    | 3 P + switch neutral | 3631 <b>4002</b> <sup>(1)</sup> | 3670 <b>4002</b>         |                                     |                                     |                            |                                  |   |   |                                 |                               |                                     |                                     |
|                                    | 3 P + solid neutral  | 3631 <b>5002</b> <sup>(1)</sup> |                          |                                     |                                     |                            |                                  |   |   |                                 |                               |                                     |                                     |
| <b>CD 32 A</b><br><b>10 x 38 0</b> | 3 P                  | 3631 <b>3003</b>                | 3670 <b>3003</b>         | Black IP55                          | Black IP65                          |                            |                                  | 320 mm<br>1401 <b>0532</b>                | U type<br>1 contact<br>3999 <b>0710</b> |                                 |                               |                                     |                                     |
|                                    | 3 P + switch neutral | 3631 <b>4003</b>                | 3670 <b>4003</b>         | 1411 <b>2111</b>                    | 1413 <b>2115</b>                    |                            |                                  |   |   |                                 |                               |                                     |                                     |
|                                    | 3 P + solid neutral  | 3631 <b>5003</b>                |                          | Red/Yellow IP65<br>1414 <b>2111</b> | Red/Yellow IP65<br>1414 <b>2115</b> |                            |                                  |   |   |                                 |                               |                                     |                                     |
| <b>32 A</b><br><b>14 x 51 0</b>    | 3 P                  | 3631 <b>3004</b> <sup>(1)</sup> | 3670 <b>3004</b>         |                                     |                                     |                            |                                  |   |   |                                 |                               |                                     |                                     |
|                                    | 3 P + switch neutral | 3631 <b>4004</b> <sup>(1)</sup> | 3670 <b>4004</b>         |                                     |                                     |                            |                                  |   |   |                                 |                               |                                     |                                     |
|                                    | 3 P + solid neutral  | 3631 <b>5004</b> <sup>(1)</sup> |                          |                                     |                                     |                            |                                  |   |   |                                 |                               |                                     |                                     |
| <b>50 A</b><br><b>14 x 51 11</b>   | 2 P                  | 3831 <b>2005</b>                |                          | S1 type                             | S1 type                             |                            |                                  |   |   |                                 |                               |                                     |                                     |
|                                    | 3 P                  | 3831 <b>3005</b> <sup>(1)</sup> | 3870 <b>3005</b>         | Black IP65<br>1411 <b>2111</b>      | Black IP65<br>1413 <b>2115</b>      |                            |                                  |   |   |                                 |                               |                                     |                                     |
|                                    | 4 P                  | 3831 <b>6005</b> <sup>(1)</sup> | 3870 <b>6005</b>         |                                     |                                     |                            |                                  |   |   |                                 |                               |                                     |                                     |
| <b>63 A</b><br><b>00C 12</b>       | 2 P                  | 3831 <b>2006</b>                |                          | Red/Yellow IP65<br>1414 <b>2111</b> | Red/Yellow IP65<br>1414 <b>2115</b> |                            |                                  |   |   |                                 |                               |                                     |                                     |
|                                    | 3 P                  | 3831 <b>3006</b> <sup>(1)</sup> | 3870 <b>3006</b>         |                                     |                                     |                            |                                  |   |   |                                 |                               |                                     |                                     |
|                                    | 4 P                  | 3831 <b>6006</b> <sup>(1)</sup> | 3870 <b>6006</b>         |                                     |                                     |                            |                                  |   |   |                                 |                               |                                     |                                     |
| <b>100 A</b><br><b>22 x 58 13</b>  | 2 P                  | 3831 <b>2010</b>                |                          | S2 type                             | S2 type                             |                            |                                  | 320 mm<br>1400 <b>1032</b> <sup>(2)</sup> | U type<br>1 contact<br>3999 <b>0600</b> |                                 |                               |                                     |                                     |
|                                    | 3 P                  | 3831 <b>3010</b> <sup>(1)</sup> | 3870 <b>3010</b>         |                                     |                                     |                            |                                  |   |   |                                 |                               |                                     |                                     |
|                                    | 4 P                  | 3831 <b>6010</b> <sup>(1)</sup> | 3870 <b>6010</b>         |                                     |                                     |                            |                                  |   |   |                                 |                               |                                     |                                     |
| <b>125 A</b><br><b>22 x 58 13</b>  | 2 P                  | 3831 <b>2011</b>                |                          | Black IP65                          | Black IP55                          |                            |                                  |   |   |                                 |                               |                                     |                                     |
|                                    | 3 P                  | 3831 <b>3011</b>                | 3870 <b>3010</b>         | 1421 <b>2111</b>                    | 1423 <b>2115</b>                    |                            |                                  |   |   |                                 |                               | 1425 <b>2111</b>                    | 1421 <b>2113</b>                    |
|                                    | 4 P                  | 3831 <b>6011</b>                | 3870 <b>6010</b>         | Red/Yellow IP65<br>1424 <b>2111</b> | Red/Yellow IP65<br>1424 <b>2115</b> |                            |                                  |   |   |                                 |                               | Red/Yellow IP65<br>1428 <b>2111</b> | Red/Yellow IP65<br>1424 <b>2113</b> |
| <b>125 A</b><br><b>00 13</b>       | 2 P                  | 3831 <b>2012</b>                |                          |                                     |                                     |                            |                                  |   |   |                                 |                               |                                     |                                     |
|                                    | 3 P                  | 3831 <b>3012</b>                | 3870 <b>3011</b>         |                                     |                                     |                            |                                  |   |   |                                 |                               |                                     |                                     |
|                                    | 4 P                  | 3831 <b>6012</b>                | 3870 <b>6011</b>         |                                     |                                     |                            |                                  |   |   |                                 |                               |                                     |                                     |

(1) Available enclosed (see page 494 "Enclosed fuse switches").

(2) Top/bottom.

(3) Maximum 4 contacts.

fuser\_548\_a\_1\_cat



## NFC and DIN

### External front and right side operation

### 160 to 1250 A

| Rating (A) / Fuse / Frame size         | No. of poles | Switch I-O                      | Changeover switch I-O-II | External front handle                  | TEST external front handle             | External right side handle             | Changeover external front handle       | Shaft for external handle            | Auxiliary contacts                           | Terminal shrouds <sup>(2)</sup>                          | Integrated solid neutral link |
|--|--------------|---------------------------------|--------------------------|--|--|--|--|--------------------------------------|--|--|-------------------------------|
| <b>160 A</b><br><b>00</b><br><b>13</b> | 2 P          | 3831 <b>2015</b>                |                          |  |  |  |  |                                      | U type                                       | 2 P  | 3829 <b>9320</b>              |
|  | 3 P          | 3831 <b>3015</b>                | 3870 <b>3015</b>         |  |  |  |  | 3998 <b>2016</b>                     |  |  |                               |
|  | 4 P          | 3831 <b>6015</b>                | 3870 <b>6015</b>         |  |  |  |  | 3998 <b>3016</b><br>3998 <b>4016</b> |  |  |                               |
| <b>160 A</b><br><b>0</b><br><b>14</b>  | 2 P          | 3831 <b>2016</b>                |                          | Type S2                                | Type S2                                | Type S2                                | Type S2                                | 320 mm<br>1400 <b>1032</b>           | 1 contact<br>3999 <b>0600</b> <sup>(3)</sup> | 2 P  | 3829 <b>9325</b>              |
|  | 3 P          | 3831 <b>3016</b> <sup>(1)</sup> | 3870 <b>3016</b>         | Black<br>IP55<br>1421 <b>2111</b>      | Black<br>IP65<br>1423 <b>2115</b>      | Black<br>IP55<br>1425 <b>2111</b>      | Black<br>IP55<br>1425 <b>2113</b>      |                                      |  | 3998 <b>2025</b><br>3998 <b>3016</b><br>3998 <b>4016</b> |                               |
|  | 4 P          | 3831 <b>6016</b> <sup>(1)</sup> | 3870 <b>6016</b>         |  |  |  |  |                                      |  |  |                               |
| <b>250 A</b><br><b>1</b><br><b>15</b>  | 2 P          | 3831 <b>2024</b>                |                          |  |  |  |  | 320 mm<br>1400 <b>1032</b>           | U type                                       | 2 P  | 3829 <b>9325</b>              |
|  | 3 P          | 3831 <b>3024</b> <sup>(1)</sup> | 3870 <b>3024</b>         | Red/Yellow<br>IP65<br>1424 <b>2111</b> | Red/Yellow<br>IP65<br>1424 <b>2115</b> | Red/Yellow<br>IP65<br>1428 <b>2111</b> | Red/Yellow<br>IP65<br>1428 <b>2113</b> |                                      |  | 3998 <b>2025</b><br>3998 <b>3025</b><br>3998 <b>4025</b> |                               |
|  | 4 P          | 3831 <b>6024</b> <sup>(1)</sup> | 3870 <b>6024</b>         |  |  |  |  |                                      |  |  |                               |
| <b>400 A</b><br><b>2</b><br><b>16</b>  | 2 P          | 3831 <b>2039</b>                |                          |  |  |  |  | 320 mm<br>1400 <b>1032</b>           | 1 contact<br>3999 <b>0600</b> <sup>(4)</sup> | 2 P  | 3829 <b>9339</b>              |
|  | 3 P          | 3831 <b>3039</b> <sup>(1)</sup> | 3870 <b>3039</b>         |  |  |  |  |                                      |  | 3998 <b>3025</b><br>3998 <b>4025</b>                     |                               |
|  | 4 P          | 3831 <b>6039</b> <sup>(1)</sup> | 3870 <b>6039</b>         |  |  |  |  |                                      |  |  |                               |
| <b>630 A</b><br><b>3</b><br><b>17</b>  | 2 P          | 3811 <b>2063</b>                |                          | Type S3                                |  |  |  | 320 mm<br>1400 <b>1232</b>           |  | 2 P  | 3829 <b>9308</b>              |
|  | 3 P          | 3811 <b>3063</b> <sup>(1)</sup> |                          | Black<br>IP65<br>1433 <b>3111</b>      |  |  |  |                                      |  | 3898 <b>2080</b><br>3898 <b>3080</b><br>3898 <b>4080</b> |                               |
|  | 4 P          | 3811 <b>6063</b> <sup>(1)</sup> |                          |  |  |  |  |                                      |  |  |                               |
| <b>800 A</b><br><b>3</b><br><b>17</b>  | 2 P          | 3811 <b>2080</b>                |                          |  |  | Type S3                                |  | 320 mm<br>1400 <b>1232</b>           |  | 2 P  | 3829 <b>9312</b>              |
|  | 3 P          | 3811 <b>3080</b>                |                          | Red/Yellow<br>IP65<br>1434 <b>3111</b> |  | Black<br>IP65<br>1437 <b>3111</b>      |  |                                      |  | 3898 <b>2120</b><br>3898 <b>3120</b><br>3898 <b>4120</b> |                               |
|  | 4 P          | 3811 <b>6080</b>                |                          |  |  |  |  |                                      |  |  |                               |
| <b>800 A</b><br><b>4</b><br><b>18</b>  | 2 P          | 3811 <b>2081</b>                |                          | Type S4                                |  |  |  | 320 mm<br>1400 <b>1232</b>           |  | 2 P  | 3829 <b>9312</b>              |
|  | 3 P          | 3811 <b>3081</b>                |                          | Black<br>IP65<br>1443 <b>3111</b>      |  | Red/Yellow<br>IP65<br>1438 <b>3111</b> |  |                                      |  | 3898 <b>2120</b><br>3898 <b>3120</b><br>3898 <b>4120</b> |                               |
|  | 4 P          | 3811 <b>6081</b>                |                          |  |  |  |  |                                      |  |  |                               |
| <b>1250 A</b><br><b>4</b><br><b>18</b> | 2 P          | 3811 <b>2120</b>                |                          |  |  |  |  | 320 mm<br>1400 <b>1232</b>           |  | 2 P  | 3829 <b>9312</b>              |
|  | 3 P          | 3811 <b>3120</b>                |                          | Red/Yellow<br>IP65<br>1444 <b>3111</b> |  |  |  |                                      |  | 3898 <b>2120</b><br>3898 <b>3120</b><br>3898 <b>4120</b> |                               |
|  | 4 P          | 3811 <b>6120</b>                |                          |  |  |  |  |                                      |  |  |                               |

(1) Available enclosed (see page 494 "Enclosed fuse switches").  
 (2) Top/bottom.  
 (3) Maximum 4 contacts.  
 (4) Maximum 8 contacts.



fuser\_039\_a\_1\_cat



## NFC and DIN - Direct operation 25 to 125 A

| Rating (A)<br>Fuse size<br>Frame size | No. of poles         | Direct side operation | Direct front operation | Direct handle                               | Auxiliary contacts  | Terminal shrouds | Cage terminals | Lock for fuse protection cover | Handle ley interlocking accessories <sup>(6)</sup> |
|---------------------------------------|----------------------|-----------------------|------------------------|---|---|------------------|----------------|--------------------------------|--|
| <b>25 A</b><br>10 x 38<br>0           | 3 P                  |                       | 3631 <b>3002</b>       | Black<br>3629 <b>4012</b> <sup>(1)(2)</sup> | A type<br>1 contact<br>NO/NC<br>3999 <b>0001</b> <sup>(3)</sup><br><br>A type<br>2 contacts<br>NO/NC<br>3999 <b>0002</b> <sup>(3)</sup> | Standard         | Standard       | Standard                       |  |
|                                       | 3 P + switch neutral |                       | 3631 <b>4002</b>       |   |   |                  |                |                                |  |
|                                       | 3 P + solid neutral  |                       | 3631 <b>5002</b>       |   |   |                  |                |                                |  |
| <b>CD 32 A</b><br>10 x 38<br>0        | 3 P                  |                       | 3631 <b>3003</b>       |   |   |                  |                |                                |  |
|                                       | 3 P + switch neutral |                       | 3631 <b>4003</b>       |   |   |                  |                |                                |  |
|                                       | 3 P + solid neutral  |                       | 3631 <b>5003</b>       |   |   |                  |                |                                |  |
| <b>32 A</b><br>14 x 51<br>0           | 3 P                  |                       | 3631 <b>3004</b>       |   |   |                  |                |                                |  |
|                                       | 3 P + switch neutral |                       | 3631 <b>4004</b>       |   |   |                  |                |                                |  |
|                                       | 3 P + solid neutral  |                       | 3631 <b>5004</b>       |   |   |                  |                |                                |  |
| <b>50 A</b><br>14 x 51<br>1           | 2 P                  | 3615 <b>2005</b>      | Consult us             |   |   |                  |                |                                |  |
|                                       | 3 P                  | 3615 <b>3005</b>      | Consult us             |   |   |                  |                |                                |  |
|                                       | 4 P                  | 3615 <b>6005</b>      | Consult us             |   |   |                  |                |                                |  |
| <b>63 A</b><br>00C<br>2               | 2 P                  | 3615 <b>2006</b>      | Consult us             |   |   |                  |                |                                |  |
|                                       | 3 P                  | 3615 <b>3006</b>      | Consult us             |   |   |                  |                |                                |  |
|                                       | 4 P                  | 3615 <b>6006</b>      | Consult us             |   |   |                  |                |                                |  |
| <b>100 A</b><br>22 x 58<br>3          | 2 P                  | 3615 <b>2010</b>      | Consult us             |   |   |                  |                |                                |  |
|                                       | 3 P                  | 3615 <b>3010</b>      | Consult us             |   |   |                  |                |                                |  |
|                                       | 4 P                  | 3615 <b>6010</b>      | Consult us             |   |   |                  |                |                                |  |
| <b>125 A</b><br>22 x 58<br>3          | 2 P                  | 3615 <b>2011</b>      | Consult us             |   |   |                  |                |                                |  |
|                                       | 3 P                  | 3615 <b>3011</b>      | Consult us             |   |   |                  |                |                                |  |
|                                       | 4 P                  | 3615 <b>6011</b>      | Consult us             |   |   |                  |                |                                |  |
| <b>125 A</b><br>00<br>3               | 2 P                  | 3615 <b>2012</b>      | Consult us             |   |   |                  |                |                                |  |
|                                       | 3 P                  | 3615 <b>3012</b>      | Consult us             |   |   |                  |                |                                |  |
|                                       | 4 P                  | 3615 <b>6012</b>      | Consult us             |   |   |                  |                |                                |  |

(1) Direct front operation.

(2) Standard.

(3) Maximum 2 contacts.

(4) Top or bottom.

(5) Direct right side operation.

(6) Locking using RONIS EL11AP lock (lock not included).



## NFC and DIN - Direct operation 160 to 400 A

| Rating (A)<br>Fuse size<br>Frame size | No. of poles | Direct side operation | Direct front operation | Direct handle                               | Auxiliary contacts   | Terminal shrouds   | Cage terminals                         | Lock for fuse protection cover                     | Handle ley interlocking accessories <sup>(5)</sup> |  |                  |
|---------------------------------------|--------------|-----------------------|------------------------|---|--|--|--|--|--|--|------------------|
| <b>160 A</b><br><b>00</b><br><b>3</b> | 2 P          | 3615 <b>2015</b>      | Consult us             | Black<br>3629 <b>7901</b> <sup>(4)(1)</sup> | A type<br>1 contact<br>NO/NC<br>3999 <b>0021</b> <sup>(2)</sup>  | 2 P<br>3998 <b>2016</b> <sup>(3)</sup>                           | 3 P<br>5400 <b>3016</b>                | 3999 <b>8912</b>                                   | 3629 <b>7913</b>                                   |  |                  |
|                                       | 3 P          | 3615 <b>3015</b>      | Consult us             |   |  | 3 P<br>3998 <b>3016</b> <sup>(3)</sup>                           |  |  |  | 4 P<br>5400 <b>4016</b>                | 3999 <b>8216</b> |
|                                       | 4 P          | 3615 <b>6015</b>      | Consult us             |   |  | 4 P<br>3998 <b>4016</b> <sup>(3)</sup>                           |  |  |  |  | 3999 <b>8316</b> |
| <b>160 A</b><br><b>0</b><br><b>4</b>  | 2 P          | 3615 <b>2016</b>      | Consult us             | Black<br>3629 <b>7901</b> <sup>(4)(1)</sup> |  | A type<br>2 contacts<br>NO/NC<br>3999 <b>0022</b> <sup>(2)</sup> | 2 P<br>3998 <b>2025</b> <sup>(3)</sup> | 3 P<br>5400 <b>3025</b><br>4 P<br>5400 <b>4025</b> |  | 3999 <b>8225</b>                       |                  |
|                                       | 3 P          | 3615 <b>3016</b>      | Consult us             |   |  |  |  |  |  | 3 P<br>3998 <b>3025</b> <sup>(3)</sup> | 3999 <b>8325</b> |
|                                       | 4 P          | 3615 <b>6016</b>      | Consult us             |   |  |  |  |  |  | 4 P<br>3998 <b>4025</b> <sup>(3)</sup> | 3999 <b>8425</b> |
| <b>250 A</b><br><b>1</b><br><b>5</b>  | 2 P          | 3615 <b>2024</b>      | Consult us             | Black<br>3629 <b>7901</b> <sup>(4)(1)</sup> | A type<br>2 contacts<br>NO/NC<br>3999 <b>0022</b> <sup>(2)</sup> |  | 2 P<br>3998 <b>3025</b> <sup>(3)</sup> | 3 P<br>5400 <b>3025</b><br>4 P<br>5400 <b>4025</b> |  | 3999 <b>8225</b>                       |                  |
|                                       | 3 P          | 3615 <b>3024</b>      | Consult us             |   |  |  |  |  |  | 3 P<br>3998 <b>3025</b> <sup>(3)</sup> | 3999 <b>8325</b> |
|                                       | 4 P          | 3615 <b>6024</b>      | Consult us             |   |  |  |  |  |  | 4 P<br>3998 <b>4025</b> <sup>(3)</sup> | 3999 <b>8425</b> |
| <b>400 A</b><br><b>2</b><br><b>6</b>  | 2 P          | 3615 <b>2039</b>      | Consult us             | Black<br>3629 <b>7901</b> <sup>(4)(1)</sup> |  | A type<br>2 contacts<br>NO/NC<br>3999 <b>0022</b> <sup>(2)</sup> | 2 P<br>3998 <b>3025</b> <sup>(3)</sup> | 3 P<br>5400 <b>3040</b><br>4 P<br>5400 <b>4040</b> |  | 3999 <b>8240</b>                       |                  |
|                                       | 3 P          | 3615 <b>3039</b>      | Consult us             |   |  |  |  |  | 3 P<br>3998 <b>3025</b> <sup>(3)</sup>             | 3999 <b>8340</b>                       |                  |
|                                       | 4 P          | 3615 <b>6039</b>      | Consult us             |   |  |  |  |  | 4 P<br>3998 <b>4025</b> <sup>(3)</sup>             | 3999 <b>8440</b>                       |                  |

(1) Standard.

(2) Maximum 2 contacts.

(3) Top/bottom.

(4) Direct right side operation.

(5) Locking using RONIS EL11AP lock (lock not included).



## NFC and DIN - Direct operation 630 to 1250 A

| Rating (A)<br>Fuse size<br>Frame size  | No. of poles | Direct side and front operation | Direct front handle                         | Direct side handle        | Auxiliary contacts   | Terminal shrouds                       |  |  |  |
|--|--------------|---------------------------------|---|---------------------------|--|--|--|--|--|
| <b>630 A</b><br><b>3</b><br><b>17</b>  | 2 P          | 3811 <b>2063</b>                | Black<br>3899 <b>6011</b> <sup>(1)(2)</sup> | Black<br>3899 <b>7911</b> | U type<br><br>1 contact NC<br>3999 <b>0701</b> <sup>(4)</sup><br><br>1 contact NO<br>3999 <b>0702</b> <sup>(4)</sup> | 2 P<br>3898 <b>2080</b> <sup>(3)</sup> |  |  |  |
|  | 3 P          | 3811 <b>3063</b>                |   |                           |  |  | 3 P<br>3898 <b>3080</b> <sup>(3)</sup>   |  |  |
|  | 4 P          | 3811 <b>6063</b>                |   |                           |  |  |  | 4 P<br>3898 <b>4080</b> <sup>(3)</sup> |  |
| <b>800 A</b><br><b>3</b><br><b>17</b>  | 2 P          | 3811 <b>2080</b>                | Black<br>3899 <b>7011</b> <sup>(1)(2)</sup> |                           |  | Black<br>3899 <b>7911</b>              | U type<br><br>1 contact NC<br>3999 <b>0701</b> <sup>(4)</sup><br><br>1 contact NO<br>3999 <b>0702</b> <sup>(4)</sup> |  | 2 P<br>3898 <b>2120</b> <sup>(3)</sup> |
|  | 3 P          | 3811 <b>3080</b>                |   |                           |  |  |  |  |  |
|  | 4 P          | 3811 <b>6080</b>                |   |                           |  |  |  | 4 P<br>3898 <b>4120</b> <sup>(3)</sup> |  |
| <b>800 A</b><br><b>4</b><br><b>18</b>  | 2 P          | 3811 <b>2081</b>                | Black<br>3899 <b>7011</b> <sup>(1)(2)</sup> | Black<br>3899 <b>7911</b> | U type<br><br>1 contact NC<br>3999 <b>0701</b> <sup>(4)</sup><br><br>1 contact NO<br>3999 <b>0702</b> <sup>(4)</sup> |  |  |  | 2 P<br>3898 <b>2120</b> <sup>(3)</sup> |
|  | 3 P          | 3811 <b>3081</b>                |   |                           |  |  |  |  |  |
|  | 4 P          | 3811 <b>6081</b>                |   |                           |  |  |  | 4 P<br>3898 <b>4120</b> <sup>(3)</sup> |  |
| <b>1250 A</b><br><b>4</b><br><b>18</b> | 2 P          | 3811 <b>2120</b>                | Black<br>3899 <b>7011</b> <sup>(1)(2)</sup> |                           |  | Black<br>3899 <b>7911</b>              | U type<br><br>1 contact NC<br>3999 <b>0701</b> <sup>(4)</sup><br><br>1 contact NO<br>3999 <b>0702</b> <sup>(4)</sup> |  | 2 P<br>3898 <b>2120</b> <sup>(3)</sup> |
|  | 3 P          | 3811 <b>3120</b>                |   |                           |  |  |  |  |  |
|  | 4 P          | 3811 <b>6120</b>                |   |                           |  |  |  | 4 P<br>3898 <b>4120</b> <sup>(3)</sup> |  |

(1) Direct front operation.

(2) Standard.

(3) Top/bottom.

(4) Maximum 8 contacts.

## FUSERBLOC - Accessories

### Direct handle



#### For front operation

| Rating (A)   | Frame size | Figure no. | Handle colour | Reference        |
|--------------|------------|------------|---------------|------------------|
| 20 ... 32    | 0          | 1          | Black         | 3629 <b>4012</b> |
| 20 ... 32    | 0          | 1          | Red           | 3629 <b>4013</b> |
| 32 ... 400   | 11 ... 16  | 2          | Black         | 3629 <b>7910</b> |
| 630 ... 800  | 17         | 2          | Black         | 3899 <b>6011</b> |
| 800 ... 1250 | 18         | 3          | Black         | 3899 <b>7011</b> |

#### For right side operation

| Rating (A)   | Frame size | Figure no. | Handle colour | Reference        |
|--------------|------------|------------|---------------|------------------|
| 32 ... 63    | 1/2        | 4          | Black         | 3629 <b>7900</b> |
| 100 ... 400  | 3 ... 6    | 4          | Black         | 3629 <b>7901</b> |
| 630 ... 1250 | 17 ... 18  | 5          | Black         | 1437 <b>7911</b> |

### External front operation handle



#### Padlockable handle in position 0

| Rating (A)   | Frame size | Handle type | Handle colour | Operation    | External IP <sup>(1)</sup> | Defeatable handle | Reference        |
|--------------|------------|-------------|---------------|--------------|----------------------------|-------------------|------------------|
| CD 25 ... 63 | 0/11/12    | S1          | Black         | I - 0        | IP55                       | Yes               | 1411 <b>2111</b> |
| CD 25 ... 63 | 0/11/12    | S1          | Black         | I - 0        | IP65                       | Yes               | 1413 <b>2111</b> |
| CD 25 ... 63 | 0/11/12    | S1          | Red/Yellow    | I - 0        | IP65                       | Yes               | 1414 <b>2111</b> |
| CD 25 ... 63 | 0/11/12    | S1          | Black         | I - 0 - Test | IP65                       | Yes               | 1413 <b>2115</b> |
| CD 25 ... 63 | 0/11/12    | S1          | Red/Yellow    | I - 0 - Test | IP65                       | Yes               | 1414 <b>2115</b> |
| 100 ... 400  | 13 ... 16  | S2          | Black         | I - 0        | IP55                       | Yes               | 1421 <b>2111</b> |
| 100 ... 400  | 13 ... 16  | S2          | Black         | I - 0        | IP65                       | Yes               | 1423 <b>2111</b> |
| 100 ... 400  | 13 ... 16  | S2          | Red/Yellow    | I - 0        | IP65                       | Yes               | 1424 <b>2111</b> |
| 100 ... 400  | 13 ... 16  | S2          | Black         | I - 0 - Test | IP55                       | Yes               | 1423 <b>2115</b> |
| 100 ... 400  | 13 ... 16  | S2          | Red/Yellow    | I - 0 - Test | IP65                       | Yes               | 1424 <b>2115</b> |
| 630 ... 800  | 17         | S3          | Black         | I - 0        | IP65                       | Yes               | 1433 <b>3111</b> |
| 630 ... 800  | 17         | S3          | Red/Yellow    | I - 0        | IP65                       | Yes               | 1434 <b>3111</b> |
| 800 ... 1250 | 18         | S4          | Black         | I - 0        | IP65                       | Yes               | 1443 <b>3111</b> |
| 800 ... 1250 | 18         | S4          | Red/Yellow    | I - 0        | IP65                       | Yes               | 1444 <b>3111</b> |

(1) IP: Degree of protection according to standard IEC 60529.

#### Padlockable handle in position 0 and I

| Rating (A)   | Frame size | Handle type | Handle colour | External IP <sup>(1)</sup> | Reference        |
|--------------|------------|-------------|---------------|----------------------------|------------------|
| CD 25 ... 63 | 0/11/12    | S1          | Black         | IP65                       | 1413 <b>2311</b> |
| 100 ... 400  | 13 ... 16  | S2          | Black         | IP65                       | 1423 <b>2311</b> |

(1) IP: Degree of protection according to standard IEC 60529.

### External right side operation handle



| Rating (A)   | Frame size | Handle type | Handle colour | External IP <sup>(1)</sup> | Reference        |
|--------------|------------|-------------|---------------|----------------------------|------------------|
| CD 25 ... 63 | 0/11/12    | S1          | Black         | IP55                       | 1415 <b>2111</b> |
| CD 25 ... 63 | 0/11/12    | S1          | Black         | IP65                       | 1417 <b>2111</b> |
| CD 25 ... 63 | 0/11/12    | S1          | Red/Yellow    | IP65                       | 1418 <b>2111</b> |
| 100 ... 400  | 13 ... 16  | S2          | Black         | IP55                       | 1425 <b>2111</b> |
| 100 ... 400  | 13 ... 16  | S2          | Black         | IP65                       | 1427 <b>2111</b> |
| 100 ... 400  | 13 ... 16  | S2          | Red/Yellow    | IP65                       | 1428 <b>2111</b> |
| 630 ... 1250 | 17/18      | S3          | Black         | IP65                       | 1437 <b>3111</b> |
| 630 ... 1250 | 17/18      | S3          | Red/Yellow    | IP65                       | 1438 <b>3111</b> |

(1) IP: Degree of protection according to standard IEC 60529.

**External front handle with metal tab**



| Rating (A)   | Frame size | Handle type | Handle colour | External IP <sup>(1)</sup> | Defeatable handle | Reference        |
|--------------|------------|-------------|---------------|----------------------------|-------------------|------------------|
| CD 25 ... 63 | 0/11/12    | S1          | Black         | IP65                       | Yes               | 141D <b>2911</b> |
| CD 25 ... 63 | 0/11/12    | S1          | Red/Yellow    | IP65                       | Yes               | 141E <b>2911</b> |
| 100 ... 400  | 13 ... 16  | S2          | Black         | IP65                       | Yes               | 142D <b>2911</b> |
| 100 ... 400  | 13 ... 16  | S2          | Red/Yellow    | IP65                       | Yes               | 142E <b>2911</b> |
| 600...800    | 17         | S3          | Black         | IP65                       | Yes               | 143D <b>3911</b> |
| 600...800    | 17         | S3          | Red/Yellow    | IP65                       | Yes               | 143E <b>3911</b> |
| 800 ... 1250 | 18         | S4          | Black         | IP65                       | Yes               | 144D <b>3911</b> |
| 800 ... 1250 | 18         | S4          | Red/Yellow    | IP65                       | Yes               | 144E <b>3911</b> |

(1) IP: Degree of protection according to standard IEC 60529.

**S type handle adapter**



**Use**

Enables S type handles to be fitted in place of existing older style SOCOMEC handles. Adapter can also be utilised as a spacer to increase the distance between the panel door and the handle lever.

**Dimensions**

Adds 12 mm to the depth.

| Handle colour | To be ordered in multiples of | External IP <sup>(1)</sup> | Reference        |
|---------------|-------------------------------|----------------------------|------------------|
| Black         | 10                            | IP65                       | 1493 <b>0000</b> |

(1) IP: Degree of protection according to standard IEC 60529.

**Alternative S-type handle cover colours**

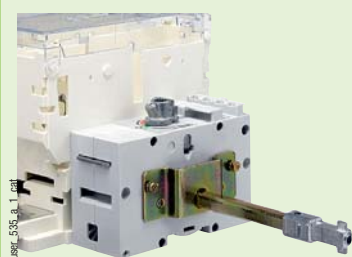


**Use**

For single lever handles type S1, S2, S3 and double arms lever handle, type S4.  
Other colours: consult us.

| Handle colour | To be ordered in multiples of | Handle          | Reference        |
|---------------|-------------------------------|-----------------|------------------|
| Light grey    | 50                            | Type S1, S2, S3 | 1401 <b>0001</b> |
| Dark grey     | 50                            | Type S1, S2, S3 | 1401 <b>0011</b> |
| Light grey    | 50                            | S4 type         | 1401 <b>0031</b> |
| Dark grey     | 50                            | S4 type         | 1401 <b>0041</b> |

**Flat mounting kit**



**Use**

The flat mounting kit provides a compact solution ideally suited to withdrawable applications.

| Rating (A)      | Frame size | Type               | Reference        |
|-----------------|------------|--------------------|------------------|
| CD 20 ... CD 32 | 0          | Kit + Shaft 200 mm | 1429 <b>7709</b> |
| 32 ... 400      | 11 ... 16  | Kit + Shaft 200 mm | 1429 <b>7710</b> |

**Handle for flat mounting kit**



**Padlockable handle in position 0**

| Rating (A)   | Frame size | Handle type | Handle colour | External IP <sup>(1)</sup> | Reference                       |
|--------------|------------|-------------|---------------|----------------------------|---------------------------------|
| CD 20 ... 63 | 0/11/12    | S1          | Black         | IP55                       | 1411 <b>2111</b> <sup>(2)</sup> |
| CD 20 ... 63 | 0/11/12    | S1          | Red/Yellow    | IP65                       | 1414 <b>2111</b> <sup>(2)</sup> |
| 100 ... 400  | 13 ... 16  | S2          | Black         | IP55                       | 1421 <b>2111</b> <sup>(2)</sup> |
| 100 ... 400  | 13 ... 16  | S2          | Red/Yellow    | IP65                       | 1424 <b>2111</b> <sup>(2)</sup> |

(1) IP: Degree of protection according to standard IEC 60529.

(2) Defeatable handle in position I.

**Front operation shaft support accessory**



hsnr\_088\_a\_2\_cat

**Use**

This support maintains shaft position for extension shafts greater than 320 mm in length.

| Rating (A) | Frame size | Reference        |
|------------|------------|------------------|
| 32 ... 400 | 11 ... 16  | 3899 <b>0400</b> |

**Shaft guide for external operation**



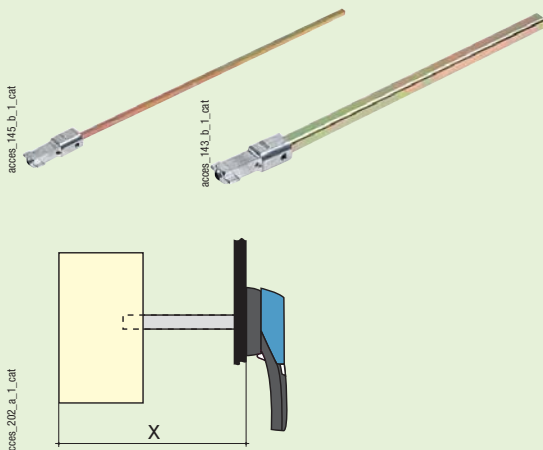
access\_280\_a\_2\_cat

**Use**

To guide the shaft extension into the external handle.  
This accessory enables handle to engage extension shaft with a misalignment of up to 15 mm.  
Required for a shaft length over 320 mm.

| Description | Reference        |
|-------------|------------------|
| Shaft guide | 1429 <b>0000</b> |

**Shaft for external front**



access\_145\_b\_1\_cat

access\_143\_b\_1\_cat

access\_202\_a\_1\_cat

**Use**

Standard lengths:  
- 200 mm  
- 320 mm  
- 400 mm  
- 500 mm.  
Other lengths: consult us.

| Rating (A)      | Frame size | Shaft length (mm) | Reference                      |
|-----------------|------------|-------------------|--------------------------------|
| CD 20 ... CD 32 | 0          | 200               | 1401 <b>0520</b>               |
| CD 20 ... CD 32 | 0          | 320               | 1401 <b>0532</b>               |
| CD 20 ... CD 32 | 0          | 400               | 1401 <b>0540<sup>(1)</sup></b> |
| 32 ... 400      | 11 ... 16  | 200               | 1400 <b>1020</b>               |
| 32 ... 400      | 11 ... 16  | 320               | 1400 <b>1032</b>               |
| 32 ... 400      | 11 ... 16  | 500               | 1400 <b>1050<sup>(2)</sup></b> |
| 630 ... 800     | 17         | 200               | 1400 <b>1220</b>               |
| 630 ... 1250    | 17/18      | 320               | 1400 <b>1232</b>               |
| 630 ... 1250    | 17/18      | 500               | 1400 <b>1250<sup>(1)</sup></b> |

(1) Use the accessory "guide cone for external control".  
(2) Use the accessory "shaft extension support for external front control".

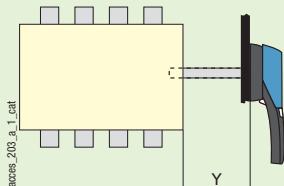
**Dimension X (mm) for FUSERBLOC BS88**

| Shaft extension length (mm) | Rating (A) | CD 20 ... CD 32 | 32          | 63 ... 160  | CD160 ... CD200 | 160 ... 200 | 250 ... 315 | 630 ... 800 | 1250        |
|-----------------------------|------------|-----------------|-------------|-------------|-----------------|-------------|-------------|-------------|-------------|
|                             | Fuse size  | A1              | A1          | A2-A3/A4    | A3-A4           | B1-B2       | B1-B2-B3    | C1-C2-C3    | D1          |
|                             | Frame size | 0               | 11          | 12/13/14    | 13 A            | 14/15       | 15/16       | 17          | 18          |
| 200                         |            | 102 ... 245     | 100 ... 230 | 125 ... 230 | 150 ... 230     | 135 ... 230 | 160 ... 230 | 270 ... 304 |             |
| 320                         |            | 102 ... 365     | 100 ... 350 | 125 ... 350 | 150 ... 350     | 135 ... 350 | 160 ... 350 | 270 ... 424 | 304 ... 424 |
| 400                         |            | 102 ... 445     |             |             |                 |             |             |             |             |
| 500                         |            |                 | 100 ... 530 | 125 ... 530 | 150 ... 530     | 135 ... 530 | 160 ... 530 | 270 ... 600 | 304 ... 600 |

**Dimension X (mm) for FUSERBLOC NFC and DIN**

| Shaft extension length (mm) | Rating (A) | CD 25 ... CD 32 | 50          | 63          | 100 ... 160 | 160         | 250 ... 400 | 630 ... 800 | 800 ... 1250 |
|-----------------------------|------------|-----------------|-------------|-------------|-------------|-------------|-------------|-------------|--------------|
|                             | Fuse size  | 10x38/14x51     | 14x51       | 00C         | 22x58/00    | 0           | 1/2         | 3           | 4            |
|                             | Frame size | 0               | 11          | 12          | 13          | 14          | 15/16       | 17          | 18           |
| 200                         |            | 102 ... 245     | 100 ... 230 | 125 ... 230 | 135 ... 230 | 145 ... 230 | 160 ... 230 | 270 ... 304 |              |
| 320                         |            | 102 ... 365     | 100 ... 350 | 125 ... 350 | 135 ... 350 | 145 ... 350 | 160 ... 350 | 270 ... 424 | 304 ... 424  |
| 400                         |            | 102 ... 445     | 100 ... 430 | 125 ... 430 | 135 ... 430 | 145 ... 430 | 160 ... 430 | 270 ... 504 | 304 ... 504  |
| 500                         |            |                 | 100 ... 530 | 125 ... 530 | 135 ... 530 | 145 ... 530 | 160 ... 530 | 270 ... 604 | 304 ... 604  |

**Shaft for external side**



access\_202\_a\_1\_cat

**Use**

Standard lengths, 200 mm.

| Rating (A)      | Frame size | Handle type | Dimension Y (mm) | Shaft length (mm) | Reference        |
|-----------------|------------|-------------|------------------|-------------------|------------------|
| CD 20 ... CD 32 | 0          | S           | 36 ... 159       | 200               | 1401 <b>0520</b> |
| 32 ... 400      | 11 ... 16  | S           | 36 ... 172       | 200               | 1400 <b>1020</b> |
| 630 ... 1250    | 17/18      | S           | 15 ... 150       | 200               | 1400 <b>1220</b> |

### Integrated solid neutral link



### Use

Fixing the solid neutral onto the mechanism produces a device with a solid neutral of the same size as a standard three-pole device (+ 6 mm).

#### BS88 for external front operation

| Rating (A)        | Switch body size | Bar rating (A) | Reference |
|-------------------|------------------|----------------|-----------|
| 100               | 13               | 125            | 3829 9310 |
| CD 160 ... CD 200 | 13a              | 200            | 3829 9320 |
| 160               | 14               | 200            | 3829 9320 |
| 200 ... 250       | 15               | 250            | 3829 9325 |
| 315 ... 400       | 16               | 400            | 3829 9339 |
| 630 ... 800       | 17               | 800            | 3829 9308 |
| 1250              | 18               | 1250           | 3829 9312 |

#### NFC and DIN for external front operation

| Rating (A)   | Switch body size | Bar rating (A) | Reference |
|--------------|------------------|----------------|-----------|
| 100 ... 125  | 13               | 125            | 3829 9310 |
| 160          | 13               | 160            | 3829 9320 |
| 160          | 14               | 200            | 3829 9320 |
| 250          | 15               | 250            | 3829 9325 |
| 400          | 16               | 400            | 3829 9339 |
| 630 ... 800  | 17               | 800            | 3829 9308 |
| 800 ... 1250 | 18               | 1250           | 3829 9312 |

### Solid neutral module



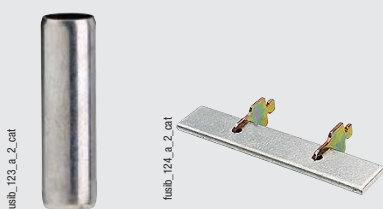
#### BS88 for external front operation

| Rating (A)        | Switch body size | I <sub>max</sub> (A) | Distance (mm) | Reference |
|-------------------|------------------|----------------------|---------------|-----------|
| 32                | 11               | 32                   | 27            | 3629 9227 |
| 63                | 12               | 63                   | 32            | 3629 9232 |
| 100               | 13               | 100                  | 36            | 3629 9236 |
| CD 160 ... CD 200 | 13 a             | 200                  | 36            | 3629 9237 |
| 160               | 14               | 160                  | 50            | 3629 9250 |
| 200 ... 250       | 15               | 250                  | 60            | 3629 9260 |
| 315 ... 400       | 16               | 400                  | 66            | 3629 9266 |
| 630 ... 800       | 17               | 800                  | 94            | 3629 9294 |
| 1250              | 18               | 1250                 | 120           | 3629 9212 |

#### NFC and DIN for external front operation

| Rating (A)   | Frame size | I <sub>max</sub> (A) | Distance (mm) | Reference |
|--------------|------------|----------------------|---------------|-----------|
| 50           | 1/11       | 50                   | 27            | 3629 9227 |
| 63           | 2/12       | 63                   | 32            | 3629 9232 |
| 100 ... 160  | 3/13       | 160                  | 36            | 3629 9236 |
| 160          | 4/14       | 160                  | 50            | 3629 9250 |
| 250          | 5/15       | 250                  | 60            | 3629 9260 |
| 400          | 6/16       | 400                  | 60            | 3629 9266 |
| 630 ... 800  | 17         | 800                  | 94            | 3629 9294 |
| 800 ... 1250 | 18         | 1250                 | 120           | 3629 9212 |

### Solid links



#### BS88 switches

| Rating (A)  | Frame size | Fuse size   | I <sub>max</sub> (A) | Reference |
|-------------|------------|-------------|----------------------|-----------|
| 32          | 11         | A1          | 32                   | 3629 9003 |
| 63          | 12         | A2-A3       | 63                   | 3629 9006 |
| 100         | 13         | A4          | 160                  | 3629 9010 |
| CD 160      | 13a        | A3-A4       | 160                  | 3629 9010 |
| 160         | 14         | A4          | 160                  | 3629 9010 |
| 160         | 14         | B1-B2       | 200                  | 3629 9016 |
| CD 200      | 13a        | A3-A4       | 160                  | 3629 9010 |
| 200         | 15         | B1-B2       | 200                  | 3629 9016 |
| 250         | 15         | B1-B2-B3    | 315                  | 3629 9025 |
| 315         | 16         | B1-B2-B3    | 315                  | 3629 9025 |
| 400         | 16         | B1-B2-B3-B4 | 400                  | 3629 9040 |
| 630 ... 800 | 17         | C1-C3       | 800                  | 3629 9063 |
| 1250        | 18         | D1          | 1250                 | 3629 9120 |

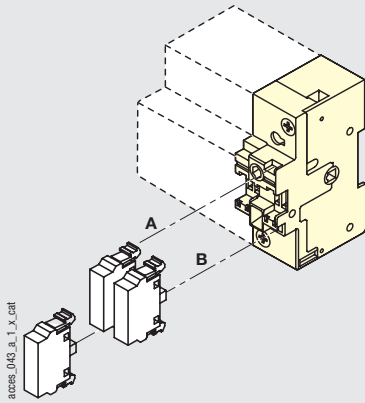
#### NFC and DIN switches

| Rating (A)   | Frame size | Fuse size | I <sub>max</sub> (A) | Reference |
|--------------|------------|-----------|----------------------|-----------|
| 50           | 1/11       | 14 x 51   | 50                   | 6029 0000 |
| 63           | 2/12       | 00C       | 160                  | 6420 0000 |
| 100 ... 125  | 3/13       | 22 x 58   | 125                  | 6039 0000 |
| 125 ... 160  | 3/13       | 00        | 160                  | 6420 0000 |
| 160          | 4/14       | 0         | 160                  | 6421 0000 |
| 250          | 5/15       | 1         | 250                  | 6421 0001 |
| 400          | 6/16       | 2         | 400                  | 6421 0002 |
| 630 ... 800  | 17         | 3         | 630                  | 6421 0003 |
| 800 ... 1250 | 18         | 4         | 1250                 | 6441 0005 |

**U type auxiliary contacts**



access\_098\_a\_1\_cat



access\_043\_a\_1\_x\_cat

**Use**

Compact universal type auxiliaries can be configured to be operated on both, standard and TEST position switches from CD 20 to 1250 A. Each slot can accommodate up to 2 interlocked ACs.

**Connection to the control circuit**

By terminals with max. section 2 x 2.5 mm<sup>2</sup>. For FUSERBLOC CD 20 to 400 A. Pre-break and signalling of positions 0, I and Test. For FUSERBLOC ≥ 630 A: Pre-break and position 0 and I signalling.

**References**

| <b>NO auxiliary contacts</b> |            |            |                  |
|------------------------------|------------|------------|------------------|
| Rating (A)                   | Frame size | Contact(s) | Reference        |
| CD 20 ... 1250               | 0 ... 18   | 1          | 3999 <b>0701</b> |

| <b>NC auxiliary contacts</b> |            |            |                  |
|------------------------------|------------|------------|------------------|
| Rating (A)                   | Frame size | Contact(s) | Reference        |
| CD 20 ... 1250               | 0 ... 18   | 1          | 3999 <b>0702</b> |

| <b>Contact holder for auxiliary contacts</b> |            |               |                          |
|--|------------|---------------|--------------------------|
| Rating (A)                                   | Frame size | Contact(s)    | Reference <sup>(2)</sup> |
| CD 20 ... 160                                | 0 ... 14   | 4 (2 x 2 max) | included                 |
| 250 ... 400                                  | 15/16      | 8 (4 x 2 max) | included                 |
| 630 ... 1250                                 | 17/18      | 8 (4 x 2 max) | included                 |

(2) Cannot be mounted in direct operation.

| <b>Contact holder for additional auxiliary contacts</b> |            |               |                  |
|---|------------|---------------|------------------|
| Rating (A)  | Frame size | Contact(s)    | Reference        |
| CD 20 ... CD 32   | 0          | 4 (2 x 2 max) | 3999 <b>0710</b> |
| 32 ... 400  | 11 ... 16  | 4 (2 x 2 max) | 3999 <b>0600</b> |

**Characteristics**

| Rating (A)     | Operating current <sub>t</sub> (A) |                  |                 |                 |
|----------------|------------------------------------|------------------|-----------------|-----------------|
|                | 250 VAC<br>AC-15                   | 400 VAC<br>AC-15 | 24 VDC<br>DC-13 | 48 VDC<br>DC-13 |
| CD 20 ... 1250 | 3                                  | 1.8              | 2.8             | 1.4             |

**A type auxiliary contacts**



access\_046\_a\_1\_cat

access\_047\_a\_2\_cat

**Use**

Pre-break and position 0 and I signalling by 1 or 2 NO /NC auxiliary contacts. For low level use, specific auxiliary contacts: consult us.

**Connection to the control circuit**

By 6.35 mm fast-on terminal.

**Electrical characteristics**

30 000 operations.

**References**

| <b>NO / NC auxiliary contacts</b> |            |            |                                |
|-----------------------------------|------------|------------|--------------------------------|
| Rating (A)                        | Frame size | Contact(s) | Reference                      |
| CD 20 ... CD 32                   | 0          | 1          | 3999 <b>0001</b>               |
| CD 20 ... CD 32                   | 0          | 2          | 3999 <b>0001</b>               |
| 32 ... 400 <sup>(1)</sup>         | 1 ... 6    | 1          | 3999 <b>0021<sup>(2)</sup></b> |
| 32 ... 400 <sup>(1)</sup>         | 1 ... 6    | 2          | 3999 <b>0022<sup>(2)</sup></b> |

(1) Side direct operation switch only.

(2) A type auxiliary contacts cannot be mounted conjunction with integrated solid neutral.

**Characteristics**

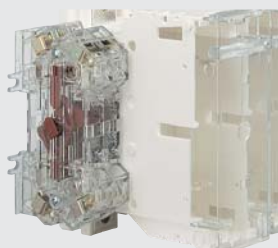
| Rating (A)    | Current nominal (A) | Operating current <sub>t</sub> (A) |                  |                 |                 |
|---------------|---------------------|------------------------------------|------------------|-----------------|-----------------|
|               |                     | 250 VAC<br>AC-13                   | 400 VAC<br>AC-13 | 24 VDC<br>DC-13 | 48 VDC<br>DC-13 |
| CD 20 ... 400 | 16                  | 4                                  | 2                | 12              | 2               |

### S and ST type auxiliary contacts

access\_051\_a\_2\_cat



access\_003\_a\_1\_cat



#### Use

For FUSERBLOCs 32 to 1250 A, position 0 and I signalling by 1 to 4 NO + NC auxiliary contacts.

#### Electrical principle

The NO + NC S type auxiliary contacts can be configured as 2 NC or 2 NO.

#### Connection

By terminals with max. section 10 mm<sup>2</sup>.

#### Mechanical characteristics

30 000 operations.

#### References

**S type** auxiliary contacts I-0 for external front and right-side operation (Standard operation)

| Rating (A)  | Frame size | Contact type | Reference        |
|-------------|------------|--------------|------------------|
| 32 ... 1250 | 11 ... 18  | NC+NO        | 3999 <b>0041</b> |

**ST type** auxiliary contacts I-0-TEST for external front and right-side operation (TEST operation)

| Rating (A) | Frame size | Contact type |             | Reference        |
|------------|------------|--------------|-------------|------------------|
|            |            | type         | Description |                  |
| 32 ... 400 | 11 ... 16  | NC+NO        | TEST + ON   | 3999 <b>0141</b> |
| 32 ... 400 | 11 ... 16  | 2 O          | TEST + ON   | 3999 <b>0241</b> |

Drive shaft kit for auxiliary contact operation.

| Type of AC | Operation type | Reference        |
|------------|----------------|------------------|
| S type     | Standard       | 3999 <b>0003</b> |
| ST type    | TEST           | 3999 <b>0103</b> |

#### Characteristics

| Rating (A)  | Current nominal (A) | Operating current I <sub>0</sub> (A) |               |
|-------------|---------------------|--------------------------------------|---------------|
|             |                     | 250 VAC AC-13                        | 400 VAC AC-13 |
| 32 ... 1250 | 20                  | 10                                   | 8             |

### Fuse cover interlocking

#### Use

On NFC and DIN, side direct operation, locking of the opening of the fuse protection cover when FUSERBLOC is engaged (position I).

| Rating (A)   | Frame size | Fuse size         | No. of poles | Reference        |
|--------------|------------|-------------------|--------------|------------------|
| CD 25 ... 50 | 0 ... 11   | 10 x 38 / 14 x 51 | 2 / 3 / 4    | included         |
| 63           | 12         | 00C               | 2 / 3 / 4    | 3999 <b>8906</b> |
| 100 ... 125  | 13         | 22 x 58           | 2 / 3 / 4    | 3999 <b>8912</b> |
| 125 ... 160  | 13         | 00                | 2 / 3 / 4    | 3999 <b>8912</b> |
| 160          | 14         | 0                 | 2 P          | 3999 <b>8216</b> |
| 160          | 14         | 0                 | 3 P          | 3999 <b>8316</b> |
| 160          | 14         | 0                 | 4 P          | 3999 <b>8416</b> |
| 250          | 15         | 1                 | 2 P          | 3999 <b>8225</b> |
| 250          | 15         | 1                 | 3 P          | 3999 <b>8325</b> |
| 250          | 15         | 1                 | 4 P          | 3999 <b>8425</b> |
| 400          | 16         | 2                 | 2 P          | 3999 <b>8240</b> |
| 400          | 16         | 2                 | 3 P          | 3999 <b>8340</b> |
| 400          | 16         | 2                 | 4 P          | 3999 <b>8440</b> |



**Terminal shrouds**



**Use**  
Top or bottom IP 20 protection (at front) against direct contact with terminals or connection parts. 2 sets required to fully shroud both incoming and outgoing terminals.

| Rating (A)     | Frame size | Position     | No. of poles | Reference        |
|----------------|------------|--------------|--------------|------------------|
| CD 20 ... 63   | 0 ... 12   | top / bottom | 2 / 3 / 4 P  | integrated       |
| 100 ... CD 200 | 13/14      | top / bottom | 2 P          | 3998 <b>2016</b> |
| 100 ... CD 200 | 13/14      | top / bottom | 3 P          | 3998 <b>3016</b> |
| 100 ... CD 200 | 13/14      | top / bottom | 4 P          | 3998 <b>4016</b> |
| 200 ... 400    | 15/16      | top / bottom | 2 P          | 3998 <b>2025</b> |
| 200 ... 400    | 15/16      | top / bottom | 3 P          | 3998 <b>3025</b> |
| 200 ... 400    | 15/16      | top / bottom | 4 P          | 3998 <b>4025</b> |
| 630 ... 800    | 17         | top / bottom | 2 P          | 3898 <b>2080</b> |
| 630 ... 800    | 17         | top / bottom | 3 P          | 3898 <b>3080</b> |
| 630 ... 800    | 17         | top / bottom | 4 P          | 3898 <b>4080</b> |
| 800 ... 1250   | 18         | top / bottom | 2 P          | 3898 <b>2120</b> |
| 800 ... 1250   | 18         | top / bottom | 3 P          | 3898 <b>3120</b> |
| 800 ... 1250   | 18         | top / bottom | 4 P          | 3898 <b>4120</b> |

**NFC and DIN fuse blown indication**



**Use**  
For fuse cartridge with striker (size 14 x 51 22 x 58; 0; 1; 2; 3 and 4).

**Electrical principle**  
A NO/ NC auxiliary contact detects that the fuse has blown.

**Connection to the control circuit**  
By 6.35 mm fast-on terminal.

**Mechanical characteristics**  
30 000 operations.

**References**

**NO/ NC type auxiliary contacts for 2 pole**

| Rating (A)   | Frame size | Fuse    | Contact(s)      | Reference        |
|--------------|------------|---------|-----------------|------------------|
| 50           | 11         | 14 x 51 | 1 <sup>st</sup> | 3994 <b>0405</b> |
| 100 ... 125  | 13         | 22 x 58 | 1 <sup>st</sup> | 3994 <b>0210</b> |
| 160          | 14         | 0       | 1 <sup>st</sup> | 3994 <b>0216</b> |
| 250 ... 400  | 15/16      | 1-2     | 1 <sup>st</sup> | 3994 <b>0225</b> |
| 630          | 17         | 3       | 1 <sup>st</sup> | 3894 <b>1206</b> |
| 800 ... 1250 | 18         | 4       | 1 <sup>st</sup> | 3894 <b>1212</b> |

**NO/ NC type auxiliary contacts for 3 pole**

| Rating (A)   | Frame size | Fuse    | Contact(s)      | Reference        |
|--------------|------------|---------|-----------------|------------------|
| CD 32        | 0          | 14 x 51 | 1 <sup>st</sup> | 3994 <b>0303</b> |
| 50           | 11         | 14 x 51 | 1 <sup>st</sup> | 3994 <b>0405</b> |
| 100 ... 125  | 13         | 22 x 58 | 1 <sup>st</sup> | 3994 <b>0310</b> |
| 160          | 14         | 0       | 1 <sup>st</sup> | 3994 <b>0316</b> |
| 250 ... 400  | 15/16      | 1-2     | 1 <sup>st</sup> | 3994 <b>0325</b> |
| 630          | 17         | 3       | 1 <sup>st</sup> | 3894 <b>1306</b> |
| 800 ... 1250 | 18         | 4       | 1 <sup>st</sup> | 3894 <b>1312</b> |
| 50 ... 1250  | 11 ... 18  |         | 2 <sup>nd</sup> | 3994 <b>1901</b> |

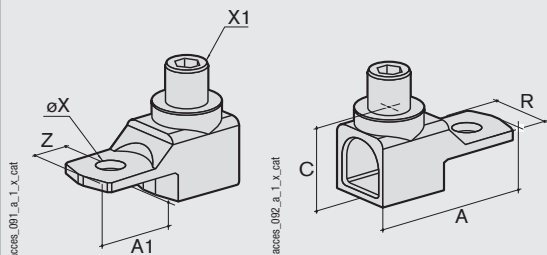
**NO/ NC type auxiliary contacts for 4 pole or 3 pole + neutral**

| Rating (A)   | Frame size | Fuse    | Contact(s)      | Reference        |
|--------------|------------|---------|-----------------|------------------|
| 50           | 11         | 14 x 51 | 1 <sup>st</sup> | 3994 <b>0405</b> |
| 100 ... 125  | 13         | 22 x 58 | 1 <sup>st</sup> | 3994 <b>0410</b> |
| 160          | 14         | 0       | 1 <sup>st</sup> | 3994 <b>0416</b> |
| 250 ... 400  | 15/16      | 1-2     | 1 <sup>st</sup> | 3994 <b>0425</b> |
| 630          | 17         | 3       | 1 <sup>st</sup> | 3894 <b>1406</b> |
| 800 ... 1250 | 18         | 4       | 1 <sup>st</sup> | 3894 <b>1412</b> |
| 50 ... 1250  | 11 ... 18  |         | 2 <sup>nd</sup> | 3994 <b>1901</b> |

**Characteristics**

| Rating (A)     | Current nominal (A) | Operating current, (A) |               |              |              |
|----------------|---------------------|------------------------|---------------|--------------|--------------|
|                |                     | 250 VAC AC-13          | 400 VAC AC-13 | 24 VDC DC-13 | 48 VDC DC-13 |
| CD 32 ... 1250 | 16                  | 4                      | 3             | 12           | 2            |

### Cage terminals



#### Use

Connection of bare copper cables onto the terminals (without lugs).

#### References

| Rating max (A) | Frame size | No. of poles | Reference        |
|----------------|------------|--------------|------------------|
| CD 20 ... 63   | 0 ... 12   | 2 / 3 / 4 P  | integrated       |
| 100 ... 160    | 13/14      | 3 P          | 5400 <b>3016</b> |
| 100 ... 160    | 13/14      | 4 P          | 5400 <b>4016</b> |
| 200 ... 250    | 15         | 3 P          | 5400 <b>3025</b> |
| 200 ... 250    | 15         | 4 P          | 5400 <b>4025</b> |
| 315 ... 400    | 16         | 3 P          | 5400 <b>3040</b> |
| 315 ... 400    | 16         | 4 P          | 5400 <b>4040</b> |

#### Connections

| Rating (A)  | Section flexible cable (mm <sup>2</sup> ) | Section rigid cable (mm <sup>2</sup> ) | Width flexible bar (mm) | Stripped over (mm) |
|-------------|---|--|-------------------------|--------------------|
| 100 ... 160 | 16 ... 95                                 | 16 ... 95                              | 13                      | 22                 |
| 250         | 16 ... 185                                | 16 ... 185                             | 18                      | 27                 |
| 400         | 50 ... 240                                | 50 ... 300                             | 20                      | 34                 |

#### Dimensions

| Rating (A)  | A    | A1   | C    | R  | ØX   | X1  | Z  |
|-------------|------|------|------|----|------|-----|----|
| 100 ... 160 | 47.5 | 22.5 | 25   | 20 | 8.5  | M12 | 10 |
| 250         | 62   | 31.5 | 31.5 | 25 | 10.5 | M16 | 14 |
| 400         | 71.5 | 32   | 38   | 32 | 10.5 | M20 | 15 |

### Handle key interlocking accessories

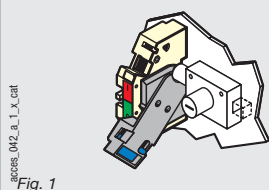


Fig. 1

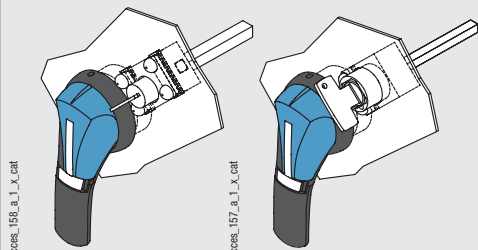


Fig. 2

Fig. 3

#### Use

Locking in position 0 of the direct, front or right side operation:

- using padlock (not supplied) in direct operation:
  - integrated into the handle of 20 to 400 A,
  - integrated into the frame of 630 to 1250 A.
- using key interlocking (not supplied) in external operation (see below).

#### Locking using **RONIS EL 11 AP** lock (not supplied)

| Rating (A)     | Frame size | Operation      | Figure n° | Reference        |
|----------------|------------|----------------|-----------|------------------|
| CD 20 ... 1250 | 0 ... 18   | external front | 2         | 1499 <b>7701</b> |
| 32 ... 63      | 1/2        | direct         | 1         | 3629 <b>7903</b> |
| 100 ... 400    | 3...6      | direct         | 1         | 3629 <b>7913</b> |
| 630 ... 1250   | 17 ... 18  | direct         |           | 3829 <b>7923</b> |

#### Locking using **CASTELL K** lock (not supplied)

| Rating (A)     | Frame size | Operation      | Figure n° | Reference        |
|----------------|------------|----------------|-----------|------------------|
| CD 20 ... 1250 | 0 ... 18   | external front | 3         | 1499 <b>7702</b> |

#### Locking using **CASTELL FS** lock (not supplied)

| Rating (A)     | Frame size | Operation      | Figure n° | Reference        |
|----------------|------------|----------------|-----------|------------------|
| CD 20 ... 1250 | 0 ... 18   | external front | 3         | 1499 <b>7703</b> |

#### Locking using **XOP** (not included)

| Rating (A)     | Frame size | Operation      | Reference        |
|----------------|------------|----------------|------------------|
| CD 20 ... 1250 | 0 ... 18   | external front | 1499 <b>7702</b> |

### Label holder



#### Use

Recognisable self-adhesive label allowing identification of the devices.

| Dimensions W x H (mm) | To be ordered in multiples of | Reference        |
|-----------------------|-------------------------------|------------------|
| 18 x 13               | 50                            | 7769 <b>9999</b> |

➔ FUSERBLOC - Characteristics according to IEC 60947-3

## 20 to 100 A

| Thermal current $I_{th}$ (40°C)                | 20 A | 25 A      | CD 32 A   | CD 32 A    | 32 A | 50 A      | 63 A      | 100 A       |
|--|------|-----------|-----------|------------|------|-----------|-----------|-------------|
| BS88/DIN fuse size                             | A1/- | -/10 x 38 | -/10 x 38 | A1/14 x 51 | A1/- | -/14 x 51 | A2-A3/00C | A4*/22 x 58 |
| Frame size for direct operation                | 0    | 0         | 0         | 0          | 1    | 1         | 2         | 3           |
| Switch body size for front and side operation  | 0    | 0         | 0         | 0          | 11   | 11        | 12        | 13          |
| Rated insulation voltage $U_i$ (V)             | 800  | 800       | 800       | 800        | 750  | 750       | 750       | 750         |
| Rated impulse withstand voltage $U_{imp}$ (kV) | 8    | 8         | 8         | 8          | 8    | 8         | 8         | 8           |

### Rated operational currents $I_e$ (A)

| Rated voltage | Load duty category | A/B <sup>(1)</sup> | A/B <sup>(1)</sup>  | A/B <sup>(1)</sup> | A/B <sup>(1)</sup> | A/B <sup>(1)</sup>                   | A/B <sup>(1)</sup>                   | A/B <sup>(1)</sup>                   | A/B <sup>(1)</sup>                     |
|---------------|--------------------|--------------------|---------------------|--------------------|--------------------|--------------------------------------|--------------------------------------|--------------------------------------|--|
| 400 VAC       | AC-22 A / AC-22 B  | 20/20              | 25/25               | 32/32              | 32/32              | 32/32                                | 50/50                                | 63/63                                | 100/100                                |
| 400 VAC       | AC-23 A / AC-23 B  | 20/20              | 25/25               | 32/32              | 32/32              | 32/32                                | 50/50                                | 63/63                                | 100/100                                |
| 690 VAC       | AC-22 A / AC-22 B  | 20/20              | 25/25               | 32/32              | 32/32              | 32/32                                | 50/50                                | 63/63                                | 100 <sup>(4)</sup> /100 <sup>(4)</sup> |
| 690 VAC       | AC-23 A / AC-23 B  | 20/20              | 25/25               | 32/32              | 32/32              | 32/32                                | 50/50                                | 63/63                                | 100 <sup>(4)</sup> /100 <sup>(4)</sup> |
| 220 VDC       | DC-20 A / DC-20 B  |                    |                     | -/32               |                    | 32/32                                | 50/50                                | 63/63                                | 100/100                                |
| 220 VDC       | DC-21 A / DC-21 B  |                    | -/25 <sup>(2)</sup> |                    |                    | 32/32                                | 40/40                                | 40/40                                | 100/100                                |
| 440 VDC       | DC-20 A / DC-20 B  |                    |                     |                    |                    | 32 <sup>(3)</sup> /32 <sup>(3)</sup> | 50 <sup>(3)</sup> /50 <sup>(3)</sup> | 63 <sup>(3)</sup> /63 <sup>(3)</sup> | 100 <sup>(3)</sup> /100 <sup>(3)</sup> |
| 440 VDC       | DC-21 A / DC-21 B  |                    |                     |                    |                    | 32 <sup>(3)</sup> /32 <sup>(3)</sup> | 40 <sup>(3)</sup> /40 <sup>(3)</sup> | 40 <sup>(3)</sup> /40 <sup>(3)</sup> | 100 <sup>(3)</sup> /100 <sup>(3)</sup> |

### Operational power in AC-23 (kW)

|  |       |       |       |       |       |       |       |       |
|--|-------|-------|-------|-------|-------|-------|-------|-------|
| At 400 VAC without pre-break in AC <sup>(1)(5)</sup> | 9/9   | 11/11 | 15/15 | 15/15 | 15/15 | 25/25 | 30/30 | 51/51 |
| At 690 VAC without pre-break in AC <sup>(1)(5)</sup> | 15/15 | 22/22 | 25/25 | 25/25 | 25/25 | 45/45 | 55/55 | 90/90 |

### Reactive power (kvar)

|                           |   |    |    |    |    |    |    |    |
|---------------------------|---|----|----|----|----|----|----|----|
| At 400 VAC <sup>(3)</sup> | 8 | 11 | 15 | 15 | 15 | 23 | 28 | 45 |
|---------------------------|---|----|----|----|----|----|----|----|

### Fuse protected short-circuit withstand BS88/DIN (kA rms prospective)

|   |      |       |       |        |        |       |        |         |
|---|------|-------|-------|--------|--------|-------|--------|---------|
| Prospective short-circuit (kA rms) <sup>(6)</sup> | 80/- | -/100 | -/100 | 80/100 | 80/100 | -/100 | 80/100 | 80/100  |
| Associated fuse rating (A) <sup>(6)</sup>         | 20/- | -/25  | -/32  | 32/32  | 32/32  | -/50  | 63/63  | 100/100 |

### Short-circuit capacity

|   |     |     |     |     |   |     |      |    |
|---|-----|-----|-----|-----|---|-----|------|----|
| Rated peak withstand current (kA peak) <sup>(6)</sup> | 5.5 | 5.5 | 5.5 | 5.5 | 9 | 7.6 | 10.6 | 20 |
|---|-----|-----|-----|-----|---|-----|------|----|

### Fuse selection (maximum fuse size)<sup>(7)</sup>

|               |            |           |           |            |            |           |           |              |
|---------------|------------|-----------|-----------|------------|------------|-----------|-----------|--------------|
| SOCOMECS BS88 | 6A10 0020  | 6012 0025 | 6012 0032 | 6A10 0032  | 6A10 0032  |           | 6A30 0063 | 6A40 0100    |
| SOCOMECS BS88 | 6A1M 0032  | 6013 0025 | 6013 0032 | 6A1M 0063  | 6A1M 0032  |           | 6A3M 0080 | 6A4M 0125    |
| SOCOMECS DIN  |            |           |           |            |            | 6022 0050 | 6600 0063 | 6032 0100    |
| SOCOMECS DIN  |            |           |           |            |            | 6023 0050 | 6601 0063 | 6033 0100    |
| BUSSMANN      | NITD 20    |           |           | NITD 32    | NITD 32    |           | BAO 63    | CEO 100      |
| BUSSMANN      | NITD 20M32 |           |           | NITD 32M63 | NITD 32M63 |           | BAO 63M80 | CEO 100M125  |
| LAWSON        | NIT 20     |           |           | NIT 32     | NIT 32     |           | TIS 63    | TCP 100      |
| LAWSON        | NIT 20M32  |           |           | NIT 20M32  | NIT 20M32  |           | TIS 63M80 | CTFP 100M125 |
| GE            | NIT 20     |           |           | NET 32     | NET 32     |           | TIS 63    | TCP 100      |
| GE            | NIT 20M32  |           |           | NET 32M63  | NET 32M63  |           | TIS 63M80 | OCP 100M125  |

### Connection

|   |     |     |     |     |       |       |       |        |
|---|-----|-----|-----|-----|-------|-------|-------|--------|
| Minimum Cu cable section (mm <sup>2</sup> ) | 2.5 | 2.5 | 2.5 | 2.5 | 6     | 6     | 10    | 25     |
| Maximum Cu cable section (mm <sup>2</sup> ) | 16  | 16  | 16  | 16  | 25    | 25    | 25    | 95     |
| Maximum busbar width (mm)                   |     |     |     |     |       |       |       | 20     |
| Min. / Max. tightening torque min (Nm)      | 2/- | 2/- | 2/3 | 2   | 2.5/3 | 2.5/3 | 2.5/3 | 8.3/13 |

### Mechanical characteristics

|   |        |        |        |        |        |        |        |        |
|---|--------|--------|--------|--------|--------|--------|--------|--------|
| Durability (number of operating cycles) | 20 000 | 20 000 | 20 000 | 20 000 | 10 000 | 10 000 | 10 000 | 10 000 |
| Weight of 3 P switch (kg)               | 0.48   | 0.48   | 0.48   | 0.50   | 0.80   | 0.80   | 1      | 1.5    |
| Weight of 4 P switch (kg)               | 0.50   | 0.50   | 0.50   | 0.52   | 1      | 1      | 1.3    | 2      |
| Weight of 1 P extra (kg)                |        |        |        |        | 0.2    | 0.2    | 0.3    | 0.5    |
| Frame pitch (mm)                        |        |        |        |        | 32     | 27     | 32     | 36     |

(1) Category with index A = frequent operation - Category with index B = infrequent operation.

(2) With terminal shrouds or terminal screen.

(3) 4-pole device with 2 pole in series by polarity.

(4) Poles cannot be juxtaposed.

(5) The power value is given for information only, the current values vary from one manufacturer to another.

(6) For a rated operational voltage  $U_n = 400$  VAC.

(7) Fuse 800 A, 690 Vac does not exist, tests conducted with bars.

\* For fuse size A4: max diameter 31 mm.

\*\* Please ensure that fuse let through current does not exceed short-circuit capacity of the switch (kA peak).

## 125 to 200 A

| Thermal current $I_{th}$ (40°C)                | 125 A     | 125 A | 160 A | CD 160 A | 160 A | 160 A   | CD 200 A | 200 A   |
|--|-----------|-------|-------|----------|-------|---------|----------|---------|
| NFC/DIN fuse size                              | -/22 x 58 | -/00  | -/00  | A3-A4*/- | A4/0  | B1-B2/- | A3-A4*/- | B1-B2/- |
| Frame size for direct operation                | 3         | 3     | 3     |          | 4     | 4       |          | 5       |
| Switch body size for front and side operation  | 13        | 13    | 13    | 13a      | 14    | 14      | 13a      | 15      |
| Rated insulation voltage $U_i$ (V)             | 750       | 750   | 750   | 750      | 750   | 750     | 800      | 750     |
| Rated impulse withstand voltage $U_{imp}$ (kV) | 8         | 8     | 8     | 8        | 8     | 8       | 8        | 8       |

### Rated operational currents $I_e$ (A)

| Rated voltage | Load duty category | A/B <sup>(1)</sup>                     | A/B <sup>(1)</sup>                     | A/B <sup>(1)</sup>                     | A/B <sup>(1)</sup>                     | A/B <sup>(1)</sup>                     | A/B <sup>(1)</sup>                     | A/B <sup>(1)</sup>                     | A/B <sup>(1)</sup>                     |
|---------------|--------------------|--|--|--|--|--|--|--|--|
| 400 VAC       | AC-22 A / AC-22 B  | 125/125                                | 125/125                                | 160/160                                | 160/160                                | 160/160                                | 160/160                                | 200/200                                | 200/200                                |
| 400 VAC       | AC-23 A / AC-23 B  | 125/125                                | 125/125                                | 160/160                                | 160/160                                | 160/160                                | 160/160                                | 200/200                                | 200/200                                |
| 690 VAC       | AC-22 A / AC-22 B  | 125 <sup>(2)</sup> /125 <sup>(2)</sup> | 125 <sup>(2)</sup> /125 <sup>(2)</sup> | 160 <sup>(2)</sup> /160 <sup>(2)</sup> | 160 <sup>(2)</sup> /160 <sup>(2)</sup> | 160 <sup>(2)</sup> /160 <sup>(2)</sup> | 160 <sup>(2)</sup> /160 <sup>(2)</sup> | 160 <sup>(2)</sup> /160 <sup>(2)</sup> | 200 <sup>(2)</sup> /200 <sup>(2)</sup> |
| 690 VAC       | AC-23 A / AC-23 B  | 100 <sup>(2)</sup> /100 <sup>(2)</sup> | 100 <sup>(2)</sup> /100 <sup>(2)</sup> | 125 <sup>(2)</sup> /125 <sup>(2)</sup> | 125 <sup>(2)</sup> /125 <sup>(2)</sup> | 125 <sup>(2)</sup> /125 <sup>(2)</sup> | 125 <sup>(2)</sup> /125 <sup>(2)</sup> | 125 <sup>(2)</sup> /125 <sup>(2)</sup> | 200 <sup>(2)</sup> /160 <sup>(2)</sup> |
| 220 VDC       | DC-20 A / DC-20 B  | 125/125                                | 125/125                                | 160/160                                | 160/160                                | 160/160                                | 160/160                                | 160/160                                | 200/200                                |
| 220 VDC       | DC-21 A / DC-21 B  | 100/100                                | 100/100                                | 125/125                                | 125/125                                | 125/125                                | 125/125                                | 125/125                                | 200/200                                |
| 440 VDC       | DC-22 A / DC-22 B  | 125 <sup>(3)</sup> /125 <sup>(3)</sup> | 125 <sup>(3)</sup> /125 <sup>(3)</sup> | 160 <sup>(3)</sup> /160 <sup>(3)</sup> | 160 <sup>(3)</sup> /160 <sup>(3)</sup> | 160 <sup>(3)</sup> /160 <sup>(3)</sup> | 160 <sup>(3)</sup> /160 <sup>(3)</sup> | 160 <sup>(3)</sup> /160 <sup>(3)</sup> | 200 <sup>(3)</sup> /200 <sup>(3)</sup> |
| 440 VDC       | DC-23 A / DC-23 B  | 100 <sup>(3)</sup> /100 <sup>(3)</sup> | 100 <sup>(3)</sup> /100 <sup>(3)</sup> | 125 <sup>(3)</sup> /125 <sup>(3)</sup> | 160 <sup>(3)</sup> /160 <sup>(3)</sup> | 125 <sup>(3)</sup> /125 <sup>(3)</sup> | 125 <sup>(3)</sup> /125 <sup>(3)</sup> | 125 <sup>(3)</sup> /125 <sup>(3)</sup> | 200 <sup>(3)</sup> /200 <sup>(3)</sup> |

### Operational power in AC-23 (kW)

|  |       |       |         |         |         |         |         |         |
|--|-------|-------|---------|---------|---------|---------|---------|---------|
| At 400 VAC without pre-break in AC <sup>(1)(5)</sup> | 63/63 | 63/63 | 80/80   | 80/80   | 80/80   | 80/80   | 80/80   | 100/100 |
| At 690 VAC without pre-break in AC <sup>(1)(5)</sup> | 90/90 | 90/90 | 110/110 | 110/110 | 110/110 | 110/110 | 110/110 | 150/185 |

### Reactive power (kvar)

|                           |    |    |    |    |    |    |    |    |
|---------------------------|----|----|----|----|----|----|----|----|
| At 400 VAC <sup>(5)</sup> | 55 | 55 | 75 | 70 | 75 | 75 | 90 | 90 |
|---------------------------|----|----|----|----|----|----|----|----|

### Fuse protected short-circuit withstand (kA rms prospective)

|   |       |       |             |       |         |         |       |       |
|---|-------|-------|-------------|-------|---------|---------|-------|-------|
| Prospective short-circuit (kA rms) <sup>(6)</sup> | -/100 | -/100 | -/100 (50)  | 50/-  | 80/100  | 80/100  | 50/-  | 80/-  |
| Associated fuse rating (A) <sup>(6)</sup>         | -/125 | -/125 | -/125 (160) | 160/- | 160/160 | 160/160 | 200/- | 200/- |

### Short-circuit capacity

|   |    |    |    |    |      |      |    |      |
|---|----|----|----|----|------|------|----|------|
| Rated peak withstand current (kA peak) <sup>(6)</sup> | 20 | 20 | 20 | 20 | 22.7 | 22.7 | 20 | 32.5 |
|---|----|----|----|----|------|------|----|------|

### Fuse selection (maximum fuse size)<sup>(7)</sup>

|               |           |           |           |              |             |             |            |            |
|---------------|-----------|-----------|-----------|--------------|-------------|-------------|------------|------------|
| SOCOMECS BS88 |           |           |           |              | 6A4 0160    | 6B20 0160   | 6B20 0200  | 6B20 0200  |
| SOCOMECS BS88 |           |           |           | 6A40 0160    | 6A4M 0160   | 6B1M 0200   | 6B2M 0315  | 6B2M 0315  |
| SOCOMECS DIN  | 6032 0125 | 6692 0125 | 6692 0160 |              | 6702 0160   |             |            |            |
| SOCOMECS DIN  | 6033 0125 | 6693 0125 | 6693 0160 |              | 6703 0160   |             |            |            |
| BUSSMANN      |           |           |           | DE0 160      | DE0 160     | DD 160      | DD 200     | DD 200     |
| BUSSMANN      |           |           |           | CE0 100M160  | DE0 100M200 | CD 100M200  | DD 200M315 | DD 200M315 |
| LAWSON        |           |           |           | CTFP 160     | TFP 160     | TF 160      | TF 200     | TF 200     |
| LAWSON        |           |           |           | CTCP 100M160 | TCP 100M200 | TCP 100M200 | TC 200M315 | TC 200M315 |
| GE            |           |           |           | TCP 100      | TFP 160     | TF 160      | TF 200     | TF 200     |
| GE            |           |           |           | OCF 100M160  | TCP 100M201 | TC 100M200  | TF 200M315 | TF 200M315 |

### Connection

|   |        |        |        |        |        |        |       |       |
|---|--------|--------|--------|--------|--------|--------|-------|-------|
| Minimum Cu cable section (mm <sup>2</sup> ) | 35     | 35     | 35     | 35     | 50     | 50     | 95    | 95    |
| Maximum Cu cable section (mm <sup>2</sup> ) | 95     | 95     | 95     | 95     | 95     | 95     | 240   | 240   |
| Maximum busbar width (mm)                   | 20     | 20     | 20     | 20     | 20     | 20     | 32    | 32    |
| Tightening torque min (Nm)                  | 8.3/13 | 8.3/13 | 8.3/13 | 8.3/13 | 8.3/13 | 8.3/13 | 20/26 | 20/26 |

### Mechanical characteristics

|   |        |        |        |        |        |        |        |        |
|---|--------|--------|--------|--------|--------|--------|--------|--------|
| Durability (number of operating cycles) | 10 000 | 10 000 | 10 000 | 10 000 | 10 000 | 10 000 | 10 000 | 10 000 |
| Weight of 3 P switch (kg)               | 1.5    | 1.5    | 1.8    | 1.8    | 1.8    | 1.8    | 3.2    | 3.2    |
| Weight of 4 P switch (kg)               | 2      | 2      | 2.3    | 2.3    | 2.3    | 2.3    | 4.5    | 4.5    |
| Weight of 1 P extra (kg)                | 0.5    | 0.5    | 0.5    | 0.5    | 0.5    | 0.5    | 1.3    | 1.3    |
| Frame pitch (mm)                        | 36     | 36     | 36     | 50     | 50     | 50     | 60     | 60     |

(1) Category with index A = frequent operation - Category with index B = infrequent operation.

(2) With terminal shrouds or terminal screen.

(3) 4-pole device with 2 pole in series by polarity.

(4) Poles cannot be juxtaposed.

(5) The power value is given for information only, the current values vary from one manufacturer to another.

(6) For a rated operational voltage  $U_n = 400$  VAC.

(7) Fuse 800 A, 690 Vac does not exist, tests conducted with bars.

\* For fuse size A4: max diameter 31 mm.

\*\* Please ensure that fuse let through current does not exceed short-circuit capacity of the switch (kA peak).

## 250 to 1250 A

| Thermal current $I_{th}$ (40°C)                | 250 A      | 315 A      | 400 A         | 630 A   | 800 A      | 800 A | 1250 A |
|--|------------|------------|---------------|---------|------------|-------|--------|
| NFC/DIN fuse size                              | B1-B2-B3/1 | B1-B2-B3/- | B1-B2-B3-B4/2 | C1-C2/3 | C1-C2-C3/3 | -/4   | D1/4   |
| Frame size for direct operation                | 5          | 6          | 6             | 17      | 17         | 18    | 18     |
| Switch body size for front and side operation  | 15         | 16         | 16            | 17      | 17         | 18    | 18     |
| Rated insulation voltage $U_i$ (V)             | 750        | 800        | 800           | 1000    | 1000       | 1000  | 1000   |
| Rated impulse withstand voltage $U_{imp}$ (kV) | 8          | 8          | 8             | 12      | 12         | 12    | 12     |

### Rated operational currents $I_e$ (A)

| Rated voltage | Load duty category | A/B <sup>(1)</sup>                      | A/B <sup>(1)</sup>                      | A/B <sup>(1)</sup>                      | A/B <sup>(1)</sup>                      | A/B <sup>(1)</sup>                      | A/B <sup>(1)</sup>     | A/B <sup>(1)</sup>                        |
|---------------|--------------------|---|---|---|---|---|------------------------|---|
| 400 VAC       | AC-22 A / AC-22 B  | 250/250                                 | 315/315                                 | 400/400                                 | 630/630                                 | 800/800                                 | 800/800                | 1250/1250                                 |
| 400 VAC       | AC-23 A / AC-23 B  | 250/250                                 | 315/315                                 | 400/400                                 | 630/630                                 | 800/800                                 | 800/800                | 1000/1250                                 |
| 690 VAC       | AC-22 A / AC-22 B  | 250 <sup>(2)</sup> /250 <sup>(2)</sup>  | 315 <sup>(2)</sup> /315 <sup>(2)</sup>  | 315/400                                 | 500/630                                 | 800/800                                 | 800/800 <sup>(7)</sup> | 800/1250                                  |
| 690 VAC       | AC-23 A / AC-23 B  | 250 <sup>(2)</sup> /250 <sup>(2)</sup>  | 250 <sup>(2)</sup> /315 <sup>(2)</sup>  | 250/315                                 | 315/400                                 | 630/630                                 | 800/800 <sup>(7)</sup> | 800/630                                   |
| 220 VDC       | DC-20 A / DC-20 B  | 250/250                                 | 250/250                                 | 315/315                                 | 315/630                                 | 800/800                                 | 800/800                | 1250/1250                                 |
| 220 VDC       | DC-21 A / DC-21 B  | 200/200                                 | 200/200                                 | 200/315                                 | 400/630                                 | 800/800                                 | 800/800                | 1250/1250                                 |
| 440 VDC       | DC-22 A / DC-22 B  | 250 <sup>(3)</sup> / 250 <sup>(3)</sup> | 250 <sup>(3)</sup> / 250 <sup>(3)</sup> | 315 <sup>(4)</sup> / 315 <sup>(4)</sup> | 315/630 <sup>(4)</sup>                  | 800 <sup>(3)</sup> / 800 <sup>(3)</sup> | 800/800                | 1000 <sup>(3)</sup> / 1000 <sup>(3)</sup> |
| 440 VDC       | DC-23 A / DC-23 B  | 200 <sup>(3)</sup> / 200 <sup>(3)</sup> | 200 <sup>(3)</sup> / 200 <sup>(3)</sup> | 250 <sup>(4)</sup> / 315 <sup>(4)</sup> | 400 <sup>(4)</sup> / 630 <sup>(4)</sup> | 800 <sup>(3)</sup> / 800 <sup>(3)</sup> | 800/800 <sup>(3)</sup> | 1000 <sup>(3)</sup> / 1000 <sup>(3)</sup> |

### Operational power in AC-23 (kW)

|  |         |         |         |         |         |         |         |
|--|---------|---------|---------|---------|---------|---------|---------|
| At 400 VAC without pre-break in AC <sup>(1)(5)</sup> | 132/132 | 160/160 | 220/220 | 355/355 | 450/450 | 450/450 | 560/560 |
| At 690 VAC without pre-break in AC <sup>(1)(5)</sup> | 220/220 | 220/295 | 220/295 | 295/400 | 400/400 | 400/400 | 400/475 |

### Reactive power (kvar)

|                           |     |     |     |     |     |     |     |
|---------------------------|-----|-----|-----|-----|-----|-----|-----|
| At 400 VAC <sup>(5)</sup> | 115 | 145 | 185 | 290 | 365 | 355 | 460 |
|---------------------------|-----|-----|-----|-----|-----|-----|-----|

### Fuse protected short-circuit withstand (kA rms prospective)

|   |         |       |         |         |         |       |        |
|---|---------|-------|---------|---------|---------|-------|--------|
| Prospective short-circuit (kA rms) <sup>(6)</sup> | 80/100  | 80/-  | 80/50   | 80/100  | 80/100  | -/100 | -/100  |
| Associated fuse rating (A) <sup>(6)</sup>         | 250/250 | 315/- | 400/400 | 630/630 | 800/800 | -/800 | -/1250 |

### Short-circuit capacity

|   |      |    |    |    |    |    |    |
|---|------|----|----|----|----|----|----|
| Rated peak withstand current (kA peak) <sup>(6)</sup> | 32.5 | 40 | 40 | 70 | 80 | 80 | 90 |
|---|------|----|----|----|----|----|----|

### Fuse selection (maximum fuse size)<sup>(7)</sup>

|               |            |             |             |           |           |           |           |
|---------------|------------|-------------|-------------|-----------|-----------|-----------|-----------|
| SOCOMECS BS88 | 6B20 0250  | 6B30 0315   | 6B40 0400   | 6C20 0630 | 6C30 0800 |           |           |
| SOCOMECS BS88 | 6B2M 3015  | 6B3M 0400   | 6B4M 0500   |           |           |           |           |
| SOCOMECS DIN  | 6712 0250  |             | 6722 0400   | 6732 0400 |           | 6746 0800 | 6746 1200 |
| SOCOMECS DIN  | 6713 0250  |             | 6723 0400   | 6733 0400 |           | 6747 0800 | 6747 1200 |
| BUSSMANN      | ED 250     | ED 315      | ED 400      | FF 630    | GF 800    |           |           |
| BUSSMANN      | DD 200M315 | ED 315M400  | ED 400M500  |           |           |           |           |
| LAWSON        | TKF 250    | TKF 315     | TMF 400     | TTM 630   | TLM 800   |           |           |
| LAWSON        | TF 200M315 | TKF 315M400 | TMF 400M500 |           |           |           |           |
| GE            | TKF 250    | TKF 315     | TMF 400     | TTM 630   | TLM 800   |           |           |
| GE            | TF 200M315 | TKF 315M355 | TMF 400M450 |           |           |           |           |

### Connection

|   |       |       |       |         |         |         |         |
|---|-------|-------|-------|---------|---------|---------|---------|
| Minimum Cu cable section (mm <sup>2</sup> ) | 95    | 185   | 185   | 2 x 150 | 2 x 185 |         |         |
| Maximum Cu cable section (mm <sup>2</sup> ) | 240   | 240   | 240   | 2 x 300 | 2 x 300 | 4 x 185 | 4 x 185 |
| Maximum busbar width (mm)                   | 32    | 45    | 45    | 63      | 63      | 80      | 80      |
| Tightening torque min (Nm)                  | 20/26 | 20/26 | 20/26 | 40/45   | 40/45   | 40/45   | 40/45   |

### Mechanical characteristics

|   |        |        |        |       |       |       |       |
|---|--------|--------|--------|-------|-------|-------|-------|
| Durability (number of operating cycles) | 10 000 | 10 000 | 10 000 | 8 000 | 8 000 | 5 000 | 5 000 |
| Weight of 3 P switch (kg)               | 3.2    | 4.8    | 4.8    | 16    | 17    | 25    | 25    |
| Weight of 4 P switch (kg)               | 4.5    | 6.1    | 6.1    | 20    | 21.5  | 30    | 30    |
| Weight of 1 P extra (kg)                | 1.3    | 1.3    | 1.3    |       |       | 3     | 3     |
| Frame pitch (mm)                        | 60     | 66     | 66     | 94    | 94    | 120   | 120   |

(1) Category with index A = frequent operation - Category with index B = infrequent operation.

(2) With terminal shrouds or terminal screen.

(3) 4-pole device with 2 pole in series by polarity.

(4) Poles cannot be juxtaposed.

(5) The power value is given for information only, the current values vary from one manufacturer to another.

(6) For a rated operational voltage  $U_c = 400$  VAC.

(7) Fuse 800 A, 690 Vac does not exist, tests conducted with bars.

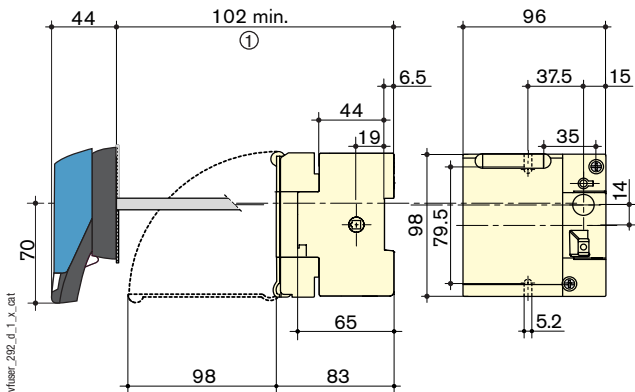
\*\* Please ensure that fuse let through current does not exceed short-circuit capacity of the switch (kA peak).

➔ **FUSERBLOC - Dimensions**

## External operation

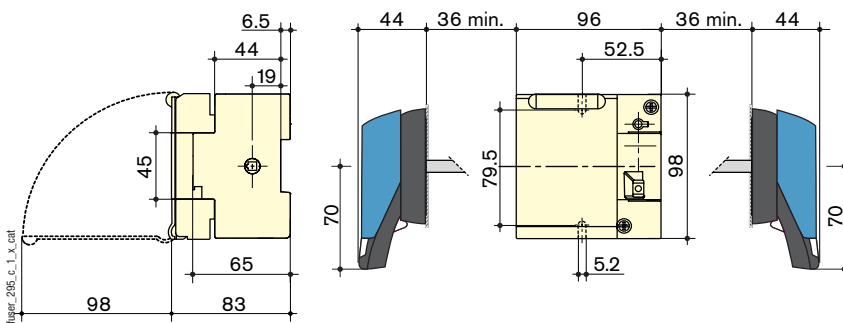
### BS88 - FUSERBLOC CD 20 to CD 32 A in size A1

External front operation

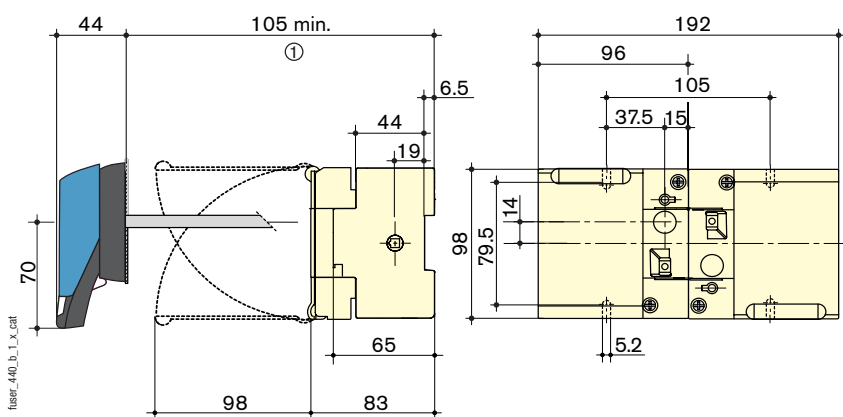


1. With 1 U type AC: 130 mm  
With 2 U type AC: 155 mm.

External side operation



External front operation fuse combination changeover

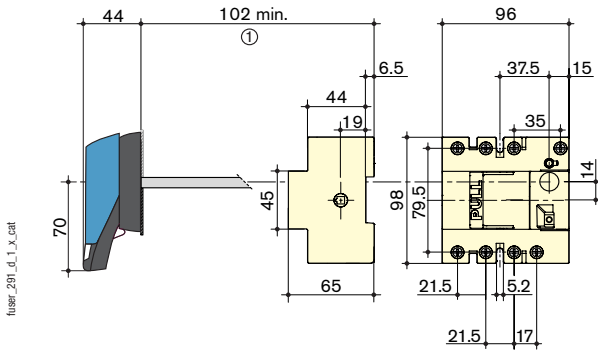


1. With 1 U type AC: 130 mm  
With 2 U type AC: 155 mm.

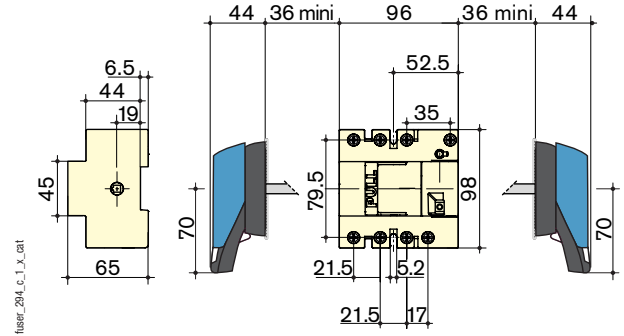
## External operation

### NFC and DIN - FUSERBLOC 25 to 32 A in size 10 x 38

External front operation



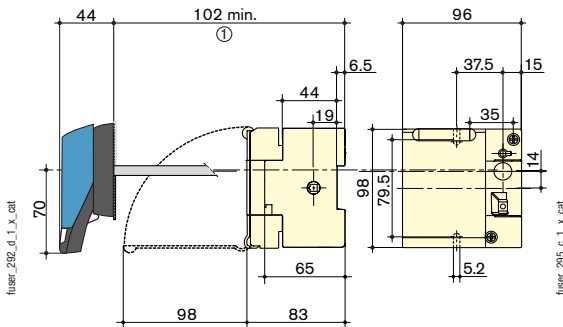
External side operation



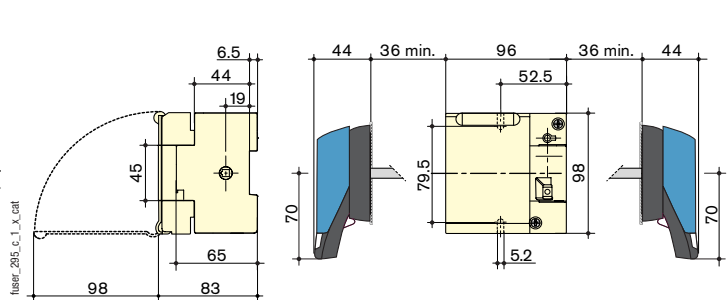
1. With 1 U type AC: 130 mm.  
With 2 U type AC: 155 mm.

### NFC and DIN - FUSERBLOC 32 A in size 14 x 51

External front operation



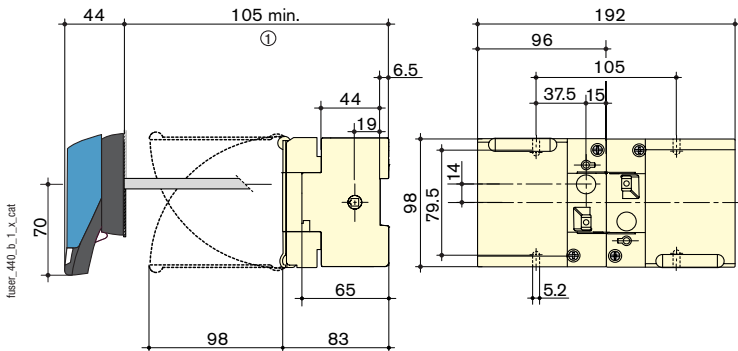
External side operation



1. With 1 U type AC: 130 mm.  
With 2 U type AC: 155 mm.

### NFC and DIN - FUSERBLOC 25 to 32 A in size 10 x 38 and 14 x 51

External front operation fuse combination changeover

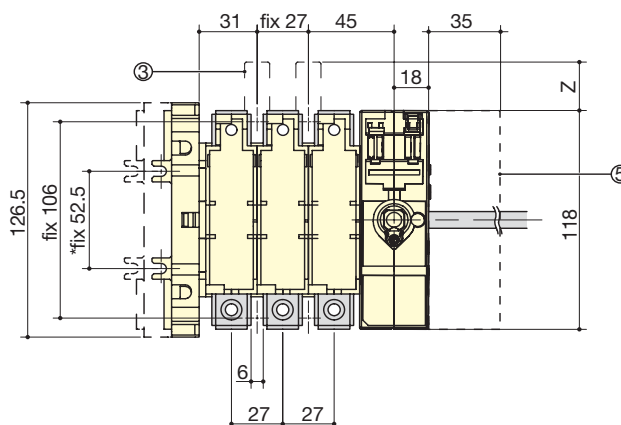
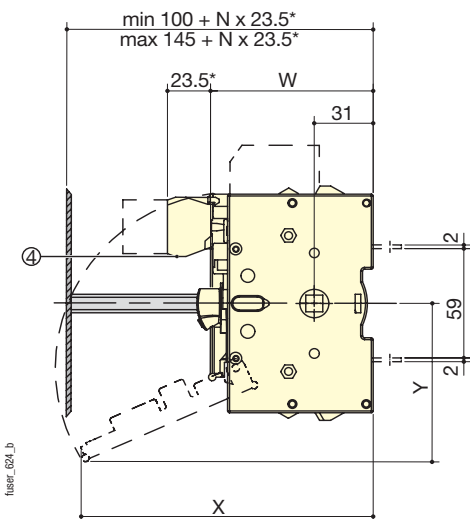
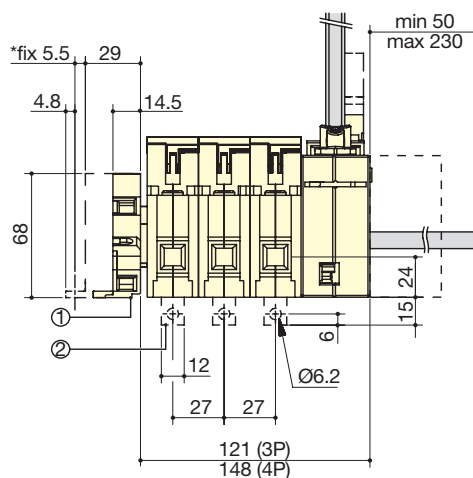


1. With 1 U type AC: 130 mm.  
With 2 U type AC: 155 mm.

## External front or right side operation

BS88 - FUSERBLOC 32 A in fuse size A1

NFC and DIN - FUSERBLOC 50 A in fuse size 14 x 51



\* to use if pre-break auxiliary contact number > 4  
W : 84.5 for BS88 ; 87 for NFC and DIN  
X : 153 only for DIN  
Y : 85 only for DIN  
Z : 26 only for DIN

1. S type auxiliary contact NO + NC to use if block number > 4  
2. Rear connection (option)  
3. 1 or 2 pre-break auxiliary contact (fuse blown indication)  
4. 1 to 4 pre-break auxiliary contact for signalisation  
5. Additional contact holder for U type AC

### ➤ Dimensions for external handles

BS88 - FUSERBLOC 32 to 63 A  
NFC and DIN - FUSERBLOC 25 to 63 A

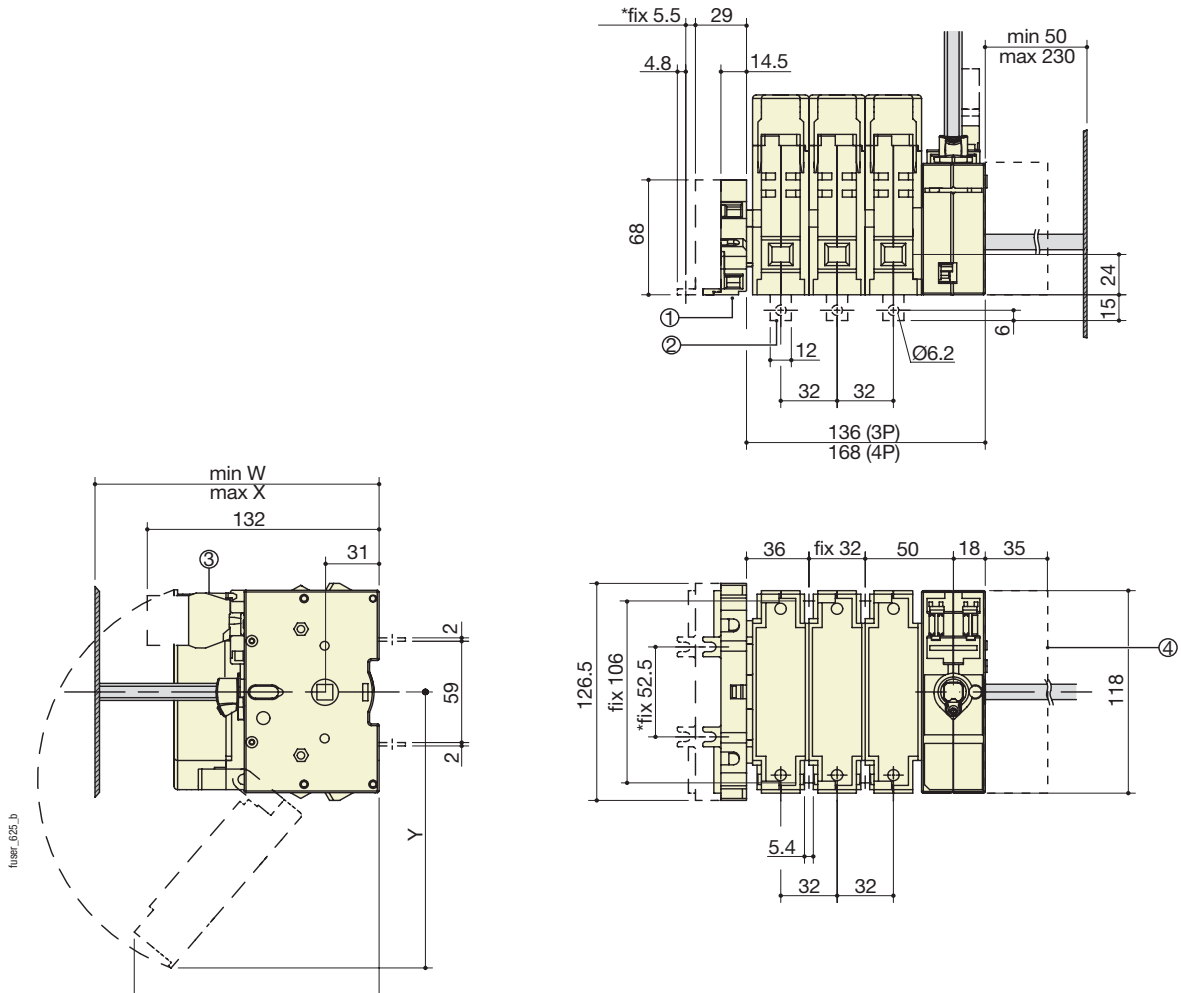
| Handle type                          | Front operation        |               | Side operation         |               |
|--------------------------------------|------------------------|---------------|------------------------|---------------|
|                                      | Direction of operation | Door drilling | Direction of operation | Door drilling |
| <b>S1 type</b><br>Box size 0<br><br> |                        |               |                        |               |



## External front or right side operation

BS88 - FUSERBLOC 63 A in fuse size A2 - A3

NFC and DIN - FUSERBLOC 63 A in fuse size 00C

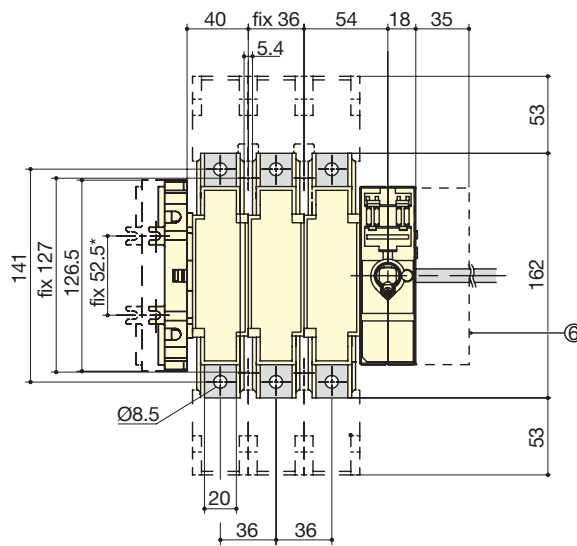
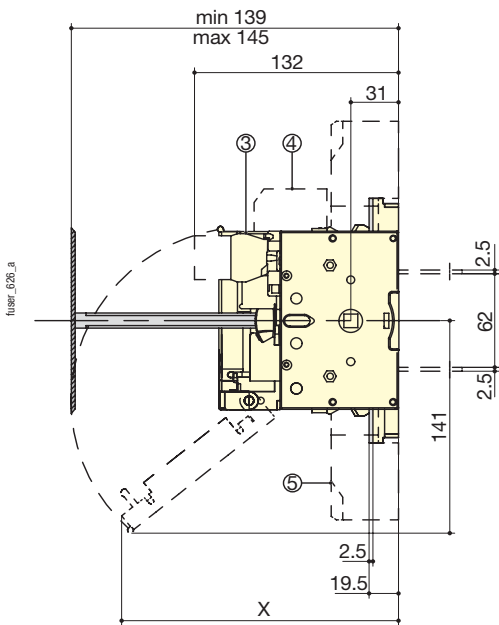
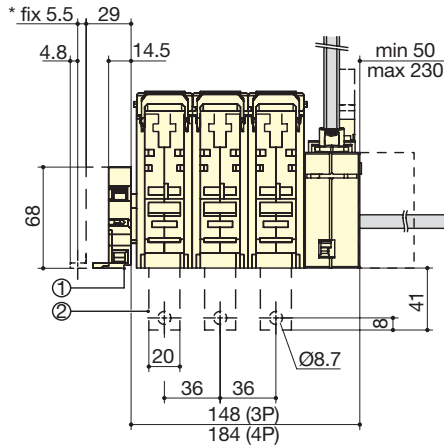


\* to use if pre-break auxiliary contact number > 4  
 W : 124 + N x 23.5 for BS88 ; 139 for NFC and DIN  
 X : 145 + N x 23.5 for BS88 ; 145 for NFC and DIN  
 Y : 159 only for DIN  
 Z : 145 only for DIN

1. S type auxiliary contact NO + NC to use if block number > 4
2. Rear connection (option)
3. 1 to 4 pre-break auxiliary contact for signalisation
4. Additional contact holder for U type AC

**BS88 - FUSERBLOC 100 A in fuse size A4 - max Ø 31 mm**

**NFC and DIN - FUSERBLOC 100 to 125 A in fuse size 22 x 58  
FUSERBLOC 125 to 160 A in fuse size 00**

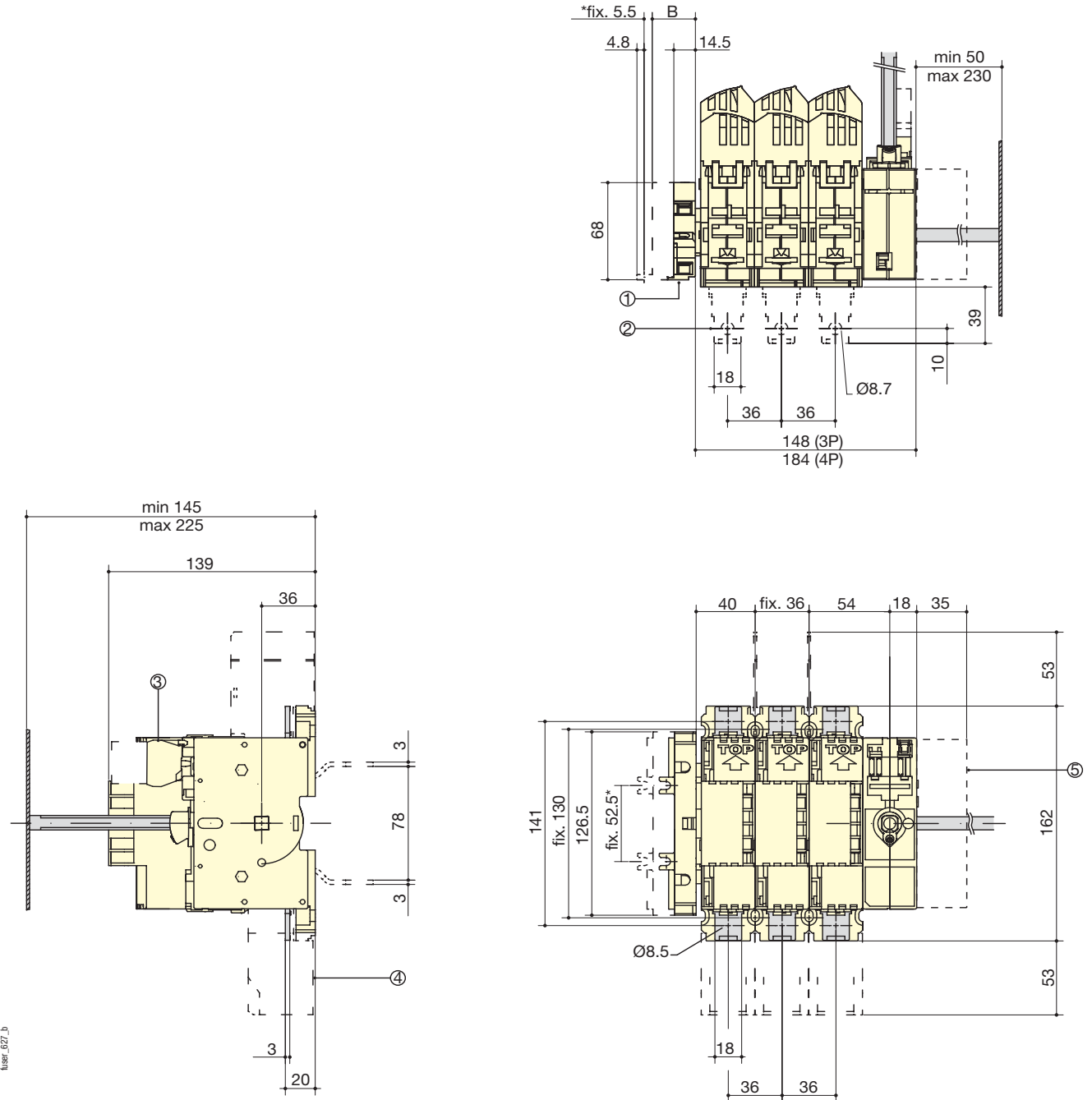


\* to use if pre-break auxiliary contact number > 4  
X : 179 for BS88 / NFC and DIN 100 to 125 A  
189 for NFC and DIN 125 to 160 A

1. S type auxiliary contact NO + NC to use if block number > 4
2. Rear connection (option)
3. 1 to 4 pre-break auxiliary contact for signalisation
4. 1 or 2 pre-break auxiliary contact (fuse blown indication)
5. Terminal shrouds
6. Additional contact holder for U type AC

## External front or right side operation

BS88 - FUSERBLOC CD 160 to CD 200 A in fuse size A3-A4 (A4 max Ø 31 mm)

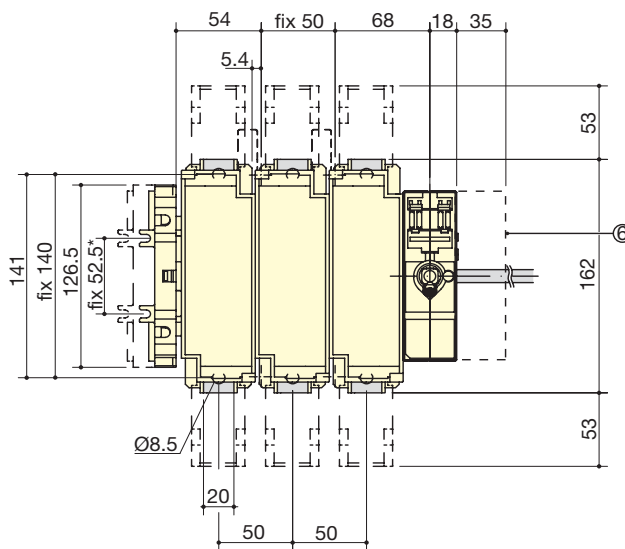
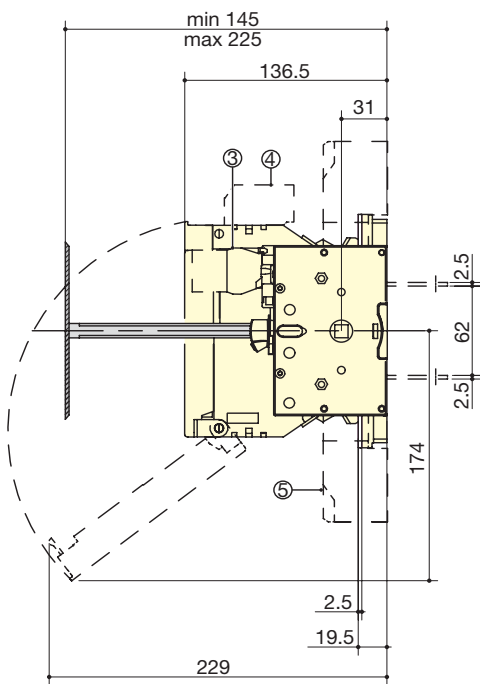
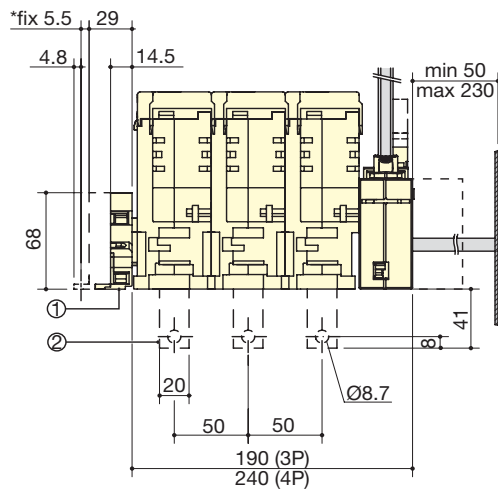


\* to use if pre-break auxiliary contact number > 4  
 1. S type auxiliary contact NO + NC to use if block number > 4  
 2. Rear connection (option)

3. 1 to 4 pre-break auxiliary contact for signalisation  
 4. Terminal shrouds  
 5. Additional contact holder for U type AC

**BS88 - FUSERBLOC 160 A in fuse size A4 & B1-B2**

**NFC and DIN - FUSERBLOC 160 A in fuse size 0**



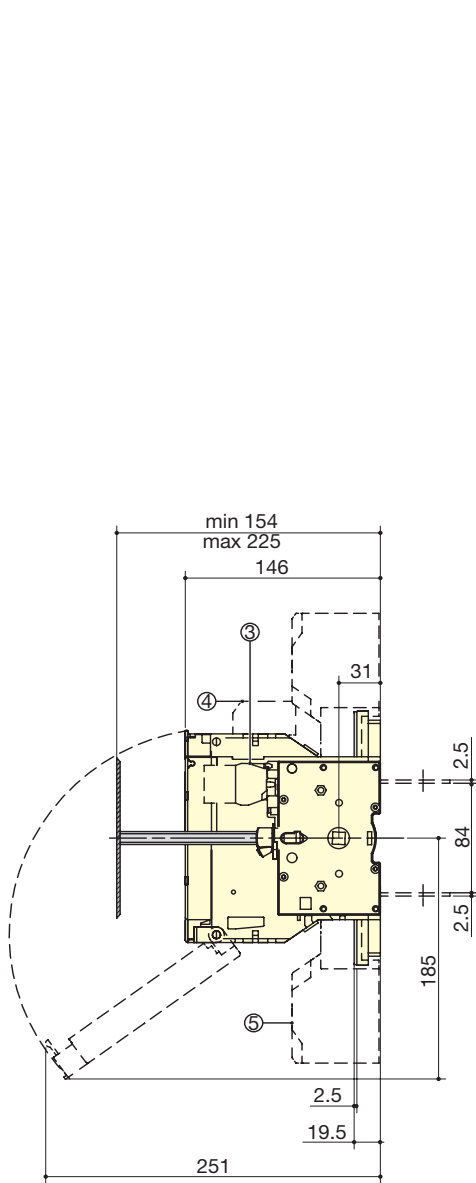
- \* to use if pre-break auxiliary contact number > 4  
 1. S type auxiliary contact NO + NC to use if block number > 4  
 2. Rear connection (option)  
 3. 1 to 4 pre-break auxiliary contact for signalisation

4. 1 or 2 pre-break auxiliary contact (fuse blown indication)  
 5. Terminal shrouds  
 6. Additional contact holder for U type AC

## External front or right side operation

BS88 - FUSERBLOC 200 A in fuse size B1-B2  
FUSERBLOC 250 A in fuse size B1-B2-B3

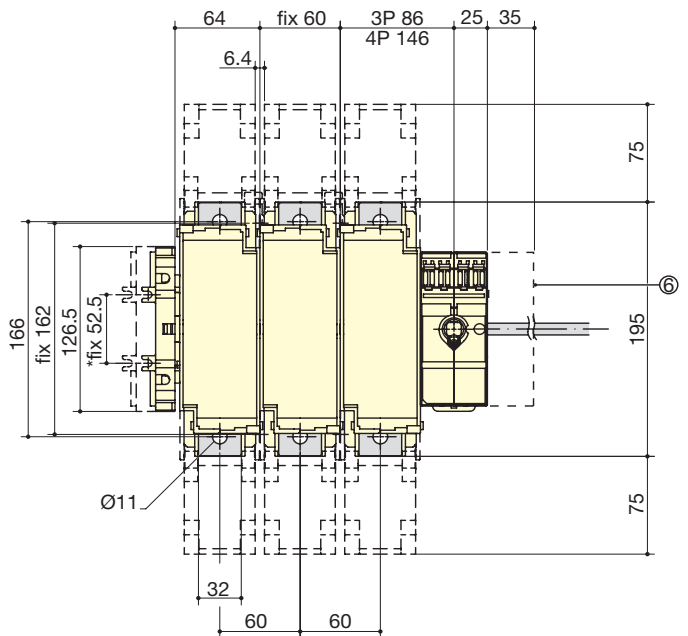
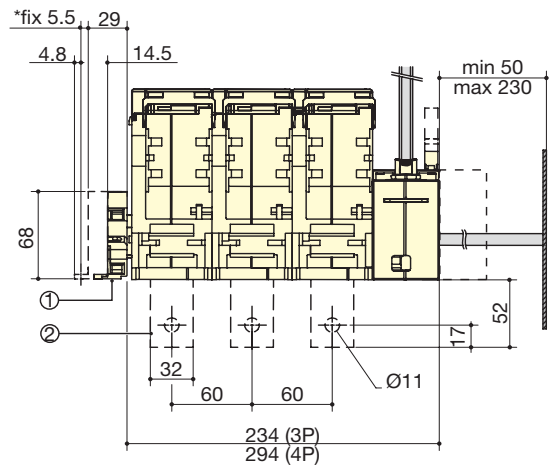
NFC and DIN - FUSERBLOC 250 A in fuse size 1



fuser\_020\_b

\* to use if pre-break auxiliary contact number > 4

1. S type auxiliary contact NO + NC to use if block number > 4
2. Rear connection (option)
3. 1 to 8 pre-break auxiliary contact for signalisation



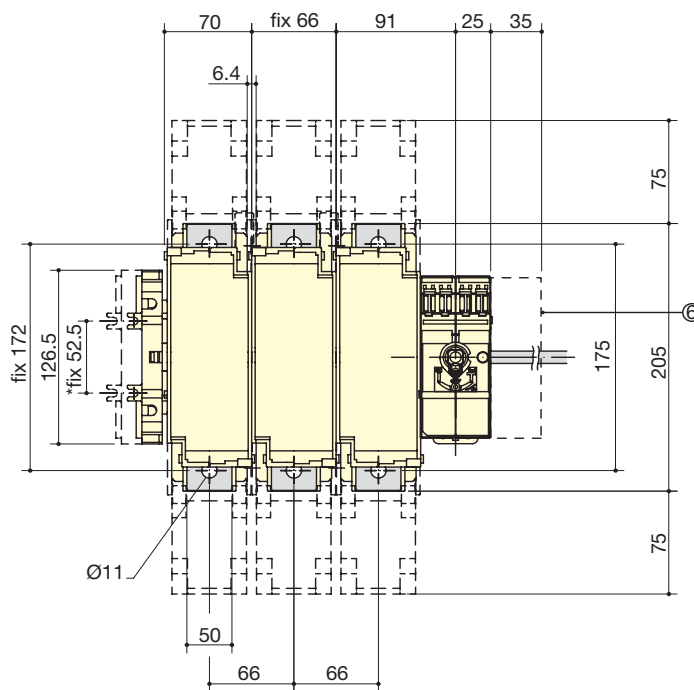
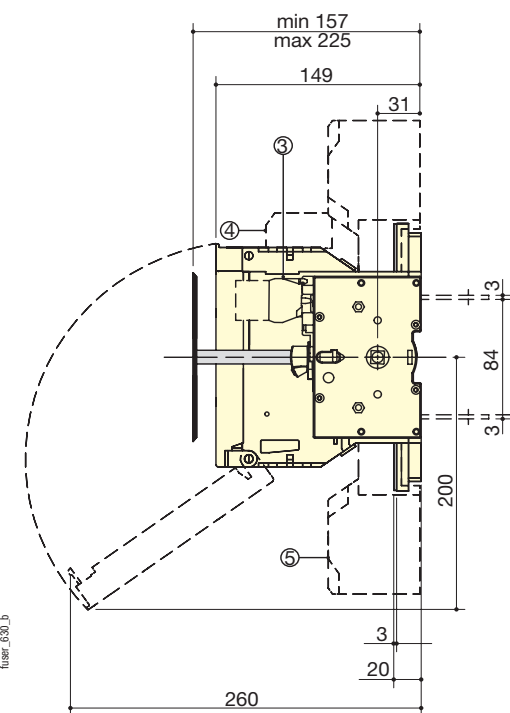
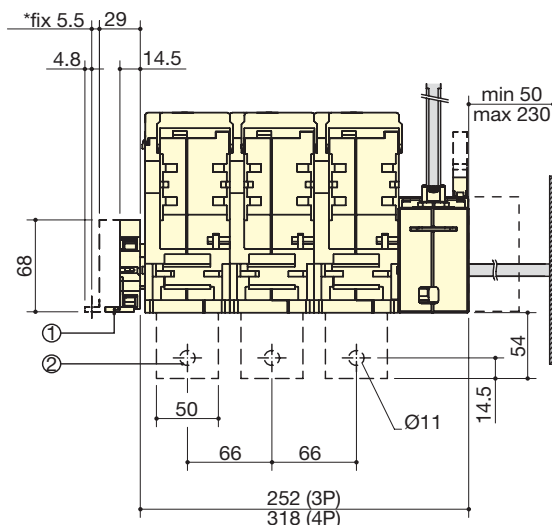
4. 1 or 2 pre-break auxiliary contact (fuse blown indication)

5. Terminal shrouds
6. Additional contact holder for U type AC

**BS88 - FUSERBLOC 315 A in fuse size B1-B2-B3**  
**FUSERBLOC 400 A in fuse size B1-B2-B3-B4**

**NFC and DIN - FUSERBLOC 400 A in fuse size 2**

- \* to use if pre-break auxiliary contact number > 4
1. S type auxiliary contact NO + NC to use if block number > 4
  2. Rear connection (option)
  3. 1 to 8 pre-break auxiliary contact for signalisation
  4. 1 or 2 pre-break auxiliary contact (fuse blown indication)
  5. Terminal shrouds
  6. Additional contact holder for U type AC



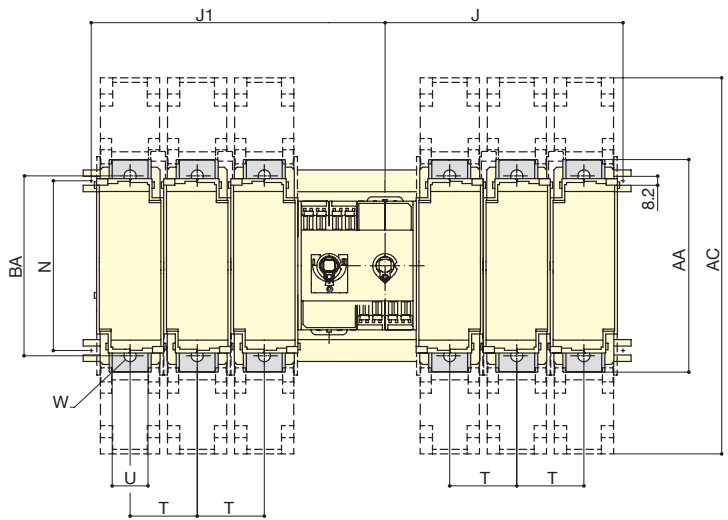
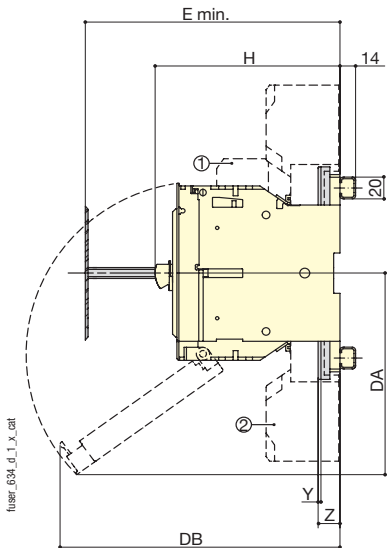
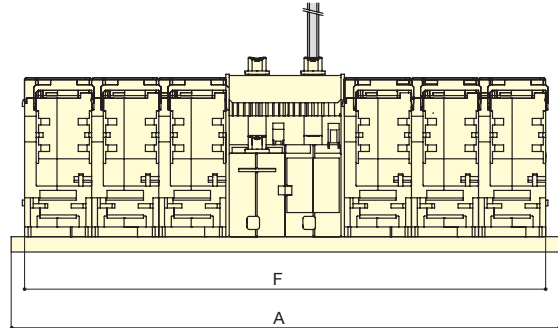
↻ **Dimensions for external handles**

**BS88 / NFC and DIN - FUSERBLOC 100 to 400 A**

| Handle type                              | Front operation        |               | Side operation         |               |
|--|------------------------|---------------|------------------------|---------------|
|  | Direction of operation | Door drilling | Direction of operation | Door drilling |
| <b>S2 type</b><br>Box size 11-16<br><br> |                        |               |                        |               |

# BS88 - External front operation fuse combination changeover

FUSERBLOC 32 to 400 A



- A. S1 handle: 32 and 63 A
- B. S2 handle: 100 to 400 A
- C. Door drilling

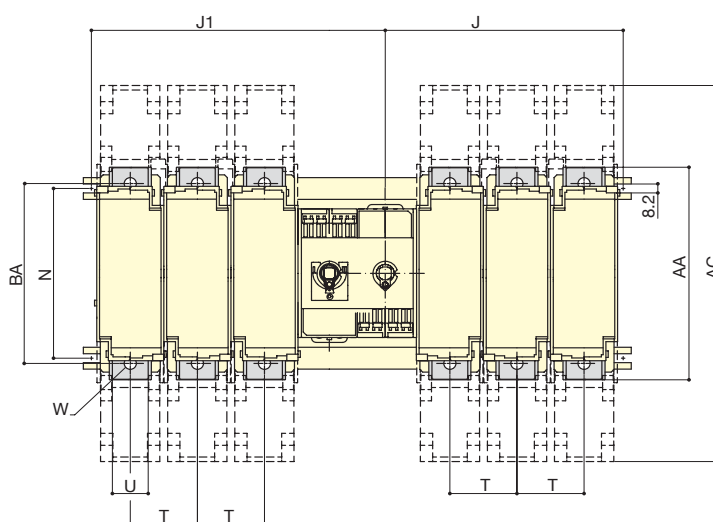
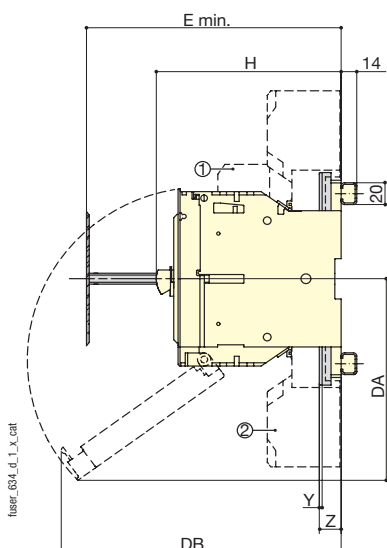
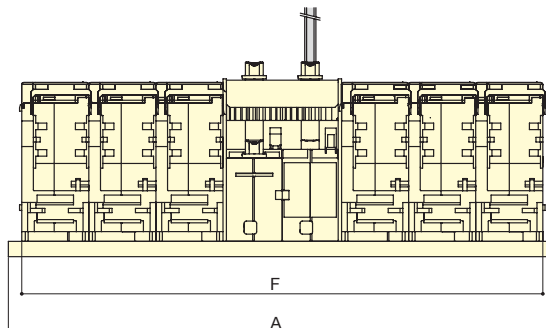
- 1. Fuse blown indication not available for BS88
- 2. Terminal shrouds

| Rating (A) | Fuse size   | Frame size | Dimensions |       |                    |                    | Terminal shrouds AC | Switch body |       |                      |       | Switch mounting |        | Connection |     |     |     |    | AA | BA  |     |      |     |     |  |     |  |
|------------|-------------|------------|------------|-------|--------------------|--------------------|---------------------|-------------|-------|----------------------|-------|-----------------|--------|------------|-----|-----|-----|----|----|-----|-----|------|-----|-----|--|-----|--|
|            |             |            | A 3p.      | A 4p. | E min              | E max              |                     | F 3p.       | F 4p. | H                    | J 3p. | J 4p.           | J1 3p. | J1 4p.     | DA  | DB  | N   | T  |    |     | U   | W    | Y   | Z   |  |     |  |
| 32         | A1          | 11         | 264        | 318   | 100 <sup>(1)</sup> | 146 <sup>(1)</sup> |                     | 242         | 296   | 87                   | 102   | 129             | 138    | 165        | 85  | 153 | 90  | 27 |    |     |     |      |     |     |  | 118 |  |
| 63         | A2-A3       | 12         | 294        | 358   | 124                | 145                |                     | 272         | 336   | 116.5 <sup>(2)</sup> | 121   | 153             | 157    | 189        | 159 | 145 | 90  | 32 |    |     |     |      |     |     |  | 118 |  |
| 100        | A4          | 13         | 318        | 390   | 124                | 145                | 268                 | 296         | 368   | 116 <sup>(2)</sup>   | 133   | 169             | 169    | 205        | 141 | 179 | 128 | 36 | 20 | 8.5 | 2.5 | 19.5 | 162 | 141 |  |     |  |
| CD 160     | A3-A4       | 13a        | 318        | 390   | 145                | 225                | 268                 | 296         | 368   | 139                  | 133   | 169             | 169    | 205        |     |     | 128 | 36 | 18 | 8.5 | 3   | 20   | 162 | 141 |  |     |  |
| 160        | A4          | 14         | 402        | 502   | 124                | 225                | 268                 | 380         | 480   | 136.5                | 176   | 226             | 212    | 262        | 174 | 229 | 128 | 50 | 20 | 8.5 | 2.5 | 19.5 | 162 | 141 |  |     |  |
| 160        | B1-B2       | 14         | 402        | 502   | 130                | 225                | 268                 | 380         | 480   | 136.5                | 176   | 226             | 212    | 262        | 174 | 229 | 128 | 50 | 20 | 8.5 | 2.5 | 19.5 | 162 | 141 |  |     |  |
| CD 200     | A3-A4       | 13a        | 318        | 390   | 145                | 225                | 268                 | 296         | 368   | 139                  | 133   | 169             | 169    | 205        |     |     | 128 | 36 | 18 | 8.5 | 3   | 20   | 162 | 141 |  |     |  |
| 200        | B1-B2       | 15         | 490        | 610   | 130                | 225                | 345                 | 468         | 588   | 146                  | 213   | 273             | 263    | 323        | 185 | 251 | 155 | 60 | 32 | 11  | 2.5 | 19.5 | 195 | 166 |  |     |  |
| 250        | B1-B2-B3    | 15         | 490        | 610   | 154                | 225                | 345                 | 468         | 588   | 146                  | 213   | 273             | 263    | 323        | 185 | 251 | 155 | 60 | 32 | 11  | 2.5 | 19.5 | 195 | 166 |  |     |  |
| 315        | B1-B2-B3    | 16         | 526        | 658   | 154                | 225                | 355                 | 504         | 636   | 149                  | 231   | 297             | 281    | 347        | 200 | 260 | 168 | 66 | 50 | 11  | 3   | 20   | 205 | 175 |  |     |  |
| 400        | B1-B2-B3-B4 | 16         | 526        | 658   | 157                | 225                | 355                 | 504         | 636   | 149                  | 231   | 297             | 281    | 347        | 200 | 260 | 168 | 66 | 50 | 11  | 3   | 20   | 205 | 175 |  |     |  |

(1) 1 AC: + 23.5 mm / 2 AC: + 47 mm.  
 (2) 132 mm with 2 AC.

# NFC and DIN - External front operation fuse combination changeover

FUSERBLOC 50 to 400 A



- A. S1 handle: 50 and 63 A
- B. S2 handle: 100 to 400 A
- C. Door drilling

- 1. Fuse blown indication not available for BS88
- 2. Terminal shrouds

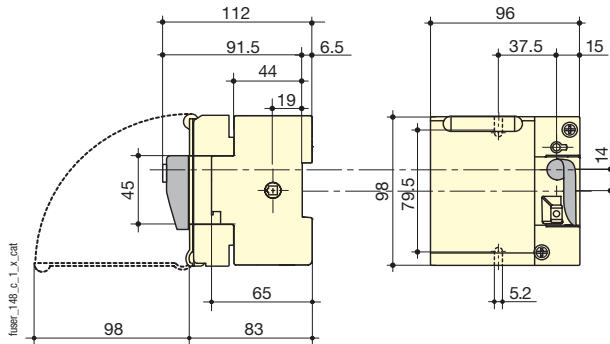
| Rating (A) | Fuse size | Frame size | Overall dimensions |      |                    |                    | Terminal shrouds AC | Switch body |       |                      |      | Switch mounting |       |       |     | Connection |     |    |    |     |     |      |     |     |  |
|------------|-----------|------------|--------------------|------|--------------------|--------------------|---------------------|-------------|-------|----------------------|------|-----------------|-------|-------|-----|------------|-----|----|----|-----|-----|------|-----|-----|--|
|            |           |            | A 3p               | A 4p | E min              | E max              |                     | F 3p.       | F 4p. | H                    | J 3p | J 4p            | J1 3p | J1 4p | DA  | DB         | N   | T  | U  | W   | Y   | Z    | AA  | BA  |  |
| 50         | 14 x 51   | 11         | 264                | 318  | 100 <sup>(1)</sup> | 146 <sup>(1)</sup> |                     | 121         | 148   | 87 <sup>(1)</sup>    | 102  | 129             | 138   | 165   | 85  | 153        | 90  | 27 |    |     |     |      |     | 118 |  |
| 63         | 00C       | 12         | 294                | 358  | 125                | 145                |                     | 136         | 168   | 116.5 <sup>(2)</sup> | 121  | 153             | 158   | 189   | 159 | 145        | 90  | 32 |    |     |     |      |     | 118 |  |
| 100        | 22 x 58   | 13         | 318                | 390  | 135                | 145                | 268                 | 148         | 184   | 116 <sup>(2)</sup>   | 133  | 169             | 169   | 205   | 141 | 187        | 128 | 36 | 20 | 8.5 | 2.5 | 19.5 | 162 | 141 |  |
| 125        | 22 x 58   | 13         | 318                | 390  | 135                | 145                | 268                 | 148         | 184   | 116 <sup>(2)</sup>   | 133  | 169             | 169   | 205   | 141 | 179        | 128 | 36 | 20 | 8.5 | 2.5 | 19.5 | 162 | 141 |  |
| 125        | 00        | 13         | 318                | 390  | 135                | 145                | 268                 | 148         | 184   | 126.5                | 133  | 169             | 169   | 205   | 141 | 193        | 128 | 36 | 20 | 8.5 | 2.5 | 19.5 | 162 | 141 |  |
| 160        | 00        | 13         | 318                | 390  | 135                | 145                | 268                 | 148         | 184   | 126.5                | 133  | 169             | 169   | 205   | 141 | 193        | 128 | 36 | 20 | 8.5 | 2.5 | 19.5 | 162 | 141 |  |
| 160        | 0         | 14         | 402                | 502  | 145                | 225                | 268                 | 190         | 240   | 136.5                | 176  | 226             | 212   | 262   | 174 | 229        | 128 | 50 | 20 | 8.5 | 2.5 | 19.5 | 162 | 141 |  |
| 250        | 1         | 15         | 490                | 610  | 154                | 225                | 345                 | 234         | 294   | 146                  | 213  | 273             | 263   | 323   | 185 | 251        | 155 | 60 | 32 | 11  | 2.5 | 19.5 | 195 | 166 |  |
| 400        | 2         | 16         | 526                | 658  | 157                | 225                | 355                 | 252         | 318   | 149                  | 231  | 297             | 281   | 347   | 200 | 260        | 168 | 66 | 50 | 11  | 3   | 20   | 205 | 175 |  |

(1) 1 AC: +23.5 / 2 AC: +47  
(2) 132 with 2 AC

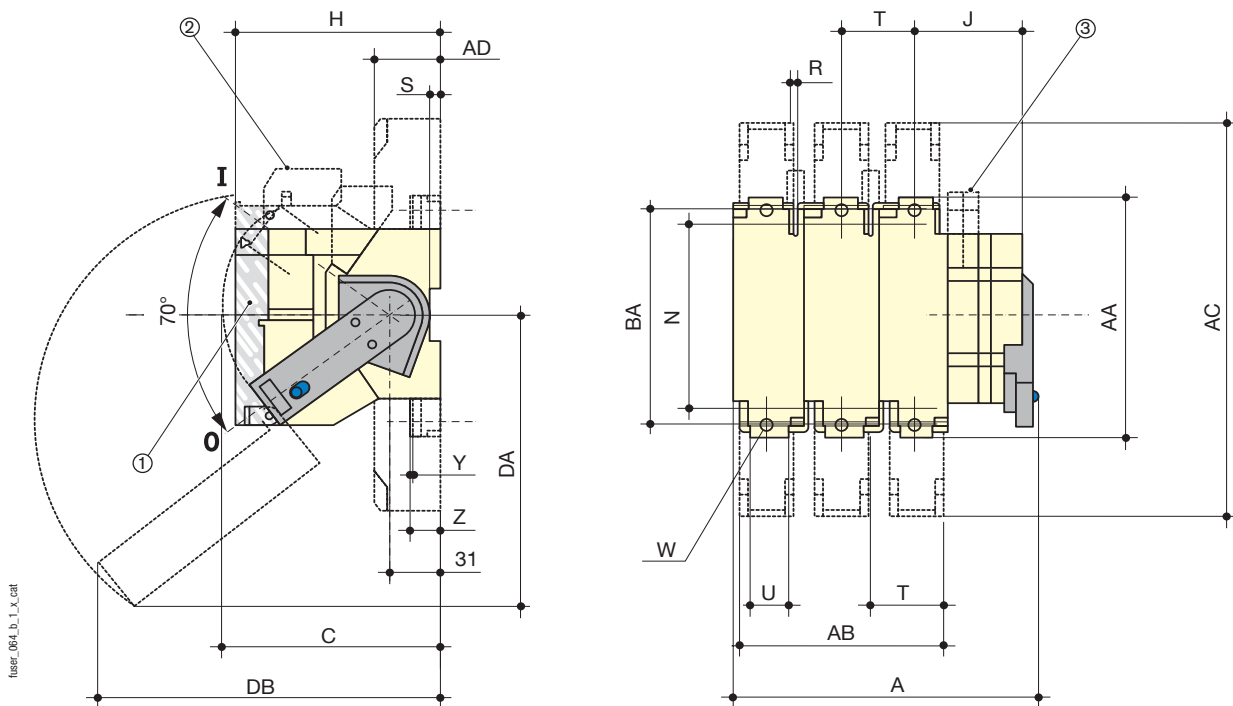


## BS88 - Direct operation

### FUSERBLOC CD 20 to CD 32 A in frame size 0 / fuse size A1



### FUSERBLOC 32 to 400 A

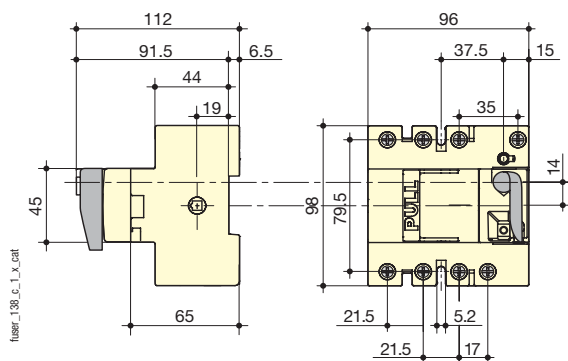


1. Protection screen lockable in position I
2. 1 or 2 fuse blown indication.
3. 1 or 2 A type ACs

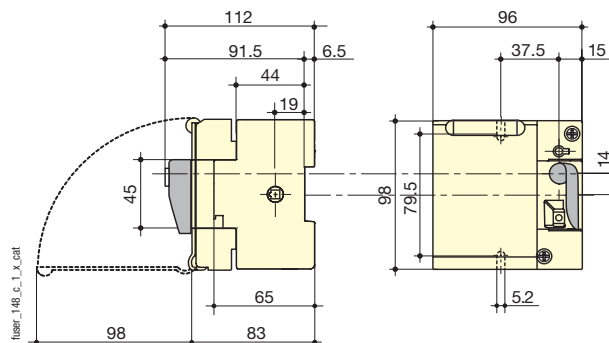
| Rating<br>(A) | Fuse size   | Frame<br>size | Dimensions |          |     | Terminal shrouds |           |     |    | Switch body |    |     |     | Switch mounting |     |     | Connection |    |     |     |      |     |     |
|---------------|-------------|---------------|------------|----------|-----|------------------|-----------|-----|----|-------------|----|-----|-----|-----------------|-----|-----|------------|----|-----|-----|------|-----|-----|
|               |             |               | A<br>3p.   | A<br>4p. | C   | AB<br>3p.        | AB<br>4p. | AC  | AD | H           | J  | DA  | DB  | N               | R   | S   | T          | U  | W   | Y   | Z    | AA  | BA  |
| 32            | A1          | 1             | 133        | 165      | 134 |                  |           |     |    | 116.5       | 36 | 159 | 145 | 106             | 5.4 | 6.5 | 27         |    |     |     |      | 118 |     |
| 63            | A2-A3       | 2             | 133        | 165      | 134 |                  |           |     |    | 116.5       | 36 | 159 | 145 | 106             | 5.4 | 6.5 | 32         |    |     |     |      | 118 |     |
| 100           | A4          | 3             | 150        | 186      | 173 | 108              | 144       | 268 | 44 | 116         | 38 |     |     | 127             | 5.4 |     | 36         | 20 | 8.5 | 2.5 | 19.5 | 162 | 141 |
| CD 160        | A3-A4       | 3a            | 152        | 188      | 173 | 108              | 144       | 268 | 44 | 139         | 38 |     |     | 130             | 5.4 |     | 36         | 20 | 8.5 | 3   | 19.5 | 162 | 141 |
| 160           | A4          | 4             | 150        | 186      | 173 | 108              | 144       | 268 | 44 | 116         | 38 |     |     | 127             | 5.4 |     | 50         | 20 | 8.5 | 2.5 | 19.5 | 162 | 141 |
| 160           | B1-B2       | 4             | 192        | 242      | 173 | 136              | 172       | 268 | 44 | 123         | 45 |     |     | 140             | 5.4 |     | 50         | 20 | 8.5 | 2.5 | 19.5 | 162 | 141 |
| CD 200        | A3-A4       | 3a            | 152        | 188      | 173 | 108              | 144       | 268 | 44 | 139         | 38 |     |     | 130             | 5.4 |     | 36         | 20 | 8.5 | 3   | 19.5 | 162 | 141 |
| 200           | B1-B2       | 5             | 192        | 242      | 173 | 136              | 172       | 345 | 44 | 123         | 45 |     |     | 140             | 5.4 |     | 60         | 20 | 8.5 | 2.5 | 19.5 | 195 | 166 |
| 250           | B1-B2-B3    | 5             | 253        | 313      | 173 | 180              | 240       | 345 | 65 | 146         | 81 | 185 | 251 | 162             | 6.4 |     | 60         | 32 | 11  | 2.5 | 19.5 | 195 | 166 |
| 315           | B1-B2-B3    | 6             | 253        | 313      | 173 | 180              | 240       | 355 | 65 | 146         | 81 | 185 | 251 | 162             | 6.4 |     | 66         | 32 | 11  | 2.5 | 19.5 | 195 | 175 |
| 400           | B1-B2-B3-B4 | 6             | 271        | 337      | 173 | 192              | 258       | 355 | 65 | 149         | 86 | 200 | 260 | 172             | 6.4 |     | 66         | 50 | 11  | 3   | 20   | 205 | 175 |

## NFC and DIN - Direct operation

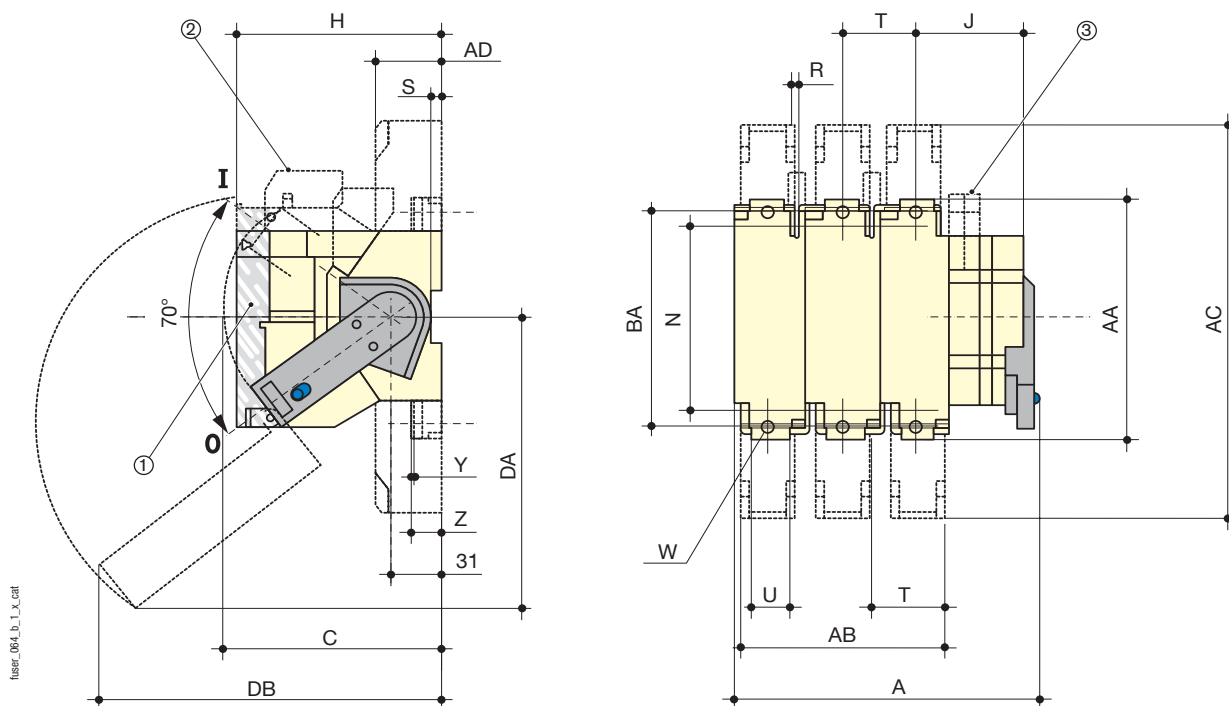
**FUSERBLOC 25 to 32 A in frame size 0 / fuse size 10 x 38**



**FUSERBLOC 32 A in frame size 0 / fuse size 14 x 51**



**FUSERBLOC 50 to 400 A**

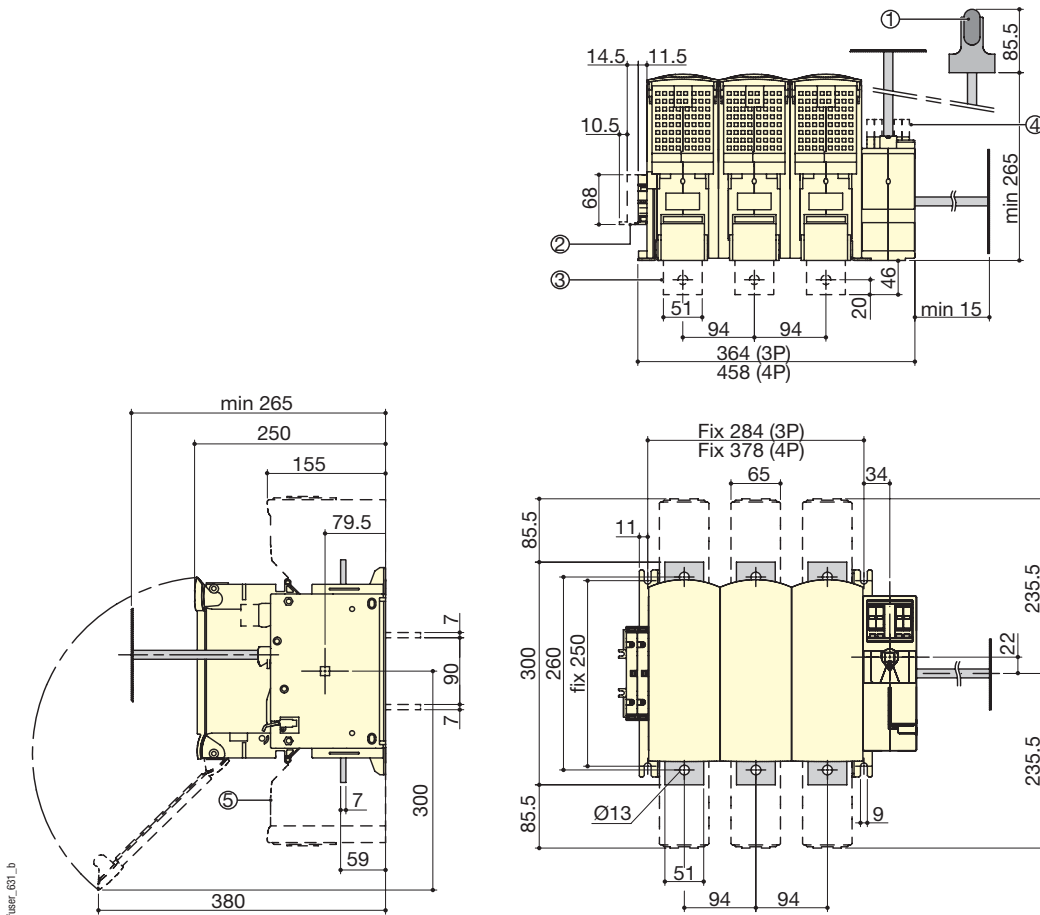


1. Protection screen lockable in position I
2. 1 or 2 fuse blown indication.
3. 1 or 2 A type ACs

| Rating (A) | Fuse size | Frame size | Overall dimensions |       |     | Terminal shrouds |        |     | Switch body |       |      |     | Switch mounting |     |     | Connection |    |    |     |     |      |     |     |  |
|------------|-----------|------------|--------------------|-------|-----|------------------|--------|-----|-------------|-------|------|-----|-----------------|-----|-----|------------|----|----|-----|-----|------|-----|-----|--|
|            |           |            | A 3p.              | A 4p. | C   | AB 3p.           | AB 4p. | AC  | AD          | H     | J    | DA  | DB              | N   | R   | S          | T  | U  | W   | Y   | Z    | AA  | BA  |  |
| 50         | 14 x 51   | 1          | 118                | 145   | 134 |                  |        |     |             | 87    | 33.5 |     |                 | 106 | 5.4 | 6.5        | 27 |    |     |     |      |     | 118 |  |
| 63         | 00C       | 2          | 133                | 165   | 134 |                  |        |     |             | 116.5 | 36   | 159 | 145             | 106 | 5.4 | 6.5        | 32 |    |     |     |      |     | 118 |  |
| 100        | 22 x 58   | 3          | 150                | 186   | 173 | 108              | 144    | 268 | 44          | 116   | 38   |     |                 | 127 | 5.4 |            | 36 | 20 | 8.5 | 2.5 | 19.5 | 162 | 141 |  |
| 125        | 22 x 58   | 3          | 150                | 186   | 173 | 108              | 144    | 268 | 44          | 116   | 38   |     |                 | 127 | 5.4 |            | 36 | 20 | 8.5 | 2.5 | 19.5 | 162 | 141 |  |
| 125        | 00        | 3          | 150                | 186   | 173 | 108              | 144    | 268 | 44          | 126.5 | 38   | 141 | 193             | 127 | 5.4 |            | 36 | 20 | 8.5 | 2.5 | 19.5 | 162 | 141 |  |
| 160        | 00        | 3          | 150                | 186   | 173 | 108              | 144    | 268 | 44          | 126.5 | 38   | 141 | 189             | 127 | 5.4 |            | 36 | 20 | 8.5 | 2.5 | 19.5 | 162 | 141 |  |
| 160        | 0         | 4          | 192                | 242   | 173 | 136              | 172    | 268 | 44          | 136.5 | 45   | 174 | 229             | 140 | 5.4 |            | 50 | 20 | 8.5 | 2.5 | 19.5 | 162 | 141 |  |
| 250        | 1         | 5          | 253                | 313   | 173 | 180              | 240    | 345 | 65          | 146   | 81   | 185 | 251             | 162 | 6.4 |            | 60 | 32 | 11  | 2.5 | 19.5 | 195 | 166 |  |
| 400        | 2         | 6          | 271                | 337   | 173 | 192              | 258    | 355 | 65          | 149   | 86   | 200 | 260             | 172 | 6.4 |            | 66 | 50 | 11  | 3   | 20   | 205 | 175 |  |

## Direct and external front or right side operation

BS88 - FUSERBLOC 630 A in fuse size C1-C2  
 FUSERBLOC 800 A in fuse size C1-C2-C3  
 NFC and DIN - FUSERBLOC 630 to 800 A in fuse size 3



1. Direct operation
2. S type auxiliary contact NO + NC
3. Rear connection (option)
4. 1 to 8 pre-break auxiliary contact for signalisation
5. Terminal shrouds

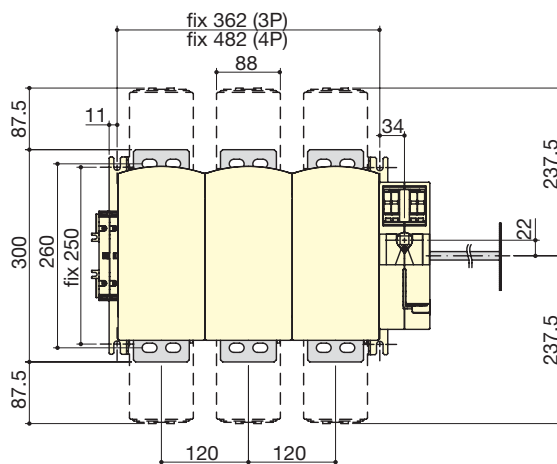
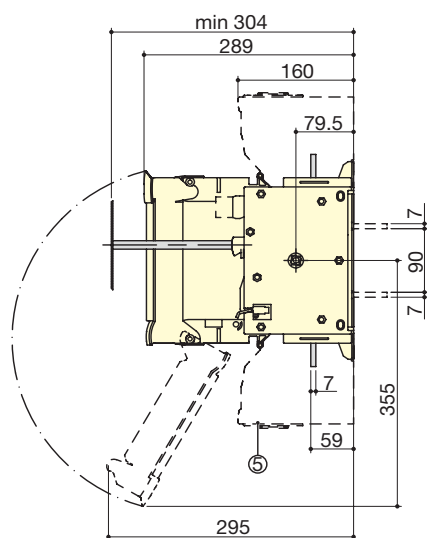
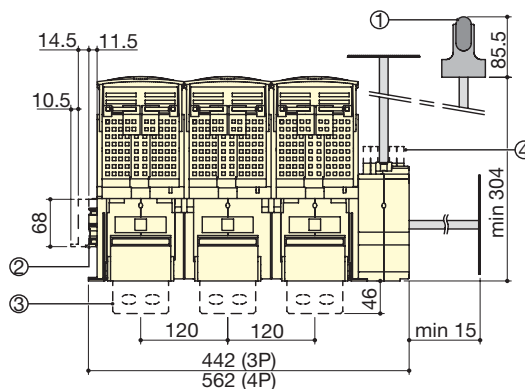
### ➔ Dimensions for external handles

FUSERBLOC 630 to 800 A

| Handle type                       | Front operation        |               | Side operation         |               |
|-----------------------------------|------------------------|---------------|------------------------|---------------|
|                                   | Direction of operation | Door drilling | Direction of operation | Door drilling |
| <b>S3 type</b><br>Box size 17<br> |                        |               |                        |               |

**BS88 - FUSERBLOC 1250 A in fuse size D1**  
**NFC and DIN - FUSERBLOC 800 to 1250 A in fuse size 4**

1. Direct operation
2. S type auxiliary contact NO + NC
3. Rear connection (option)
4. 1 to 8 pre-break auxiliary contact for signalisation
5. Terminal shrouds



fuser\_032\_b

**FUSERBLOC 800 to 1250 A**

| Handle type                                   | Front operation<br>Direction of operation | Side operation<br>Direction of operation | Door drilling |
|---|---|--|---------------|
| <p><b>S3 type</b><br/>Box size 18<br/>Ø78</p> |   |  |               |
| <p><b>S4 type</b><br/>Ø78</p>                 |   |  |               |

fuser\_715\_a\_1\_0b\_cat