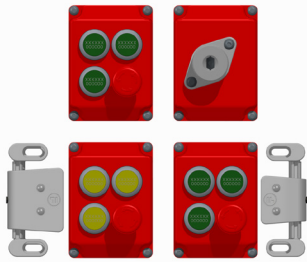


Option Pods

**proOption Pods - Lamps, Pushbuttons and Keyswitch**



**proOption Pod** module is used to either to add to an amGardpro unit, or use as a standalone product. It may be used to include the use of pushbuttons, selector switches, lamps, E-Stops, and/or Magnetic/RFID sensors within one enclosure. Alternatively, it can be used to house a keyswitch, controlled using a standard Fortress lock and key arrangement.

**proOption Pod - Lamps/Pushbuttons**

Lamp Option Pod is an Ideal complimentary module where multiple interlocks are used to enhanced identification of status. Pushbutton Option Pod is ideal for use as an emergency stop or request to start/stop.

**Lamps**

- Easy, clear identification of machine status.
- Can be configured up to three lamps.

**Pushbuttons**

- Request start/stop at the gate.
- Can be configured up to three pushbuttons.
- Illuminated pushbuttons.
- 2 Position selector switch.
- eStop.
  - 2 NC Safety contacts
  - Twist or Pull
  - Illuminated option for twist

**proOption Pod - Keyswitch**

The removal of the key operates a set of switches. These can be used for a variety of functions including:-

- Requesting machine stop at the end of a rundown cycle.
- Enabling teach mode activation.
- Preventing inadvertent re-start.
- Contains 2NC/2NO contact arrangement.
- Switch rating 3A.
- Can be used as a 'stand alone' key switch.

**proOption Pod - Sensors**

To provide a contactless means of verifying the door open/closed position. This may be used as the primary door sensor when a stand alone option pod is used, or as a means of adding a secondary (coded) door sensor to a full door interlock product.

- PLe
- Coded Magnet
- RFID Sensor

Approvals

proOption Pod Options				
Pushbuttons		Lamps	Selector Switch	Contactless Sensor
Illuminated	Non-illuminated			
Red	Black	Red	Illuminating Latching	Coded Magnet
Yellow	E-Stop (Twist release)	Yellow	Illuminating Momentary	RFID
Green	E-Stop (Pull release)	Green		
Blue		Blue		
White		White		
E-Stop (Twist)				

Safety Functions - proOption Pods		Part No
Safety Function 1	Turns mechanical movement of lock into operation of safety contacts	BK

**proOption Pod Technical Specification**

		propod Lamps	propod Pushbutton	propod Keyswitch	propod Sensor
Housing Materials	Zinc Alloy to BS1004A	•	•	•	•
Paint Finishes	Gloss Powder Coat on Passivated bodies	•	•	•	•
Ingress Protection		• IP65	• IP65	• IP67	• IP67
Operating Force	0.5Nm			•	
Performance Level	PLe			•	•
B10d	5,000,000			•	
B10d	7,300,000				•
Ambient Temperature	-5°C to +60°C (23°F to 140°F)	•	•	•	•
Cable Size	26-14 AWG	•	•	•	•
Connector Type	Spring Activated Vibration Proof Block	•	•	•	•
Control Voltages	24V DC	•	•	•	•
Lamp Life	100,000 hrs on time	•	•		
Switches Conformance	DIN VDE 0060 Part 206 & IEC 947-5-1		•	•	
Switching Contact Element	Emergency Stop - 2NC		•		
	Pushbutton - 1NO		•		
	Keyswitch - 2NC/2NO			•	
	RFID - 2NC/1NO				•
	Coded Magnet - 2NC				•
Safety Switching Principal	Positive Break			•	
EStop Switching Principal	Positive Break		•		
Maximum Switch Current			<b>0.1A</b>	<b>3A</b>	
Maximum Switching Voltage	230V ac			•	
Utilisation Category	AC 15 or DC 13			•	
Environment	Indoor & Outdoor	•	•	•	•



## Option Pods

**proOption Pods - Lamps, Pushbuttons and Keyswitch**

<b>Keyswitch proOption Pod - Selecting / Ordering Information</b>					
Option Pod Version	Lock Type	Lock Description	Key	Part No.	Item No.
Stand Alone Pod	CLIN	Standard CL lock no dustcover	x	BK01	ITM-00039403
Stand Alone Pod	CLIS	Standard CL lock with stainless steel dustcover	x	BK02	ITM-00039404
Stand Alone Pod	CLIL	Standard CL lock with padlockable stainless steel dustcover	x	BK03	ITM-00039405
Stand Alone Pod	MLIN	Masterable CL lock no dustcover	x	BK06	ITM-00039406
Stand Alone Pod	MLIS	Masterable CL lock with stainless steel dustcover	x	BK07	ITM-00039407
Stand Alone Pod	MLIL	Masterable CL lock with padlockable stainless steel dustcover	x	BK08	ITM-00039408
To suit proStop Body	CLIN	Standard CL lock no dustcover	x	BK11	ITM-00039409
To suit proStop Body	CLIS	Standard CL lock with stainless steel dustcover	x	BK12	ITM-00039410
To suit proStop Body	CLIL	Standard CL lock with padlockable stainless steel dustcover	x	BK13	ITM-00039411
To suit proStop Body	MLIN	Masterable CL lock no dustcover	x	BK16	ITM-00039412
To suit proStop Body	MLIS	Masterable CL lock with stainless steel dustcover	x	BK17	ITM-00039413
To suit proStop Body	MLIL	Masterable CL lock with padlockable stainless steel dustcover	x	BK18	ITM-00039414
To suit proLok Body	CLIN	Standard CL lock no dustcover	x	BK21	ITM-00039415
To suit proLok Body	CLIS	Standard CL lock with stainless steel dustcover	x	BK22	ITM-00039416
To suit proLok Body	CLIL	Standard CL lock with padlockable stainless steel dustcover	x	BK23	ITM-00039417
To suit proLok Body	MLIN	Masterable CL lock no dustcover	x	BK26	ITM-00039418
To suit proLok Body	MLIS	Masterable CL lock with stainless steel dustcover	x	BK27	ITM-00039419
To suit proLok Body	MLIL	Masterable CL lock with padlockable stainless steel dustcover	x	BK28	ITM-00039420




**Option Pods**


**proOption Pods - Lamps, Pushbuttons and Keyswitch**

**Pushbutton / Lamps / Sensor proOption Pod - Selecting / Ordering Information**

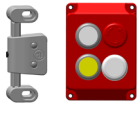
**Body Version Rules:**  
To configure this product:-  
1. Select Body Version , eg B1



2. Select Buttons/Lamps, eg W E Y 7. \* Note if no button/Lamp required = 0




3. Select Sensors, eg C

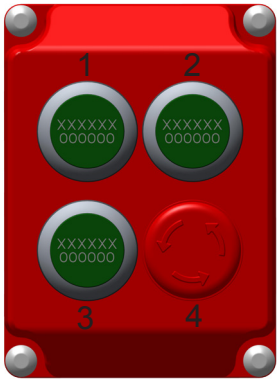


All buttons/Lamps/Selector Switches are ordered in the following sequence:  
Top Left, Top Right, Bottom Left, Bottom Right.  
Note: Only 1 E-Stop may be fitted into any assembly. All pushbuttons are rated at 24VDC max, switching capacity of 0.5A.

1. Select proOption Body	
Pushbutton / Lamp / Sensor proOption Pod Version	Part No.
Stand Alone Pod	B0
To suit proStop Body	B1
To suit proLok Body	B2



**Laser Engraving Information**  
Engraving for each button:-  
2 Lines of 8 Characters

<p>2. Select proOption Body Buttons / Lamps / Switches</p>  <p><b>Ordering Sequence</b> 1 - Top Left 2 - Top Right 3 - Bottom Left 4 - Bottom Right</p>	Button Type	Colour / Option	Part No.	
		Illuminated Buttons:	Red	R
			Yellow	Y
			Green	G
			Blue	B
			White	W
			E-Stop (Twist)	U
			E-Stop (with additional monitoring contacts)	H
		Non-illuminated Buttons:	Black	K
			E-Stop (Twist)	E
			E-Stop (Pull)	P
		Lamps:	Red	1
			Yellow	2
			Green	3
			Blue	6
			White	7
		Illuminated Selector Switch:	Latching	L*
			Momentary	M*
		Latching Selector Switch (1NO 1NC)	V	
		Latching Key Switch (90 Degree)	A*	
	Blank:	No Button Fitted	0	

**L, M & A Options can only be fitted in top right or bottom left positions**

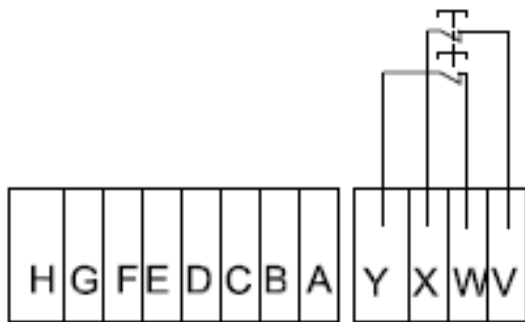
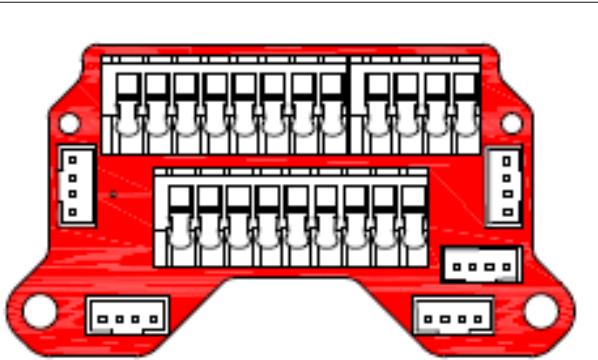
3. Select Sensor Type if required.	No Sensor	N/A	N
	Magnetic Sensor - Left Hand	Unique Coding	C
	Magnetic Sensor - Right Hand	Unique Coding	D
	RFID Sensor - Left Hand	High Coding	S
	RFID Sensor - Right Hand	High Coding	T



Option Pods

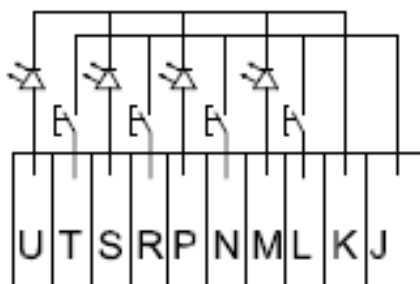
proOption Pods - Lamps, Pushbuttons and Keyswitch

proOption Pod - Terminal Layout - Pushbuttons, Lamps and Sensors



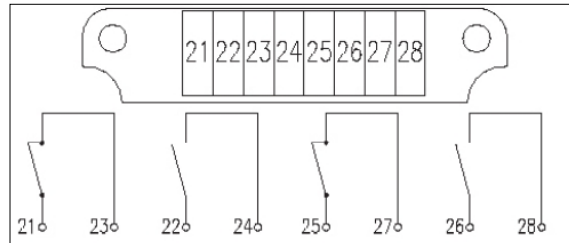
SENSOR CONNECTIONS

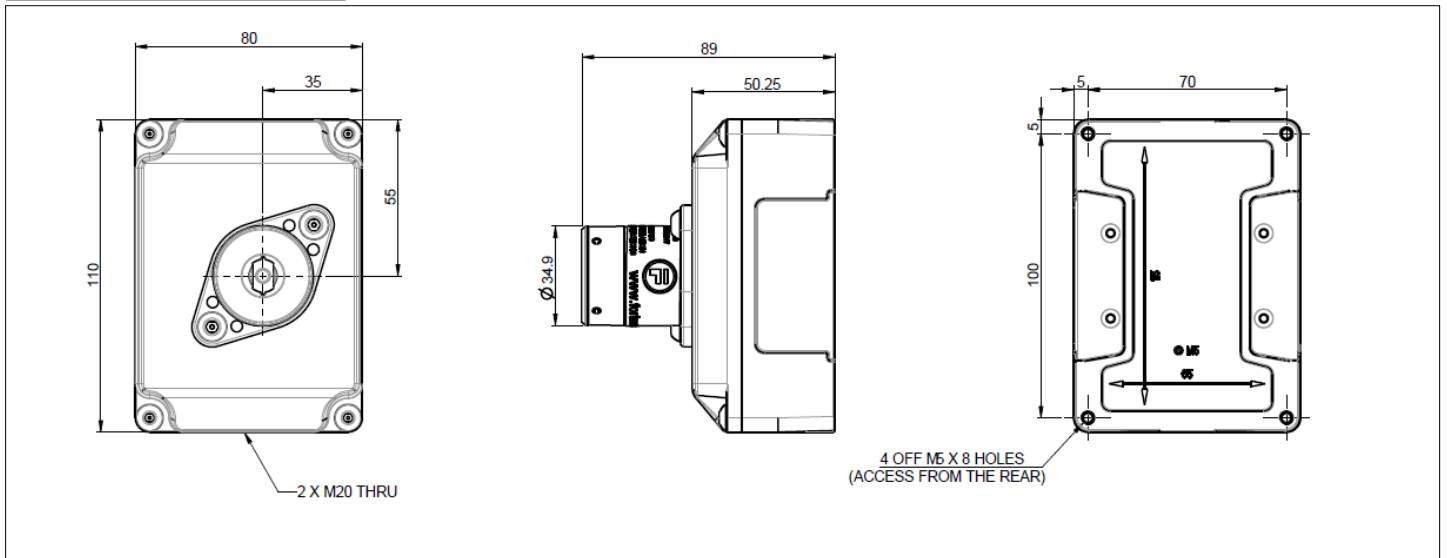
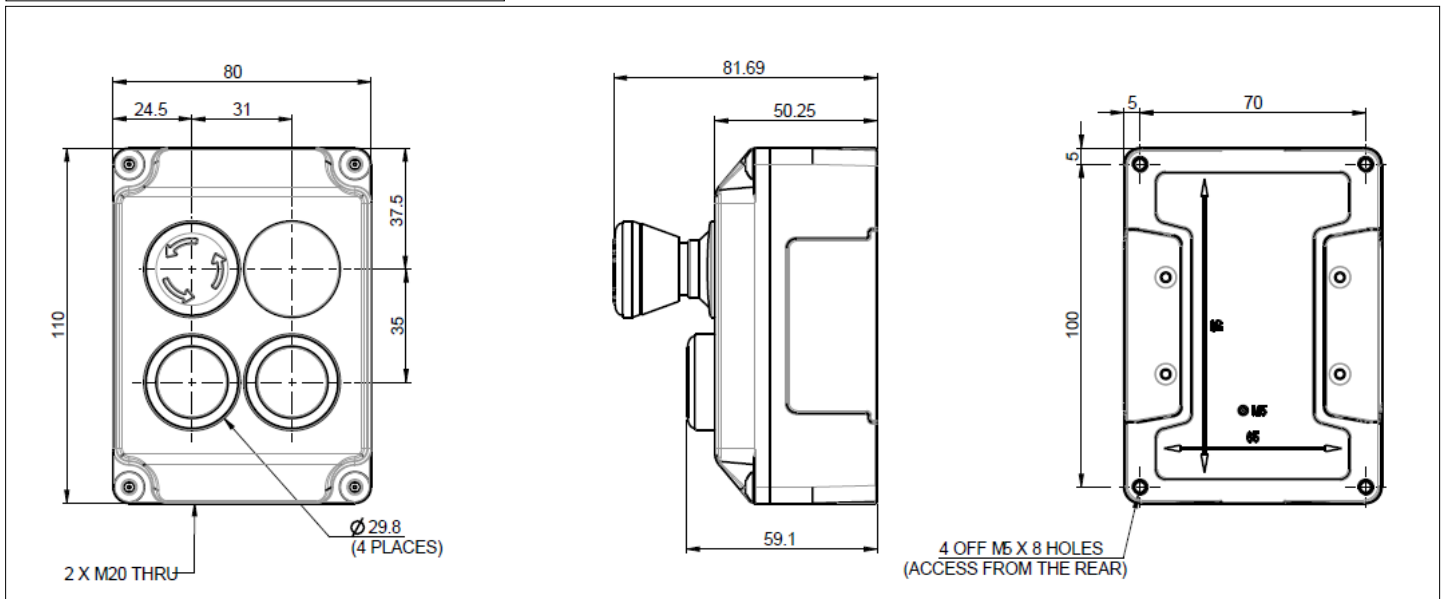
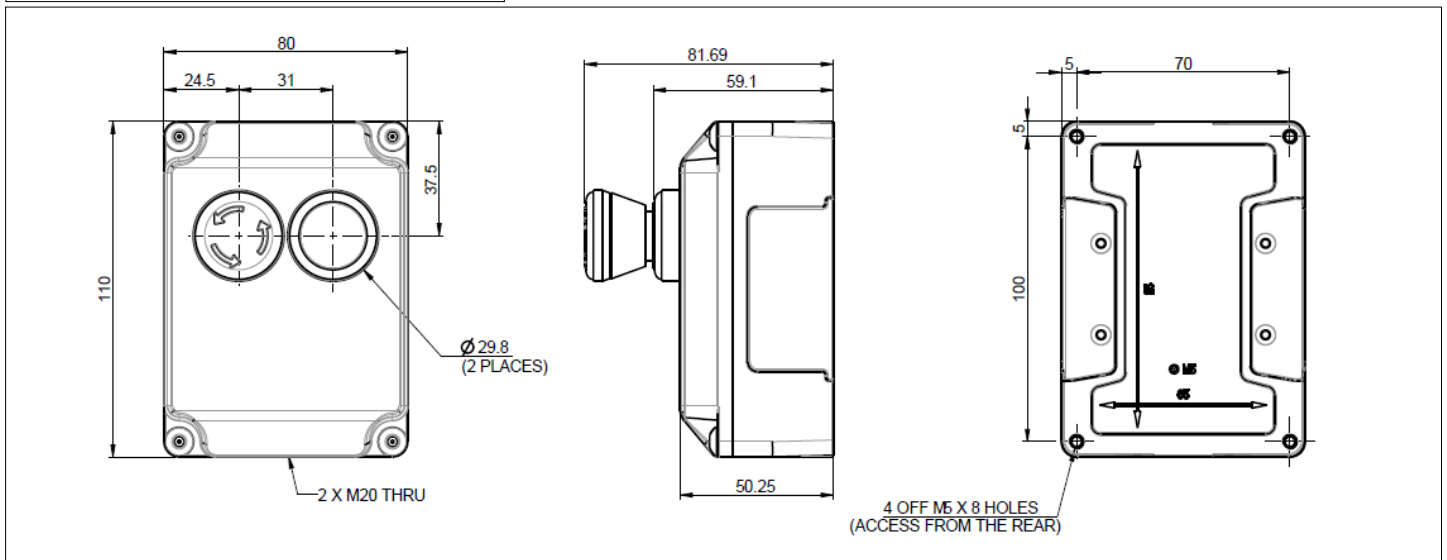
E-STOP



- +
- 
- RETURN FROM ESTOP MONITOR OR 4TH BUTTON
- SUPPLY TO ESTOP LED OR FOR 4TH BUTTON LED
- RETURN FROM 1ST BUTTON
- SUPPLY TO 1ST BUTTON LED
- RETURN FROM 2ND BUTTON
- SUPPLY TO 2ND BUTTON LED
- RETURN FROM 3RD BUTTON
- SUPPLY TO 3RD BUTTON LED

proOption Pod - Keyswitch Wiring Diagram



**Option Pods**
**proOption Pods - Lamps, Pushbuttons and Keyswitch**
**Keyswitch Dimensional Drawing**

**4 Pushbutton / Lamp Dimensional Drawing**

**2 Pushbutton / Lamp Dimensional Drawing**




Option Pods

proOption Pods - Lamps, Pushbuttons and Keyswitch

Sensor Dimensional Drawing

