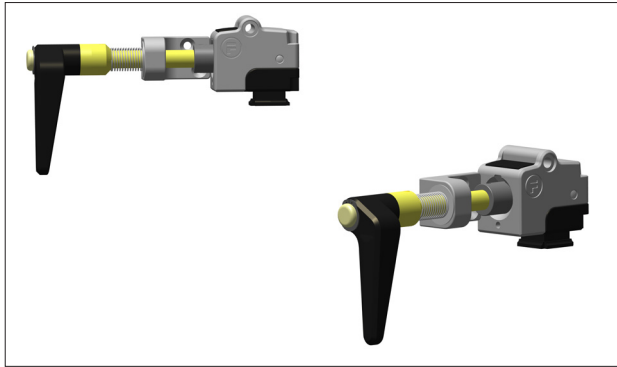


Head Modules

proAM Head & Handle Actuator



proAM Head & Handle Actuator

- Heavy duty handle unit.
- Operating handle can be rotated in 45° increments.
- 4 position fixing at 90° increments allowing on site handing change.
- Allows for guard misalignment.
- Turning motion holds door closed preventing nuisance trips.
- Extremely high retention force when used in locking applications - 10,000N.
- Can be fitted with lock-out devices for additional safety.

Images above show a MA2M6 (left handed)

proAM Head & Handle Technical Specification	
Housing Materials	Zinc Alloy to BSEN12844 Stainless Steel to BS3146
Paint Finish	Gloss powder coat on passivated zinc alloy
Colour	Black and Stainless Steel
Operating Force	0.5Nm
Retention Force (locked)	10,000N
Mechanical Life	>1,000,000 Switching Cycles
Performance Level	PLe
B10d	5,000,000
Ambient Temperature	-5°C to 80°C (23°F to 176°F)
Environment	Indoor & Outdoor

proAM Head Options & Ordering Information		
Part Number	Item No.	Description
M6	ITM-00038832	proAM Head
M7	ITM-00038835	proAM Head c/w Drop Down Lockout
M8	ITM-00038837	proAM Head c/w AML Lock-Out Clip

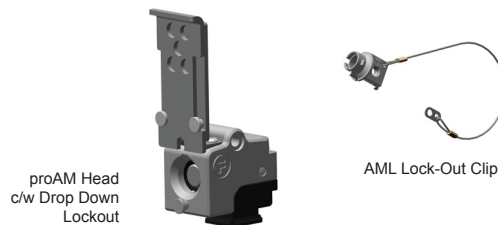
* The Item No. or Part No. can be quoted for quotation and ordering purposes

Safety Functions - proAM Head		Part No		
Safety Function 1	Retain actuator	M6	M7	M8
Safety Function 2	Transfer motion of actuator removal into breaking of safety contacts			
Safety Function 3	Prevents insertion of actuator when "locked out"			

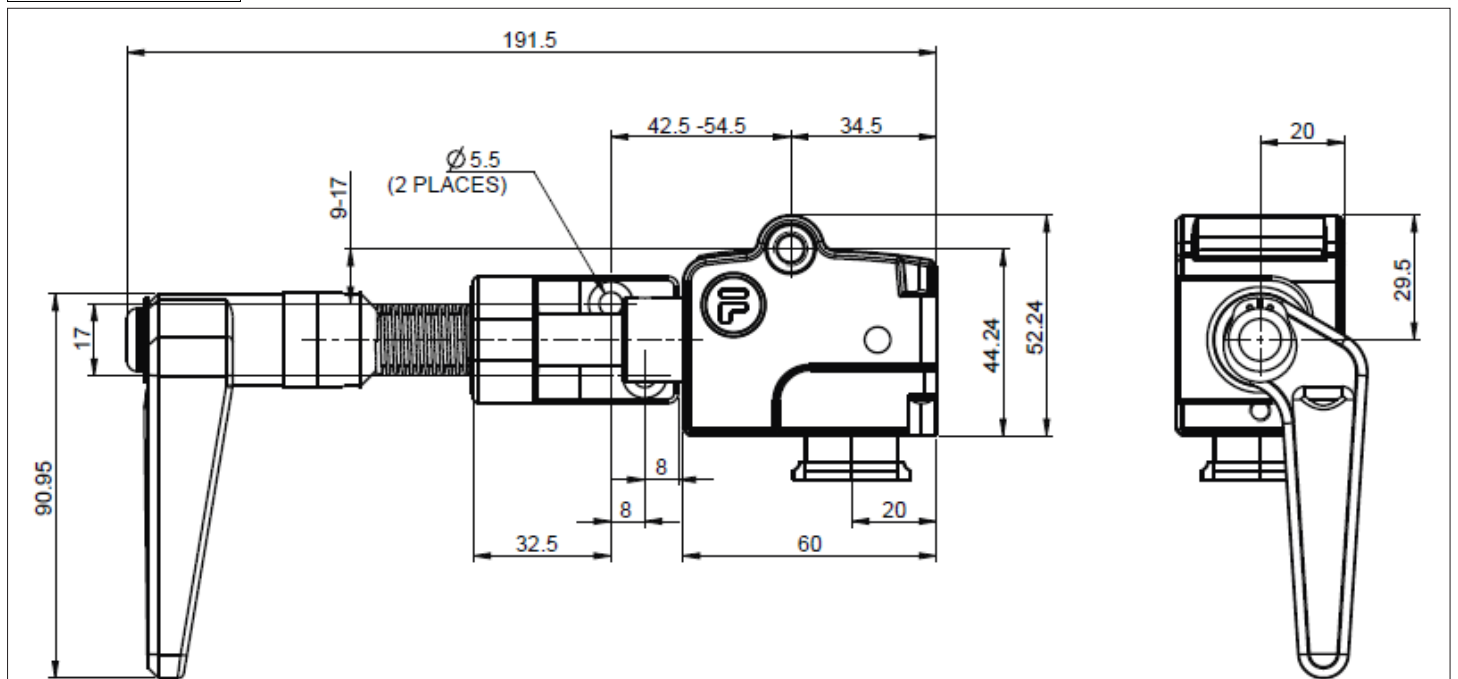
proAM Handle Options & Ordering Information		
Part No.	Item No.	Item No.
MA1	AM Handle Front Handing	ITM-00038861
MA2	AM Handle Left Handing	ITM-00038814
MA3	AM Handle Back Handing	ITM-00038862
MA4	AM Handle Right Handing	ITM-00038859
MI2	AM Internal Release Handle - Left Handing	ITM-00038815
MI4	Am Internal Release Handle - Right Handing	ITM-00039565

* The Item No. or Part No. can be quoted for quotation and ordering purposes

Safety Functions - proAM Handle		Part No	
Safety Function 1	Provides link from interlock to door	MA	MI
Safety Function 2	Internal handle allows escape		



Dimensional Drawing



Adaptors

proLock Adaptor - Lock Adaptor for Safety or Access



proLock Adaptor module is used to add to an amGardpro unit, to include the provision of key control functionality. They can be used to provide the function of an access lock, or alternatively provide a safety key function. The releasing versions of the lock adaptors are the type that **MUST** be used in conjunction with any type of internal release function (push IR) or all in one head module with IR Handle.

proLock - Adaptor for Safety

This unit ensures that the door cannot be opened until the key has been turned, and the machine/process cannot be restarted without returning the key(s). It can furthermore prevent personnel being accidentally locked inside a guarded area.

- Provides a unique link to the mGard range.
- Up to 10 key adaptors in one configuration.
- Key sequence - releases all keys at once (runner bar)

proLock - Adaptor for Access

Ideally suited for authorised access only, or linked access to other machinery. Ensures a specific sequence of operation and can be stacked or combined with other adaptors.

- Provides a unique link to the mGard range.
- Up to 10 key adaptors in one configuration.

proLock Adaptor Technical Specification

Housing Materials		Die-cast Zinc Alloy
Paint Finishes	Body	Black
	Lid	Red
	Lock	Satin Chrome Plated
	Lock Front	Stainless Steel
Internals		All Stainless Steel
Mechanical Life		>1,000,000
Performance Level		PLe
B10d		5,000,000
Ambient Temperature		-5°C to 80°C (23°F to 176°F)
Environment		Indoor & Outdoor
Lock Mechanism	CL / ML	Die-cast Zinc Body with Stainless Steel Operating mechanism.

proLock - Access Adaptor Ordering Information

Version	Lock Type	Lock Description	Key	Part No.	Item No.
Standard	CLIN	Standard CL Lock no dustcover	x	AKL1	ITM-00038898
Standard	CLIS	Standard CL Lock with stainless steel dustcover	x	AKL2	ITM-00038959
Standard	CLIL	Standard CL Lock with stainless steel padlockable dustcover	x	AKL3	ITM-00038960
Standard	MLIN	Masterable ML Lock no dustcover	x	AKL6	ITM-00038961
Standard	MLIS	Masterable ML Lock with stainless steel dustcover	x	AKL7	ITM-00038962
Standard	MLIL	Masterable ML Lock with stainless steel padlockable dustcover	x	AKL8	ITM-00038963
Releasing	CLIN	Standard CL Lock no dustcover	x	AKR1	ITM-00038964
Releasing	CLIS	Standard CL Lock with stainless steel dustcover	x	AKR2	ITM-00038965
Releasing	CLIL	Standard CL Lock with stainless steel padlockable dustcover	x	AKR3	ITM-00038966
Releasing	MLIN	Masterable ML Lock no dustcover	x	AKR6	ITM-00038967
Releasing	MLIS	Masterable ML Lock with stainless steel dustcover	x	AKR7	ITM-00038969
Releasing	MLIL	Masterable ML Lock with stainless steel padlockable dustcover	x	AKR8	ITM-00038970

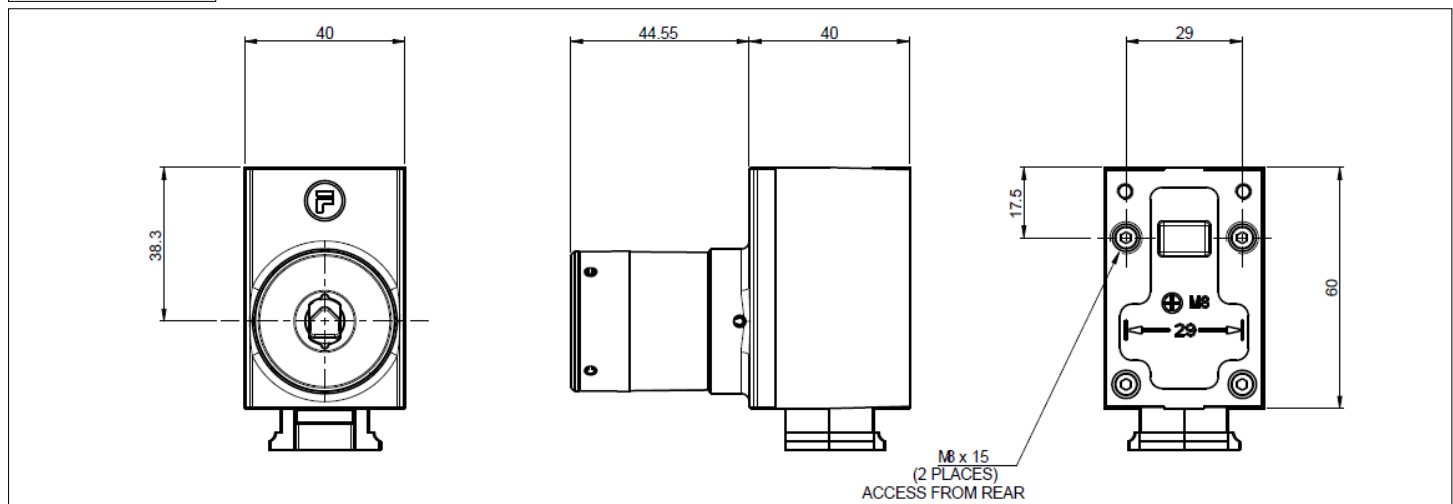
*Releasing versions are they type that MUST be used if used in conjunction with any type of internal release function (push IR) or all in one head module with IR Handle.

*The Item No. or Part No. can be quoted for quotation and ordering purposes.

Safety Functions - proLock - Safety		Part No
Safety Function 1	Door cannot be opened unless safety key inserted in lock	SKL/R

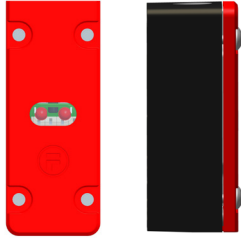
Safety Functions - proLock - Access		Part No
Safety Function 1	Door cannot be opened unless access key inserted in lock	AKL/R
Safety Function 2	Breaks safety contacts when access key inserted in lock	

Dimensional Drawing



Electrical Switching / Locking

proStop - Non Solenoid Switch Body - Standard



Depressing the plunger breaks the dual safety circuits to shut down the motive power to the machine

proStop - Standard

Depressing the plunger breaks the dual safety circuits to shut down the motive power to the machine and makes the monitoring circuit.

- Ideal for quick access to machines with no or short run-down cycles
- LED indicators for status identification
- To be used with safety relay and/or safety PLC control systems
- European, Canadian and North American Approvals

proStop - Standard Ordering Information

Version	Control Voltage	Part No.	Item No.
Standard	24V AC/DC	ST401	ITM-00039387
Standard	110V AC	ST101	ITM-00039383
Standard	230V AC	ST201	ITM-00039386

* Sourcing output supplied as standard, Sinking option available on request.
* The Item No. or Part No. can be quoted for quotation and ordering purposes

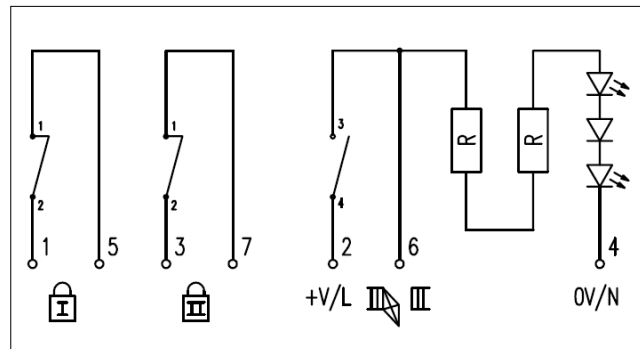
Approvals



proStop Technical Specification

Housing Materials	Zinc Alloy to BSEN12844
Paint Finishes	Gloss Powder Coat on Passivated Base Material
Ingress Protection	IP67
Mechanical Life	>1,000,000 Switching Cycles
Performance Level	PLe
B10d	5,000,000
Ambient Temperature	-5°C to + 60°C (23°F to 140°F)
Maximum Frequency of Ops	7,200 per hour
Connector Type	Spring Activated Vibration Proof Block
Switches Conformance	DIN VDE 0060 Part 206 & IEC 947-5-1
Switching Contact Element	2NC and 1NO
Safety Circuit Switching Principal	Positive Break (2NC) Dual Channel
Maximum Switch Current	3A
Minimum Switch Current	1mA at 5VDC
Maximum Switching Voltage	230V AC Max
Utilisation Category	AC 15 or DC 13
Control Voltages	24V ac/dc, 110V ac, 230V ac
Insulating Voltage	2500V AC
Insulating Resistance	20M Ohm
Cable Size	28 - 24 AWG
B10d	5,000,000
DC	99%
λ_s	10%
Diagnostic Coverage	Position Monitoring
Environment	Indoor & Outdoor

Wiring Diagram - proStop



Safety Functions - proStop

Safety Function 1	Part No
Turns mechanical movement of head / lock into operation of safety contacts	ST

NOTICE!
If, as a result of risk assessment, it cannot be discounted that persons can be enclosed within a danger zone, then guard locks with additional removable keys (safety keys) must be used or comparable measures must be taken - GS ET 19.



MA2M6SKL11ST401 (Code A) / MA2M6SKL11ST401 (Code B)
MA2M6SKL11ST101 (Code A) / MA2M6SKL11ST101 (Code B)

Datasheet

Electrical Switching / Locking

proStop - Non Solenoid Switch Body - Standard

Dimensional Drawing

