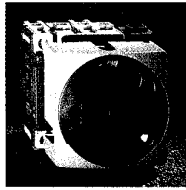
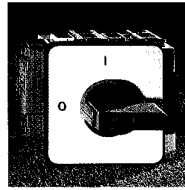


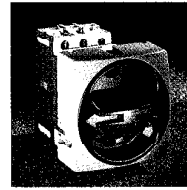
yellow/red presentation



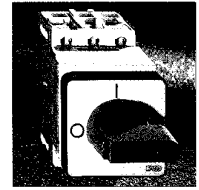
Front mount
padlockable
0172031



Front mount
with Quadral
presentation 0172522



Front mount
Ø 22 mm single hole
padlockable 0172003



Front mount Ø 22 mm
single hole Quadral
presentation 0172104

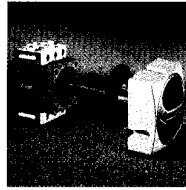
| | | | | | |
|--------------------------------|--------------------------|---------|---------|---------|---------|
| 20A PR 12 (a) | 3 Pole | 0172901 | 0172902 | 0172903 | 0172904 |
| | 3 Pole + NC/NO | 0172911 | 0172912 | 0172913 | 0172914 |
| | 4 Pole | 0172921 | 0172922 | 0172923 | 0172924 |
| | 4 Pole + NC/NO | 0172931 | 0172932 | 0172933 | 0172934 |
| | 6 Pole | — | — | — | — |
| 25A | 3 Pole | 0172001 | 0172002 | 0172003 | 0172004 |
| | 3 Pole + NC/NO | 0172011 | 0172012 | 0172013 | 0172014 |
| | 4 Pole neutral L | 0172021 | 0172022 | 0172023 | 0172024 |
| | 4 Pole neutral L + NC/NO | 0172031 | 0172032 | 0172033 | 0172034 |
| | 4 Pole neutral R | 0172041 | 0172042 | 0172043 | 0172044 |
| | 4 Pole neutral R + NC/NO | 0172051 | 0172052 | 0172053 | 0172054 |
| | 6 Pole | — | — | — | — |
| | 6 Pole + NC/NO | — | — | — | — |
| 32A | 3 Pole | 0172101 | 0172102 | 0172103 | 0172104 |
| | 3 Pole + NC/NO | 0172111 | 0172112 | 0172113 | 0172114 |
| | 4 Pole neutral L | 0172121 | 0172122 | 0172123 | 0172124 |
| | 4 Pole neutral L + NC/NO | 0172131 | 0172132 | 0172133 | 0172134 |
| | 4 Pole neutral R | 0172141 | 0172142 | 0172143 | 0172144 |
| | 4 Pole neutral R + NC/NO | 0172151 | 0172152 | 0172153 | 0172154 |
| | 6 Pole | — | — | — | — |
| | 6 Pole + NC/NO | — | — | — | — |
| 50A | 3 Pole | 0172201 | 0172202 | | |
| | 3 Pole + NC/NO | 0172211 | 0172212 | | |
| | 4 Pole neutral L | 0172221 | 0172222 | | |
| | 4 Pole neutral L + NC/NO | 0172231 | 0172232 | | |
| | 4 Pole neutral R | 0172241 | 0172242 | | |
| | 4 Pole neutral R + NC/NO | 0172251 | 0172252 | | |
| | 6 Pole | — | — | | |
| 6 Pole + NC/NO | — | — | | | |
| 63A | 3 Pole | 0172301 | 0172302 | | |
| | 3 Pole + NC/NO | 0172311 | 0172312 | | |
| | 4 Pole neutral L | 0172321 | 0172322 | | |
| | 4 Pole neutral L + NC/NO | 0172331 | 0172332 | | |
| | 4 Pole neutral R | 0172341 | 0172342 | | |
| | 4 Pole neutral R + NC/NO | 0172351 | 0172352 | | |
| | 6 Pole | — | — | | |
| 6 Pole + NC/NO | — | — | | | |
| 80A | 3 Pole | 0172401 | 0172402 | | |
| | 3 Pole + NC/NO | 0172411 | 0172412 | | |
| | 4 Pole neutral L | 0172421 | 0172422 | | |
| | 4 Pole neutral L + NC/NO | 0172431 | 0172432 | | |
| | 4 Pole neutral R | 0172441 | 0172442 | | |
| | 4 Pole neutral R + NC/NO | 0172451 | 0172452 | | |
| | 6 Pole | — | — | | |
| 6 Pole + NC/NO | — | — | | | |
| 100A | 3 Pole | 0172501 | 0172502 | | |
| | 3 Pole + NC/NO | 0172511 | 0172512 | | |
| | 4 Pole neutral L | 0172521 | 0172522 | | |
| | 4 Pole neutral L + NC/NO | 0172531 | 0172532 | | |
| | 4 Pole neutral R | 0172541 | 0172542 | | |
| | 4 Pole neutral R + NC/NO | 0172551 | 0172552 | | |
| | 6 Pole | — | — | | |
| 6 Pole + NC/NO | — | — | | | |

Notes: - neutral on the Left or on the Right is as seen from the operator's view
 - protection rating standard version IP 40 - IP 65 on request
 (a) non-reversible terminals

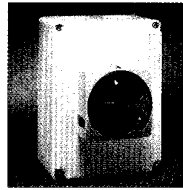
STANDARD VERSIONS

REVERSO

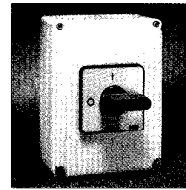
yellow/red presentation



Rear mount with clutch drive padlockable 0165009 (b)(c)



enclosure padlockable 0172061 (d)



enclosure Quadral presentation 0172162

| | | | | |
|-----------------|--------------------------|---------|---------|---------|
| 20A | 3 Pole | 0165909 | 0172961 | 0172962 |
| PR 12(a) | 3 Pole + NC/NO | 0165919 | 0172971 | 0172972 |
| | 4 Pole | 0165929 | 0172981 | 0172982 |
| | 4 Pole + NC/NO | 0165939 | 0172991 | 0172992 |
| | 6 Pole | — | 0172909 | 0172919 |
| 25A | 3 Pole | 0165009 | 0172061 | 0172062 |
| | 3 Pole + NC/NO | 0165019 | 0172071 | 0172072 |
| | 4 Pole neutral L | 0165029 | 0172081 | 0172082 |
| | 4 Pole neutral L + NC/NO | 0165039 | 0172091 | 0172092 |
| | 4 Pole neutral R | 0165049 | — | — |
| | 4 Pole neutral R + NC/NO | 0165059 | — | — |
| | 6 Pole | — | 0172009 | 0172019 |
| | 6 Pole + NC/NO | — | 0172029 | 0172039 |
| 32A | 3 Pole | 0165109 | 0172161 | 0172162 |
| | 3 Pole + NC/NO | 0165119 | 0172171 | 0172172 |
| | 4 Pole neutral L | 0165129 | 0172181 | 0172182 |
| | 4 Pole neutral L + NC/NO | 0165139 | 0172191 | 0172192 |
| | 4 Pole neutral R | 0165149 | — | — |
| | 4 Pole neutral R + NC/NO | 0165159 | — | — |
| | 6 Pole | — | 0172109 | 0172119 |
| | 6 Pole + NC/NO | — | 0172129 | 0172139 |
| 50A | 3 Pole | 0165209 | 0172261 | 0172262 |
| | 3 Pole + NC/NO | 0165219 | 0172271 | 0172272 |
| | 4 Pole neutral L | 0165229 | 0172281 | 0172282 |
| | 4 Pole neutral L + NC/NO | 0165239 | 0172291 | 0172292 |
| | 4 Pole neutral R | 0165249 | — | — |
| | 4 Pole neutral R + NC/NO | 0165259 | — | — |
| | 6 Pole | — | 0172209 | 0172219 |
| | 6 Pole + NC/NO | — | 0172229 | 0172239 |
| 63A | 3 Pole | 0165309 | 0172361 | 0172362 |
| | 3 Pole + NC/NO | 0165319 | 0172371 | 0172372 |
| | 4 Pole neutral L | 0165329 | 0172381 | 0172382 |
| | 4 Pole neutral L + NC/NO | 0165339 | 0172391 | 0172392 |
| | 4 Pole neutral R | 0165349 | — | — |
| | 4 Pole neutral R + NC/NO | 0165359 | — | — |
| | 6 Pole | — | 0172309 | 0172319 |
| | 6 Pole + NC/NO | — | 0172329 | 0172339 |
| 80A | 3 Pole | 0165409 | 0172461 | 0172462 |
| | 3 Pole + NC/NO | 0165419 | 0172471 | 0172472 |
| | 4 Pole neutral L | 0165429 | 0172481 | 0172482 |
| | 4 Pole neutral L + NC/NO | 0165439 | 0172491 | 0172492 |
| | 4 Pole neutral R | 0165449 | — | — |
| | 4 Pole neutral R + NC/NO | 0165459 | — | — |
| | 6 Pole | — | 0172409 | 0172419 |
| | 6 Pole + NC/NO | — | 0172429 | 0172439 |
| 100A | 3 Pole | 0165509 | 0172561 | 0172562 |
| | 3 Pole + NC/NO | 0165519 | 0172571 | 0172572 |
| | 4 Pole neutral L | 0165529 | 0172581 | 0172582 |
| | 4 Pole neutral L + NC/NO | 0165539 | 0172591 | 0172592 |
| | 4 Pole neutral R | 0165549 | — | — |
| | 4 Pole neutral R + NC/NO | 0165559 | — | — |
| | 6 Pole | — | 0172509 | 0172519 |
| | 6 Pole + NC/NO | — | 0172529 | 0172539 |

Notes: - neutral on the Left or on the Right is as seen from the operator's view
 - protection rating standard version IP 40 - IP 65 on request
 - rear mounting with clutch drive:
 from 20 to 63 A short axis
 80 and 100 A long axis
 (a) non-reversible terminals

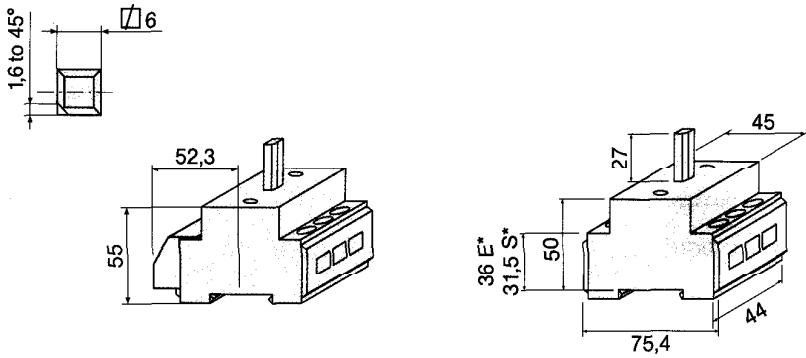
(b) Quadral presentation: replace 9 by 8 at the end of the reference
 ex.: 0165009 becomes 0165008
 (c) padlockable presentation with clutch drive and door interlocking:
 replace 9 by 7 at the end of the reference
 ex.: 0165009 becomes 0165007
 (d) enclosure 20 A - PR 12 presentation

| | | 20 A | 25 A | 32 A | 50 A | 63 A | 80 A | 100 A |
|--|----------------------------|---|--------------|----------------------|--------------|--------------------|--------------|--------------|
| Rated operating voltage U_i | V | 400 | 690 | 690 | 690 | 690 | 690 | 690 |
| Rated thermal current - open - I_u/I_{th} | A | 20 | 25 | 32 | 50 | 63 | 80 | 100 |
| Rated thermal current - enclosed - I_{th} | A | 16 | 20 | 25 | 40 | 50 | 63 | 80 |
| Rated impulse withstand voltage U_{imp}⁽¹⁾ kV | | 4 | 6 | 6 | 6 | 6 | 6 | 6 |
| Rated operating current I_e I _e AC - 21A/22A 230 to 690 V | A | 16 | 25 | 32 | 50 | 63 | 80 | 100 |
| Rated operating power | | | | | | | | |
| AC - 23A | 3 x 230 V | kW | 4 | 5,5 | 5,5 | 15 | 15 | 18,5 |
| | 3 x 400 V | | 7,5 | 7,5 | 11 | 18,5 | 22 | 30 |
| | 3 x 500 V | | — | 7,5 | 11 | 22 | 30 | 37 |
| | 3 x 690 V | | — | 7,5 | 11 | 18,5 | 22 | 30 |
| AC - 3 | 3 x 230 V | kW | 3 | 4 | 4 | 7,5 | 11 | 15 |
| | 3 x 400 V | | 4 | 5,5 | 7,5 | 15 | 18,5 | 22 |
| | 3 x 500 V | | — | 5,5 | 7,5 | 15 | 22 | 30 |
| | 3 x 690 V | | — | 5,5 | 7,5 | 15 | 18,5 | 22 |
| Make - break characteristics | | | | | | | | |
| Rated make capacity | A _{eff} /400 V | — | 710 | 710 | 1270 | 1270 | 1970 | 1970 |
| Rated break capacity | A _{eff} /400 V | — | 330 | 330 | 800 | 800 | 800 | 800 |
| Short circuit characteristics | | | | | | | | |
| Rated short time withstand current - I _{cw} | A _{eff} /400 V/1s | 300 | 350 | 430 | 500 | 760 | 1100 | 1500 |
| Rated short circuit make capacity - I _{cm} | kA peak/400 V | — | 1 | 1 | 1,8 | 1,8 | 2,8 | 2,8 |
| Short circuit current | kA eff/400 V | 6 | 10 | 10 | 10 | 10 | 10 | 10 |
| with fuse gI/gG | A | 16 | 25 | 32 | 50 | 63 | 80 | 100 |
| Mechanical life AC - 20 | million | 1 | 0,1 | 0,1 | 0,04 | 0,04 | 0,04 | 0,04 |
| Connections | | | | | | | | |
| Stranded wire plus connector (max/min) | mm ² | 2,5/0,75 | 6/0,75 | 6/0,75 | 16/1,5 | 16/1,5 | 35/2,5 | 35/2,5 |
| Solid wire | mm ² | 4 | 10 | 10 | 25 | 25 | 50 | 50 |
| Storage temperature | Deg C | - 30 to + 70 | - 30 to + 70 | - 30 to + 70 | - 30 to + 70 | - 30 to + 70 | - 30 to + 70 | - 30 to + 70 |
| Operating temperature | Deg C | - 30 to + 70 | - 30 to + 70 | - 30 to + 70 | - 30 to + 70 | - 30 to + 70 | - 30 to + 70 | - 30 to + 70 |
| Protection rating | | inside panel: IP xx B | | outside panel: IP 40 | | IP 65 upon request | | |
| Conformity to standards | | IEC 947-3 - EN 60 947-3 | | | | | | |
| Approvals | | UL - cUL (USA - Canada) | | | | | | |
| Climatic resistance | | Tropical atmosphere according to: IEC 68/2.3 constant humid heat IEC 68/2.30 cyclical humid heat | | | | | | |
| Auxiliary contact electrical characteristics | | | | | | | | |
| Rated operating voltage - U _i | V | 400 | 400 | 400 | 400 | 400 | 400 | 400 |
| Rated thermal current - open - I _u /I _{th} | A | 20 | 10 | 10 | 10 | 10 | 10 | 10 |
| Rated operating current - I _e | AC - 15 | 230 V A | 6 | 6 | 6 | 6 | 6 | 6 |
| | | 400 V A | — | 4 | 4 | 4 | 4 | 4 |
| Protection against short circuit by fuse gG | A | 16 | 10 | 10 | 10 | 10 | 10 | 10 |
| Connection | Stranded wire | mm ² max. | 2 x 2,5 | 2 x 2,5 | 2 x 2,5 | 2 x 2,5 | 2 x 2,5 | 2 x 2,5 |

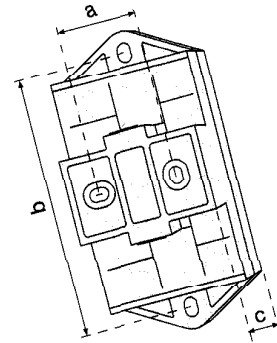
DC electrical characteristics available upon request

(1) Overload category III, pollution degree 3

| Enclosures | | | | | | |
|-------------------------------------|---|---|--|---|--|---|
| Dimensions (mm) | 150x110x75 | 220x150x100 | 220x150x100 | 220x150x100 | 220x150x100 | 300x220x100 |
| REVERSO rating | 25 and 32 A 3 poles to 4 poles + NC/NO | 25 and 32 A 6 poles and 6 poles + NC/NO | 50 and 63 A 3 poles to 4 poles + NC/NO | 50 and 63 A 6 poles and 6 poles + NC/NO | 80 and 100 A 3 poles and 3 poles + NC/NO | 80 and 100 A 4 poles to 6 poles + NC/NO |
| Cable entries | 2 x 2 Pg 16 | 2 x 2 Pg 21 | 2 x 2 Pg 21 | 2 x 2 Pg 29 | 2 x 2 Pg 29 | 2 x 2 Pg 21 and 2 x 2 Pg 29 |
| Ø push-through openings (mm) | 22,5 | 28,5 | 28,5 | 37,5 | 37,5 | 37,5/28,5 |
| Number/face (top and bottom) | 2 | 2 | 2 | 2 | 2 | 4 |
| Panel mounting | by 4 screws (see page 23) | | | | | |
| Lid/base assembly | by 4 self-tapping free - release screws in inox | | | | | by 6 self - tapping free-release screws in inox |
| Switch/base assembly | on 35 mm DIN rail (this rail is suitably notched to ensure the positioning of the switch) | | | | | |
| Presentation mounting | pre-pierced lid | | | | | |
| Insulation | classe II installed (provided correct usage of the insulation plugs which must be pushed down over the base-to-panel mounting screws, supplied with each enclosure) | | | | | |
| Impact resistance | IK 07 | | | | | |
| Fire resistance | 960 °C by incandescent wire (IEC 925-2-1) | | | | | |
| Protection rating | IP 40 in standard version (IP 65 on request) | | | | | |

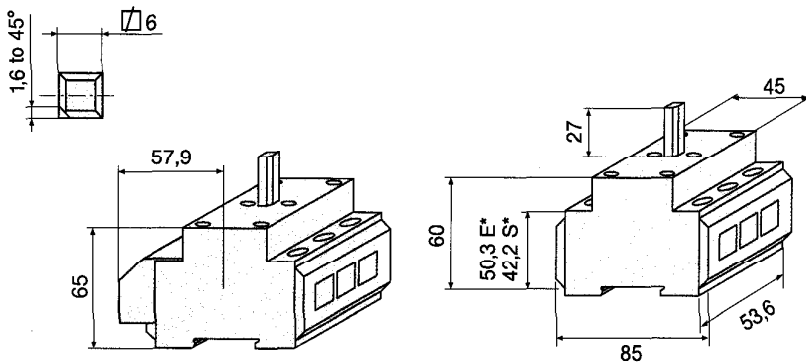


block 25 and 32A with or without terminal covers

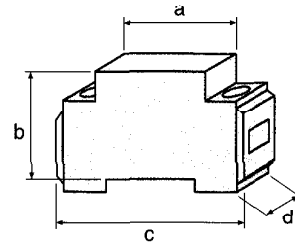


rear mounting plate

| | a | b | c |
|------------|----|-----|-----|
| 25 - 32 A | 25 | 85 | 7,5 |
| 50 - 63 A | 35 | 90 | 9 |
| 80 - 100 A | 50 | 100 | 9 |

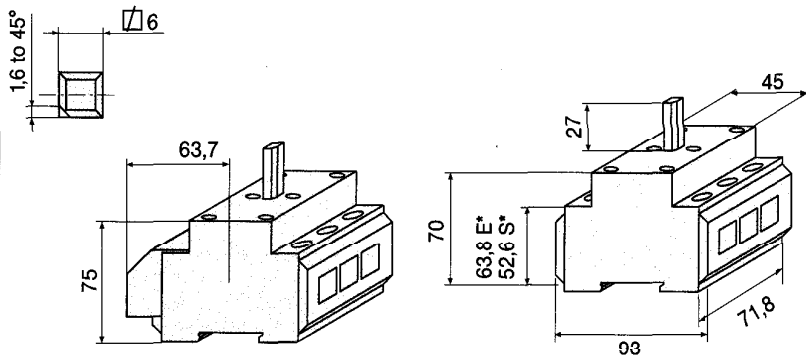


block 50 and 63A with or without terminal covers

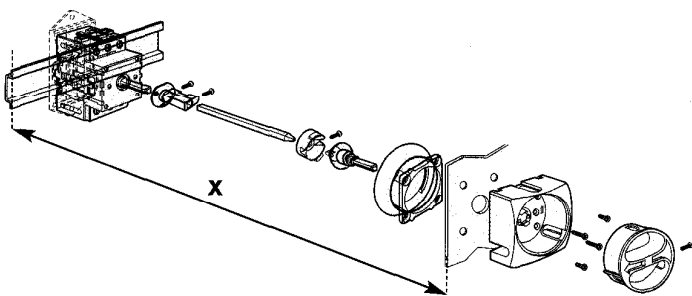


additional pole/
neutral pole/junction block

| | a | b | c | d |
|------------|----|------|------|------|
| 25 - 32 A | 45 | 43,5 | 75,4 | 14,5 |
| 50 - 63 A | 45 | 60 | 85 | 17,9 |
| 80 - 100 A | 45 | 70 | 93 | 26,8 |



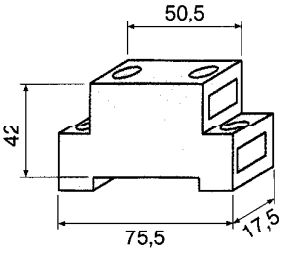
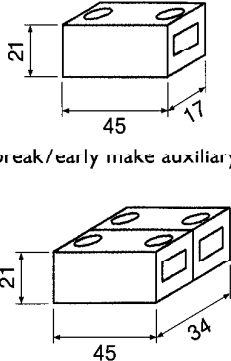
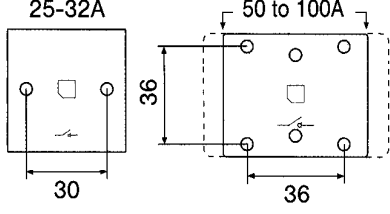
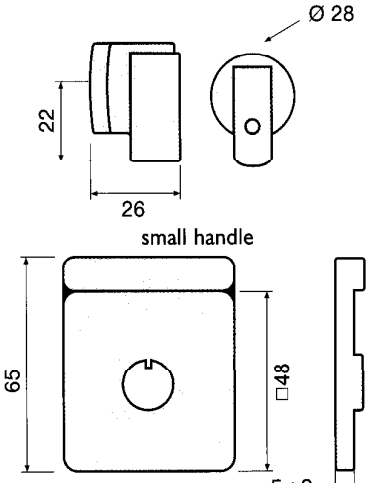
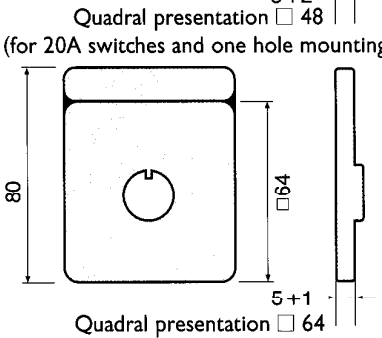
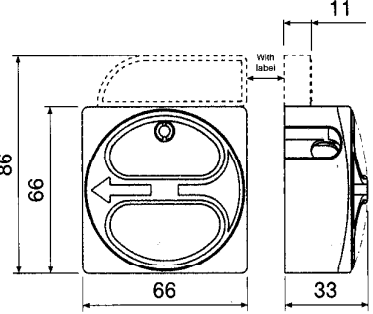
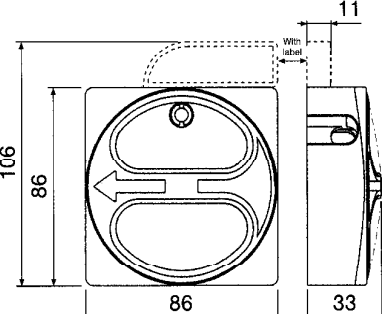
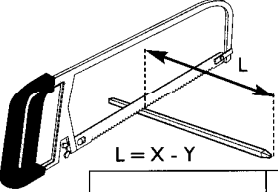
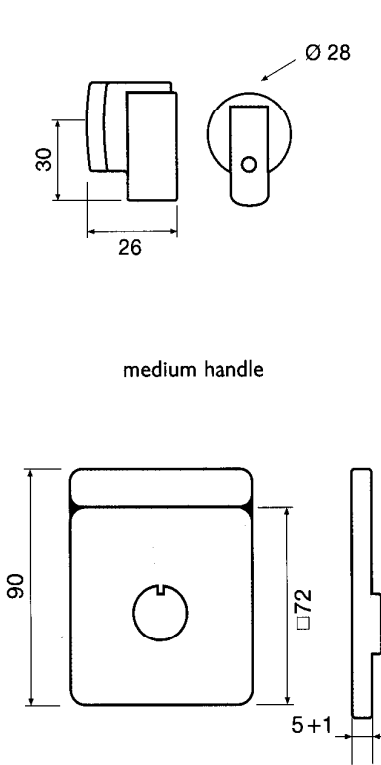
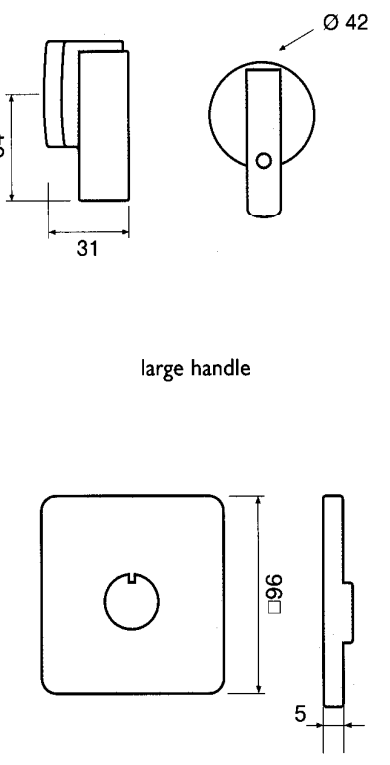
block 80 and 100A with or without terminal covers

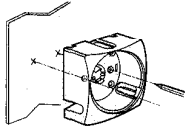
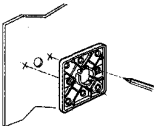
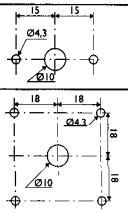
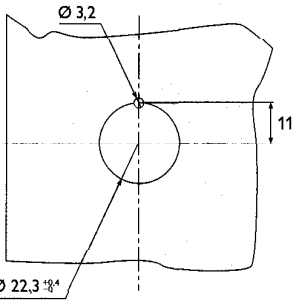
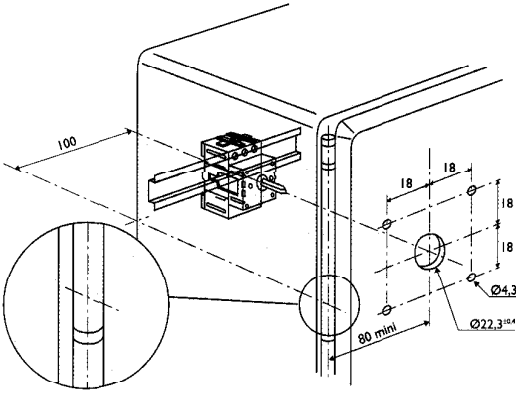
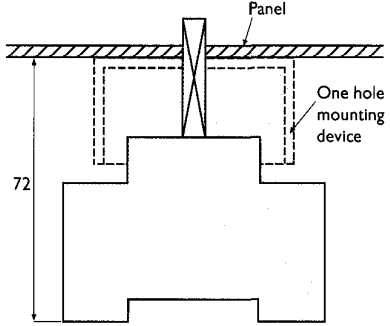
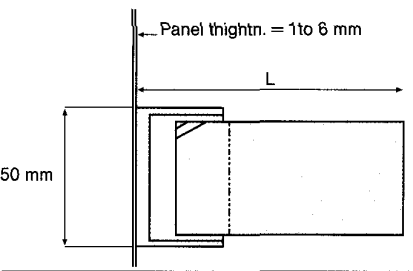
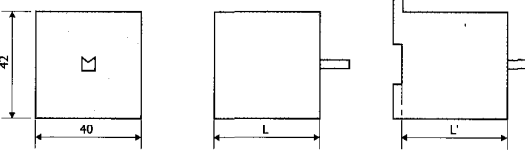
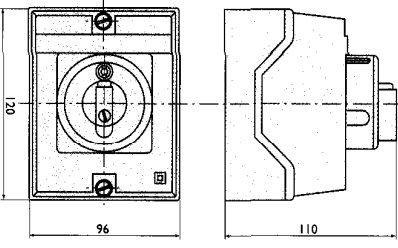
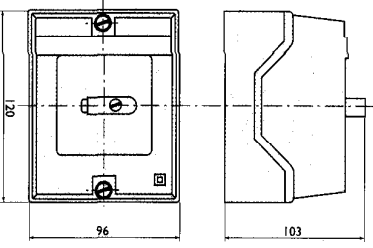


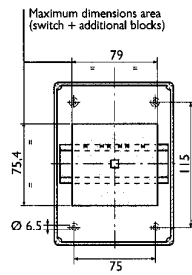
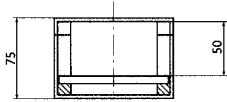
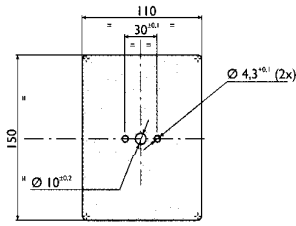
| X (mm) | long axis | short axis | without axis |
|--------------|------------|------------|--------------|
| 20A-3 and 4p | 116 to 240 | 240 to 390 | 77 to 91 |
| 20A-3p+NC/NO | | | |
| 20A-4p+NC/NO | 126 to 250 | 250 to 400 | 87 to 101 |
| 25 - 32A | 125 to 250 | 250 to 400 | 86 to 100 |
| 50 - 63A | 135 to 260 | 260 to 410 | 96 to 110 |
| 80 - 100A | 145 to 270 | 270 to 420 | 106 to 120 |

Clutch drive presentation from 20 to 100A

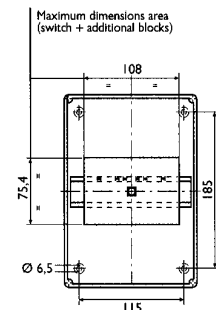
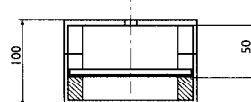
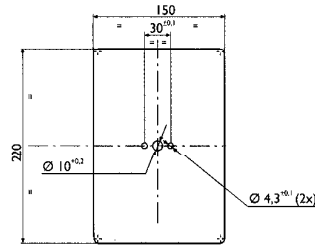
E - rear mounting S - front mounting

|  <p>auxiliary NC/NO contact</p> |  <p>early break/early make auxiliary contact</p> <p>2 early make auxiliary contacts</p> | <p>spacing for panel mounting</p>  <p>Wall thickness for 1 to 6 mm</p> | | | | | | | | | | | | |
|--|--|---|---------------|----|--------------|----|----------------|----|----------------|-----|-----------------|-----|---|---|
|  <p>small handle</p> <p>Quadral presentation □ 48 (for 20A switches and one hole mounting)</p>  <p>Quadral presentation □ 64 for 25 and 32 A</p> |  <p>padlockable presentation □ 66 from 50 to 63 A</p> |  <p>padlockable presentation □ 86 for 80 and 100 A</p> | | | | | | | | | | | | |
|  <table border="1" data-bbox="303 1803 566 1960"> <thead> <tr> <th></th> <th>Y(mm)</th> </tr> </thead> <tbody> <tr> <td>REVERSO 20A**</td> <td>84</td> </tr> <tr> <td>REVERSO 20A*</td> <td>94</td> </tr> <tr> <td>REVERSO 25-32A</td> <td>92</td> </tr> <tr> <td>REVERSO 50-63A</td> <td>102</td> </tr> <tr> <td>REVERSO 80-100A</td> <td>112</td> </tr> </tbody> </table> <p>* 3p + NC/NO, 4p + NC/NO ** 3p, 4p</p> <p>axis cutting out</p> | | Y(mm) | REVERSO 20A** | 84 | REVERSO 20A* | 94 | REVERSO 25-32A | 92 | REVERSO 50-63A | 102 | REVERSO 80-100A | 112 |  <p>medium handle</p> <p>Quadral presentation □ 72 for 50 and 63 A</p> |  <p>large handle</p> <p>Quadral presentation □ 96 for 80 and 100 A</p> |
| | Y(mm) | | | | | | | | | | | | | |
| REVERSO 20A** | 84 | | | | | | | | | | | | | |
| REVERSO 20A* | 94 | | | | | | | | | | | | | |
| REVERSO 25-32A | 92 | | | | | | | | | | | | | |
| REVERSO 50-63A | 102 | | | | | | | | | | | | | |
| REVERSO 80-100A | 112 | | | | | | | | | | | | | |

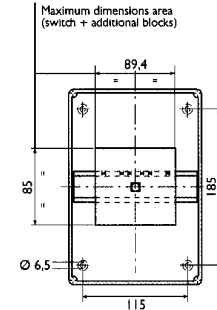
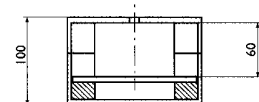
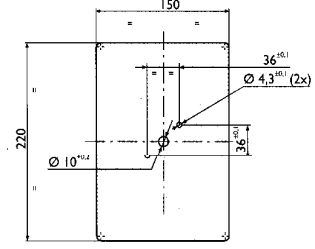
| | padlockable presentation | Quadral presentation | | | | | | | | | | | | | | | | | | | | |
|---|---|---|---|---|--------|---------|---------|----|----|-----------------|----|----|---------|----|----|-----------------|----|----|---------|----|----|---|
| |  |  | | | | | | | | | | | | | | | | | | | | |
| 20A | ∅ 66 | ∅ 48 |  |  | | | | | | | | | | | | | | | | | | |
| 25/32A | ∅ 66 | ∅ 64 | | | | | | | | | | | | | | | | | | | | |
| 50/63A | ∅ 66 | ∅ 72 | | | | | | | | | | | | | | | | | | | | |
| 80/100A | ∅ 86 | ∅ 96 | | | | | | | | | | | | | | | | | | | | |
| Panel drilling | | | | | | | | | | | | | | | | | | | | | | |
|  | | |  | | | | | | | | | | | | | | | | | | | |
| Panel drilling for shaft extension | | | Reverso 25 and 32 A with one hole mounting | | | | | | | | | | | | | | | | | | | |
| | rear mounting | front mounting | <table border="1"> <thead> <tr> <th></th> <th>L (mm)</th> <th>L' (mm)</th> </tr> </thead> <tbody> <tr> <td>3 poles</td> <td>46</td> <td>41</td> </tr> <tr> <td>3 poles + NC/NO</td> <td>46</td> <td>41</td> </tr> <tr> <td>4 poles</td> <td>46</td> <td>41</td> </tr> <tr> <td>4 poles + NC/NO</td> <td>56</td> <td>51</td> </tr> <tr> <td>6 poles</td> <td>56</td> <td>51</td> </tr> </tbody> </table> | | L (mm) | L' (mm) | 3 poles | 46 | 41 | 3 poles + NC/NO | 46 | 41 | 4 poles | 46 | 41 | 4 poles + NC/NO | 56 | 51 | 6 poles | 56 | 51 |  |
| | L (mm) | L' (mm) | | | | | | | | | | | | | | | | | | | | |
| 3 poles | 46 | 41 | | | | | | | | | | | | | | | | | | | | |
| 3 poles + NC/NO | 46 | 41 | | | | | | | | | | | | | | | | | | | | |
| 4 poles | 46 | 41 | | | | | | | | | | | | | | | | | | | | |
| 4 poles + NC/NO | 56 | 51 | | | | | | | | | | | | | | | | | | | | |
| 6 poles | 56 | 51 | | | | | | | | | | | | | | | | | | | | |
|  | | | PR12 - 20 A with one hole mounting L (mm) = 61 for 3 and 4 poles L (mm) = 71 for 3 and 4 poles + NC/NO and 6 poles | | | | | | | | | | | | | | | | | | | |
| PR12 - 20A | | | | | | | | | | | | | | | | | | | | | | |
|  | |  | | | | | | | | | | | | | | | | | | | | |
| PR 12 - 20A enclosure padlockable | | PR 12 - 20A enclosure Quadral presentation | | | | | | | | | | | | | | | | | | | | |



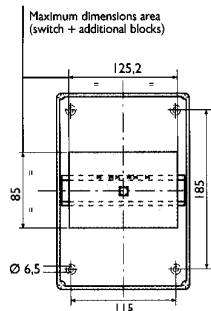
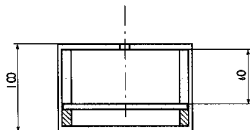
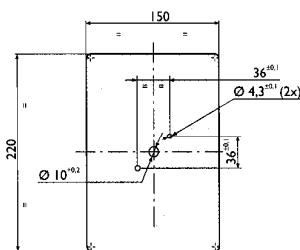
Enclosure for 25 and 32A REVERSO
3 to 4 poles + NC/NO



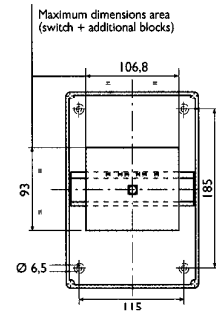
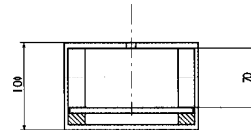
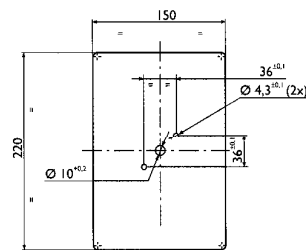
Enclosure for 25 and 32A REVERSO
6 and 6 poles + NC/NO



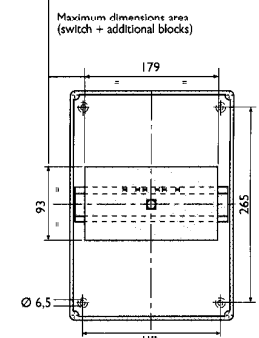
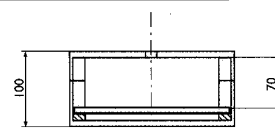
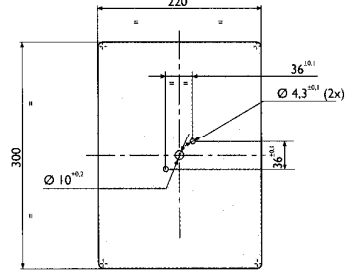
Enclosure for 50 and 63A REVERSO
3 to 4 poles + NC/NO



Enclosure for 50 and 63A REVERSO
6 and 6 poles + NC/NO



Enclosure for 80 and 100A REVERSO
3 and 3 poles + NC/NO



Enclosure for 80 and 100A REVERSO
4 to 6 poles + NC/NO