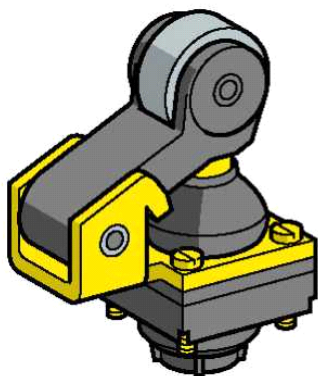


zckd239

limit switch head ZCKD - steel roller lever plunger with protective boot



Main

Range of product	OsiSense XC
Series name	Standard format
Product or component type	Limit switch head
Device short name	ZCKD
Head type	Plunger head
Product compatibility	XCKL XCKM
Associated body	ZCKL1 ZCKL1H7 ZCKL5 ZCKL5H7 ZCKL6 ZCKL6H7 ZCKL7 ZCKL7H7 ZCKL8 ZCKL8H7 ZCKLD31 ZCKLD31H7 ZCKLD35 ZCKLD35H7 ZCKLD37 ZCKLD37H7 ZCKLD39 ZCKLD39H7 ZCKM1 ZCKM1H29 ZCKM1H7 ZCKM5 ZCKM5H29 ZCKM5H7 ZCKM6 ZCKM6H29 ZCKM6H7 ZCKM7 ZCKM7H29 ZCKM7H7 ZCKM8 ZCKM8H29 ZCKM8H7 ZCKM9 ZCKM9H29 ZCKMD31 ZCKMD31H29 ZCKMD31H7 ZCKMD35 ZCKMD35H29 ZCKMD35H7 ZCKMD37 ZCKMD37H29 ZCKMD37H7 ZCKMD39 ZCKMD39H29 ZCKMD39H7
Movement of operating head	Linear Rotary
Type of operator	Roller lever plunger spring return metal (with protective boot)
Type of approach	Lateral approach 1 direction

Complementary

Switch actuation	By 30° cam
------------------	------------

Positive opening	With
Head material	Plastic

Environment

Ambient air temperature for operation	-25...70 °C
Ambient air temperature for storage	-40...70 °C
Environmental characteristic	Standard environment

Offer Sustainability

Sustainable offer status	Not Green Premium product
RoHS	Will be Compliant on 4Q2013 Will be Compliant on 4Q2013
Product environmental profile	Available
Product end of life instructions	Need no specific recycling operations