

SSRAL2

copper terminal lug - for panel mounting solid state relay SSP1



Main

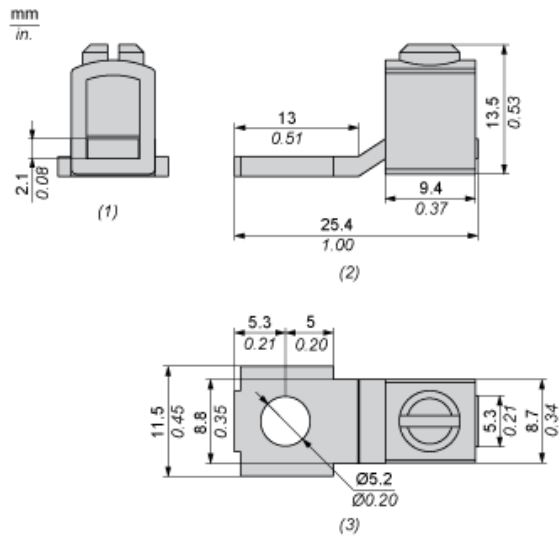
Product or component type	Terminal lug
Accessory / separate part category	Mounting accessory
Accessory / separate part destination	Solid state relay SSP1

Complementary

Material	Copper
AWG gauge	AWG 14...AWG 6
Tightening torque	2.3 N.m
Wire clamp screw torque	1.3...1.7 N.m
Product weight	8.87 g
Sale per indivisible quantity	10

The information provided in this documentation contains general descriptions and/or technical characteristics of the performance of the products contained herein. This documentation is not intended as a substitute for and is not to be used for determining suitability or reliability of these products for specific user applications. It is the duty of any such user or integrator to perform the appropriate and complete risk analysis, evaluation and testing of the products with respect to the relevant specific application or use thereof. Neither Schneider Electric Industries SAS nor any of its affiliates or subsidiaries shall be responsible or liable for misuse of the information contained herein.

Dimensions



- (1) Side view
- (2) Front view
- (3) Top view