



## Main

Commercial Status	Commercialised
Range of product	Zelio Relay
Accessory / separate part category	Marking accessories
Accessory / separate part type	Legend
Accessory / separate part designation	Sheet of 108 clip-in legends
Sale per indivisible quantity	10

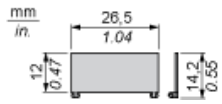
## Complementary

Product compatibility	Socket RXZ with connector
Accessory / separate part destination	All sockets RXZ with screw connector
Product weight	0.001 kg

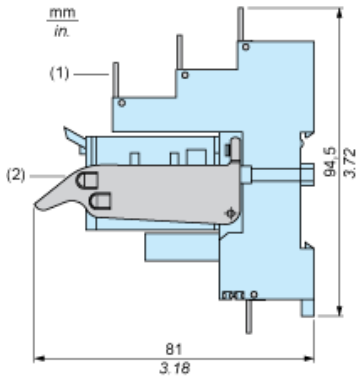
---

Dimensions

---



Mounting on All Sockets (1)



- (1) Clip-in legends for all sockets except RXZE2M114
- (2) Plastic clamp