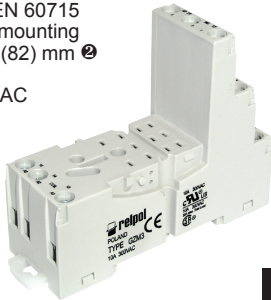


# Plug-in sockets and accessories

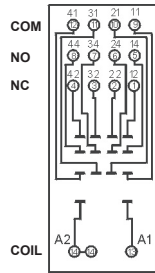
## GZM3

For R3N

Screw terminals  
Max. tightening moment for the terminal: 0,7 Nm  
35 mm rail mount  
acc. to PN-EN 60715  
or on panel mounting  
75 x 27 x 61(82) mm ②  
Three poles  
10 A, 300 V AC



### Connection diagram



ZGGZ4



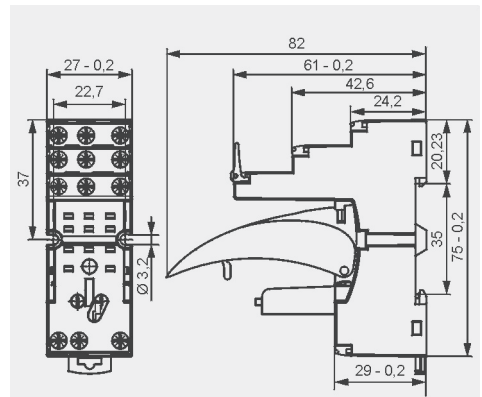
GZT4-0040 G4 1052



GZT4-0035

Module type M...

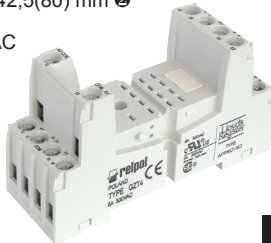
### Dimensions



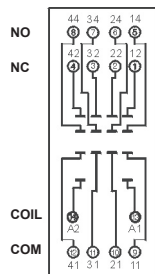
## GZT4 ④

For R4N, T-R4

Screw terminals  
Max. tightening moment for the terminal: 0,7 Nm  
35 mm rail mount  
acc. to PN-EN 60715  
or on panel mounting  
76,3 x 27 x 42,5(80) mm ②  
Four poles  
6 A, 300 V AC



### Connection diagram



ZGGZ4



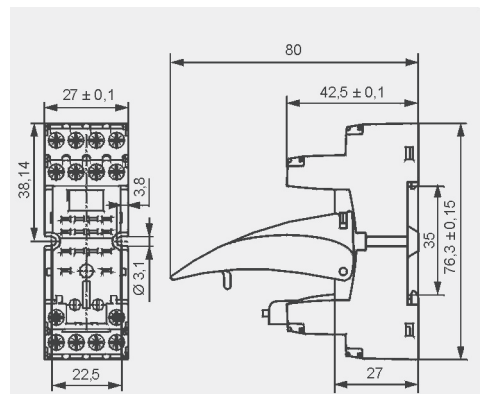
TR4-2000 GZT4-0040 G4 1052



GZT4-0035

Module type M...

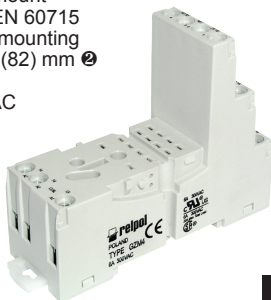
### Dimensions



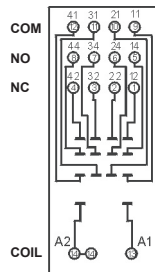
## GZM4

For R4N, T-R4

Screw terminals  
Max. tightening moment for the terminal: 0,7 Nm  
35 mm rail mount  
acc. to PN-EN 60715  
or on panel mounting  
75 x 27 x 61(82) mm ②  
Four poles  
6 A, 300 V AC



### Connection diagram



ZGGZ4



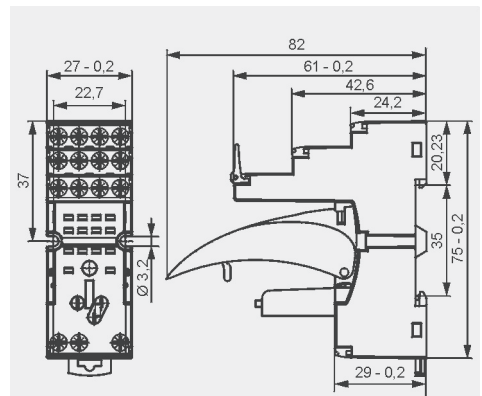
TR4-2000 GZT4-0040 G4 1052



GZT4-0035

Module type M...

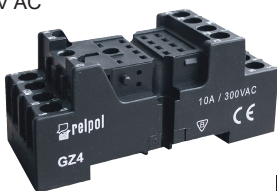
### Dimensions



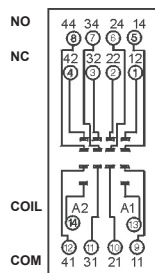
## GZ4

For R4N

Screw terminals  
Max. tightening moment for the terminal: 0,7 Nm  
35 mm rail mount  
acc. to PN-EN 60715  
or on panel mounting  
66,4 x 29,5 x 29 mm  
Four poles  
10 A, 300 V AC

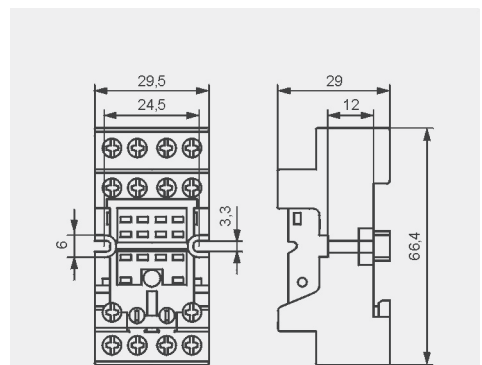


### Connection diagram



G4 1052

### Dimensions



① Mounting and sub-assemblies of accessories in the socket - see page 15. Signalling / protecting modules type M... - see page 20. ② In the bracket the height of socket with retainer / retractor clip is shown. ④ Have obtained LR Type Approval Certificate (Lloyd's Register). ⑤ For R4 relays: G4 1052, GZT4-0040, GZMB-0040, GZT4-0035, TR, module type M...; for T-R4 relays: TR4-2000, GZT4-0035, TR

## Test buttons (no latching) and plugs

**Test buttons (no latching)** are recommended for R2N...WT, R3N...WT, R4N...WT, R15...WT 2 CO, R15...WT 3 CO relays - **for applications that do not allow permanent contact latching**. By manual operation (pressing the button) relay contacts can get switched for as long time as long the button is pressed. Contacts return to initial position as soon as pressure is released from the button. Those operations can be done while the coil is deenergized.

Button **R4P-0001** or **R15-M404** can be easily inserted by the Customer after removal of button type **T** (see Fig. 2). Button type **T** can be removed with screwdriver as shown on Fig. 1.

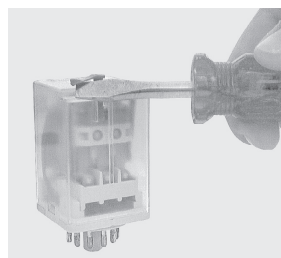


Fig. 1

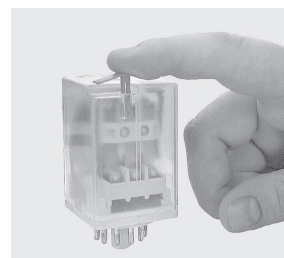
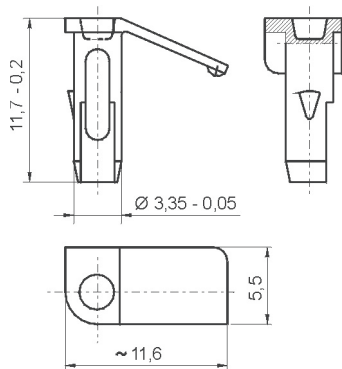


Fig. 2

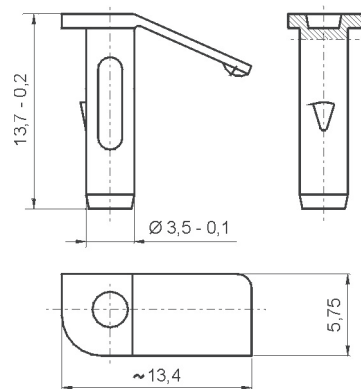
### Dimensions - test button R4P-0001 for R2N...WT, R3N...WT, R4N...WT



Types of buttons:

- R4P-0001-A - orange colour (AC coils)
- R4P-0001-D - green colour (DC coils)

### Dimensions - test button R15-M404 for R15...WT 2 CO, R15...WT 3 CO

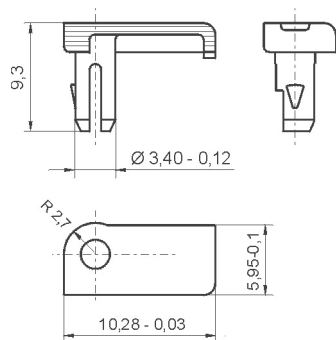


Types of buttons:

- R15-M404-A - orange colour (AC coils)
- R15-M404-D - green colour (DC coils)

**Plugs R4W-0003** or **R15-M203** can substitute button type **T** if **manual operation (latching and testing) is not allowed**. Changing button type **T** for plug can be done by Customer themselves in the same way as changing button type **T** for button (no latching).

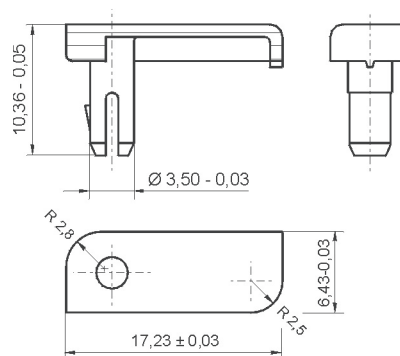
### Dimensions - plug R4W-0003 for R2N...WT, R3N...WT, R4N...WT



Types of plugs:

- R4W-0003-A - orange colour (AC coils)
- R4W-0003-D - green colour (DC coils)



### Dimensions - plug R15-M203 for R15...WT 2 CO, R15...WT 3 CO











Types of plugs:

- R15-M203-A - orange colour (AC coils)
- R15-M203-D - green colour (DC coils)

## Additional features for industrial relays

Industrial relays for plug-in sockets: R2N, R3N, R4N, R15 - 2 CO , R15 - 3 CO  with **WT features as standard** (**W** - mechanical indicator + **T** - lockable front test button). **Detailed information** on additional features of individual relays can be found in the data sheets on the side of "Ordering codes".

Type 	Description	For industrial relays
<b>W</b>	mechanical indicator	R2N, R3N, R4N, (R15 - 2 CO, 3 CO  )
<b>T</b>	lockable front test button, orange colour - AC coils, green colour - DC coils	R2N, R3N, R4N, (R15 - 2 CO, 3 CO  )
<b>L</b>	light indicator (LED diode), located inside the relay	R2N, R3N, R4N, RY2, (R15 - 2 CO, 3 CO, 4 CO  ) RUC, RUC-M
<b>D</b>	surge suppression element (diode) - only for DC coils	R2N, R3N, R4N, RY2, (R15 - 2 CO, 3 CO, 4 CO  )
<b>V</b>	surge suppression element (varistor) - only for AC coils	(R15 - 2 CO, 3 CO  )
<b>K</b>	test button without block function	(R15 - 4 CO  ) RUC

 Available combinations:

**WT, WTL, WTD, WTL D** - in relays R2N, R3N, R4N for plug-in sockets

**L, D, LD** - in relays RY2 for plug-in sockets

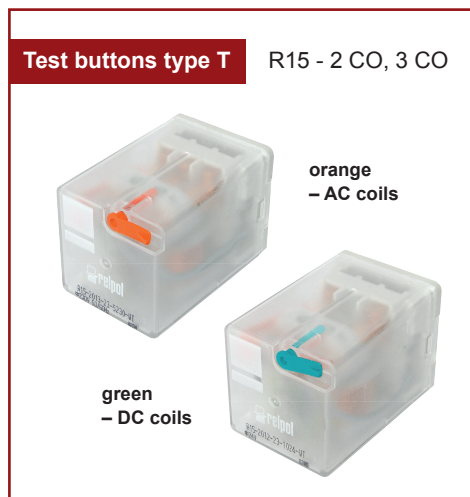
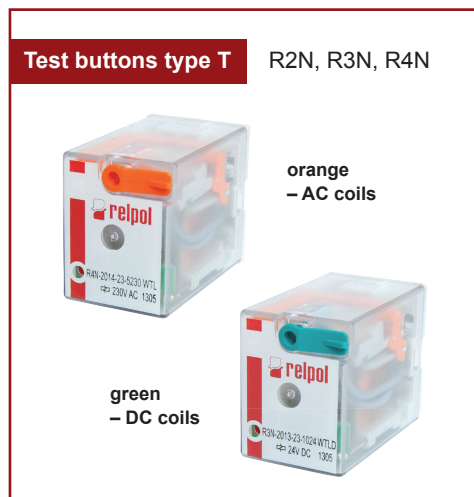
**WT, WTL, WTD, WTL D, WTV, WTL V** - in relays R15 - 2 CO, 3 CO for plug-in sockets

**K, L, D, KL, KD, LD, KLD** - in relays R15 - 4 CO for plug-in sockets

**K, L, KL** - in relays RUC

**L** - in relays RUC-M

 Voltage versions, in covers



## Interconnection strips ZGGZ4



PIR2-...-00L.  
(R2N + GZM2)

ZGGZ4

### ■ ZGGZ4 for:

Plug-in sockets	Relays for plug-in sockets	Interface relays ⑥
GZT2	R2N	PIR2-...-00L. (R2N + GZM2)
GZM2		PIR3-...-00L. (R3N + GZM3)
GZT3	R3N	PIR4-...-00L. (R4N + GZM4)
GZM3		
GZT4	R4N	
GZM4		

⑥ Interface relay **PIR2 (PIR3, PIR4)** is offered as a **set**: plug-in socket **GZM2 (GZM3, GZM4)** + miniature industrial relay **R2N (R3N, R4N)** + signalling / protecting module **type M...** + retainer / retractor clip **GZT4-0040** + description plate **GZT4-0035**.

### ■ Interconnection strip ZGGZ4

- designed for the co-operation with plug-in sockets of miniature industrial relays and with interface relays PIR2, PIR3 and PIR4, which are equipped with screw terminals; sockets and relays are mounted on 35 mm rail mount acc. to PN-EN 60715,
- bridges common input signals (coil terminals A1 or A2) or output signals - see photo at the top,
- maximum permissible current is 10 A / 250 V AC,
- possibility of connection of 6 sockets or relays,
- colours of strips: **ZGGZ4-1** grey, **ZGGZ4-2** black.

