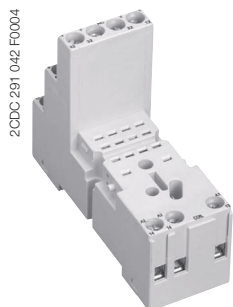


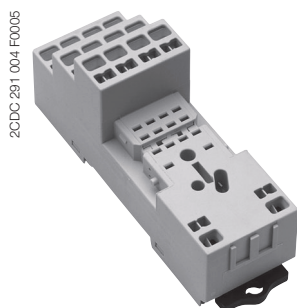
Accessories for pluggable interface relays CR-M

Sockets

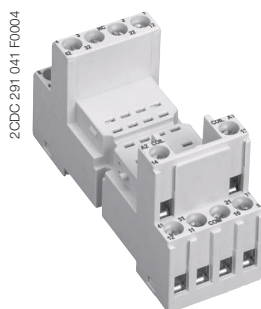
Data sheet



CR-M4LS



CR-M4LC



CR-M4SS



CR-MH

Features

- Logical and standard socket for interface relays CR-M
- Snap-on mounting on DIN rail
- Width 27 mm
- Connector for pluggable function modules: reverse polarity protection, LED indication, RC element, overload protection

Approvals



Marks



Ordering data

Type	Version	Connection	Order code
Logical sockets			
CR-M2LS	for 2 c/o contacts	screw	1SVR 405 651 R1100
CR-M3LS	for 3 c/o contacts	screw	1SVR 405 651 R2100
CR-M4LS	for 2 or 4 c/o contacts	screw	1SVR 405 651 R3100
CR-M2LC	for 2 c/o contacts	spring	1SVR 405 651 R1200
CR-M4LC	for 2 or 4 c/o contacts	spring	1SVR 405 651 R3200
Standard sockets			
CR-M2SS	for 2 c/o contacts	screw	1SVR 405 651 R1000
CR-M3SS	for 3 c/o contacts	screw	1SVR 405 651 R2000
CR-M4SS	for 2 or 4 c/o contacts	screw	1SVR 405 651 R3000
CR-M2SF	for 2 c/o contacts	fork type screw	1SVR 405 651 R1300
CR-M4SF	for 2 or 4 c/o contacts	fork type screw	1SVR 405 651 R3300
Accessories for CR-M sockets			
CR-MH	Plastic holder		1SVR 405 659 R1000
CR-MH1	Metall holder		1SVR 405 659 R1100

Standard sockets - Position of connecting terminals:

coil connection (A1-A2) and common contacts on lower socket side, contact connections (n/o and n/c contacts) on upper socket side.

Logical sockets - Position of connecting terminals:

coil connection (A1-A2) on lower socket side, all contact connections (common contacts, n/o and n/c contacts) on upper socket side. Details see position of connecting terminals.

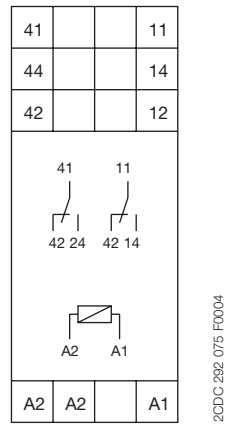
Bold printed products = stocked products. Packing unit = 10 pieces. Sockets and pluggable function modules see separate data sheets.

Accessories for pluggable interface relays CR-M

Sockets

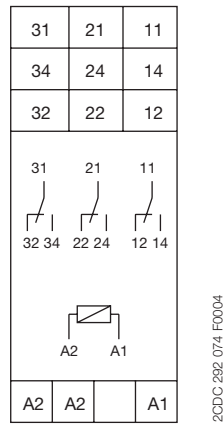
Data sheet

Position of connecting terminals



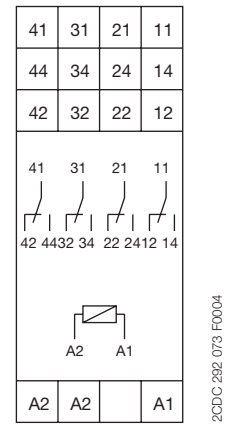
2CDC 292 075 F004

CR-M2LS



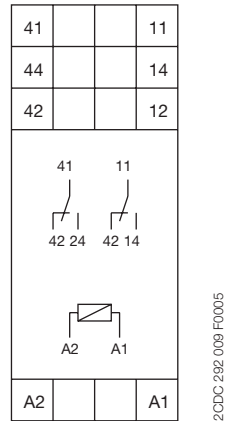
2CDC 292 074 F004

CR-M3LS



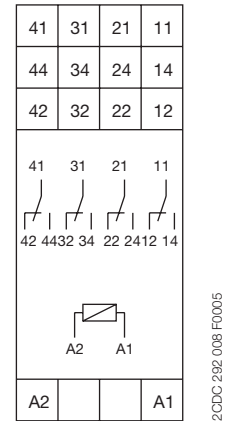
2CDC 292 073 F004

CR-M4LS



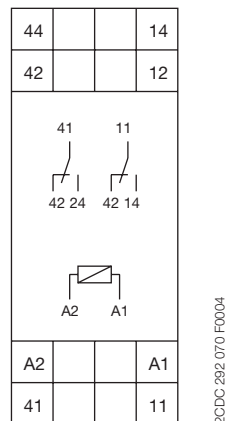
2CDC 292 009 F005

CR-M2LC



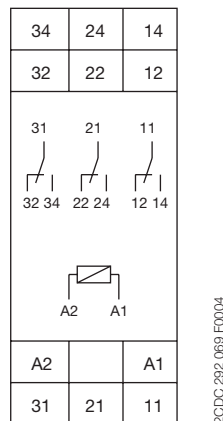
2CDC 292 008 F005

CR-M4LC



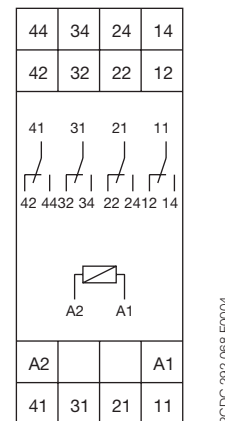
2CDC 292 070 F004

CR-M2SS, CR-M2SF



2CDC 292 069 F004

CR-M3SS



2CDC 292 068 F004

CR-M4SS, CR-M4SF

A1-A2 Supply voltage
11-12/14 Relay outputs
41-42/44

A1-A2 Supply voltage
11-12/14 Relay outputs
21-22/24
31-32/34

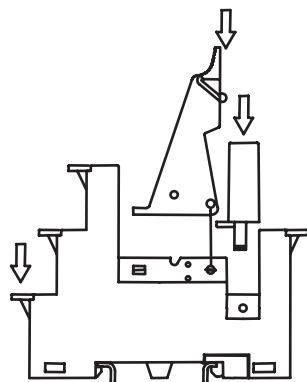
A1-A2 Supply voltage
11-12/14 Relay outputs
21-22/24
31-32/34
41-42/44

Accessories for pluggable interface relays CR-M

Sockets

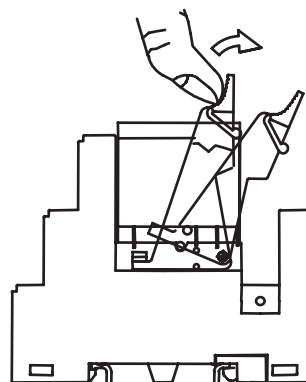
Data sheet

Mounting



2CDC 292 061 F0004

Removal



2CDC 292 062 F0004

Technical data

Type		CR-MxLS	CR-MxSS	CR-MxSF	CR-MxLC
Output circuits		11-12/14, 21-22/24, ...			
Number of poles		2, 3 or 4		2 or 4	
Rated voltage		300 V AC			
Rated current		12 A		10 A	
General data					
Dimensions without holder and module (L x W x H)		75 x 27 x 61 mm	75 x 27 x 42.5 mm	66.4 x 29.5 x 29 mm	95 x 31 x 42.5 mm
Degree of protection		terminals	IP 20 B (EN 60529)		
Temperature range		operation		-25...+85 °C	
		storage		-40...+85 °C	
Connection type		screw connection		fork type screw	spring connection
Maximum number of wires per connecting terminal		2			2 (one per connection point)
Wire size		rigid		2x1.5 mm ² (2x16 AWG)	0.2-1.5 mm ² (24-16 AWG)
		fine-strand			
		with wire end ferrule		2 x 1.5 mm ² (2 x 16 AWG)	
Maximum torque		0.8 Nm		0.7 Nm	-
Minimum clamping force for fine-strand wire		with 0.2 mm ²		-	10 N
		with 1.5 mm ²		-	40 N
		with wire end ferrule		-	> 40 N
Mounting		DIN rail (EN 50022)			
Material		socket		PA 6+GF - V2	
		contacts		CuZn33	
		contact surface		5 μ tinned	6 μ nickelized
		terminals		8 μ galvanized	CCSC
		combi screw M3		8.8 Steel, 5μ nickelized	
Isolation data					
Insulation voltage		> 3 kV		> 4 kV	
Isolation between coil and contacts		EN 61984			DIN EN 61140, VDE 0140-1
Clearance and creepage distance		EN 61984		DIN EN 60664-1	
Standards					
Products standard		EN 61984: 2001			
Low Voltage Directive		73/23/EWG			

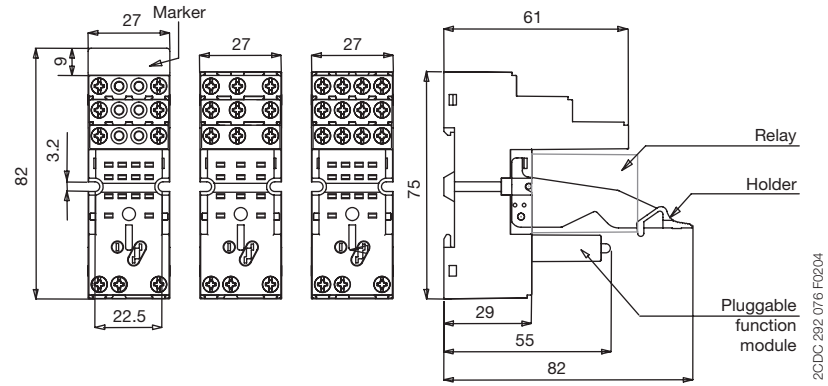
Accessories for pluggable interface relays CR-M

Sockets

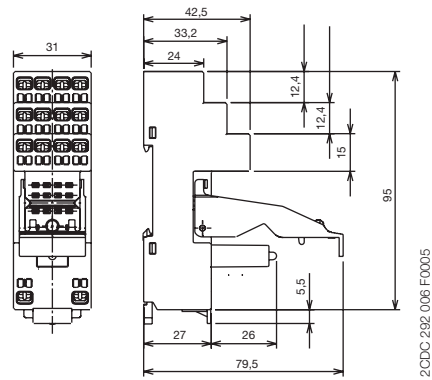
Data sheet

Dimensions

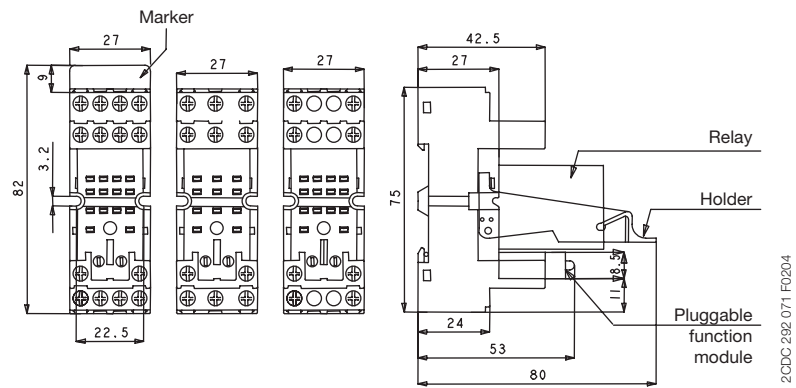
in mm



CR-MxLS



CR-MxLC

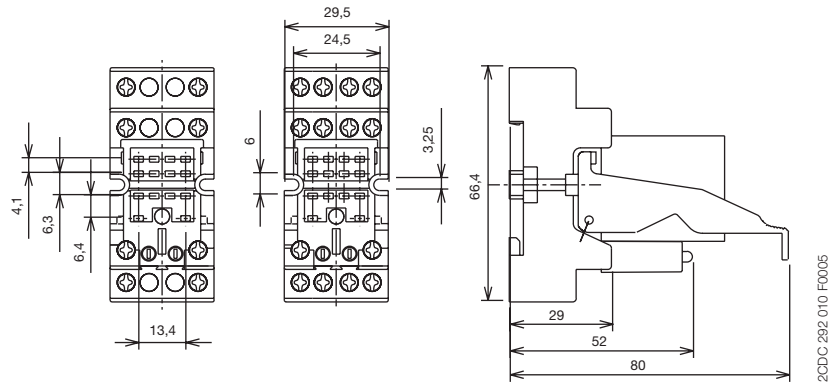


CR-MxSS

Accessories for pluggable interface relays CR-M

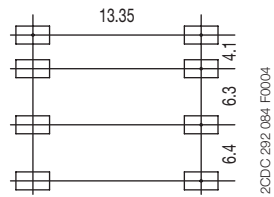
Sockets

Data sheet



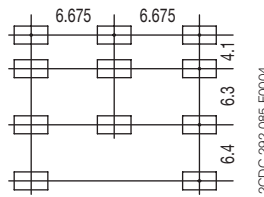
CR-MxSF

Pinning



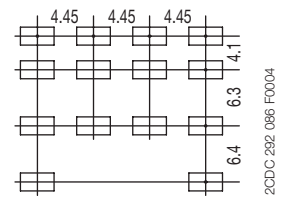
2CDC 292 084 F0004

CR-M2xS



2CDC 292 085 F0004

CR-M3xS



2CDC 292 086 F0004

CR-M4xS

Accessories

Relays: see data sheet 2CDC 117 002 D02xx
 Pluggable function modules: see data sheet 2CDC 117 007 D02xx



ABB STOTZ-KONTAKT GmbH

Eppelheimer Straße 82 69123 Heidelberg, Germany
Postfach 10 16 80 69006 Heidelberg, Germany
Internet <http://www.abb.com/lowvoltage> → Control Products → Electronic Relays
E-Mail epr-support@stotzkontakt.de