



## 7002

Natural frequency : (1)  
• En axial 7 to 10 Hz  
• En radial 4,5 to 6 Hz

## DESCRIPTION

The 7002 damper has a satin finish treated AG3 casing and mounting plate, a stainless steel centre axis. A spring and stainless steel cushion provide the resilient elements. It has four Ø 5.2 mounting holes in the base and a tapped hole in the centre axis.

## APPLICATIONS

Its axial natural frequency of between 7 and 10 Hz and its integral travel limiter enable 7002 dampers to be used for mounting electronic or computer equipment, navigation equipment and on board measurement instruments.

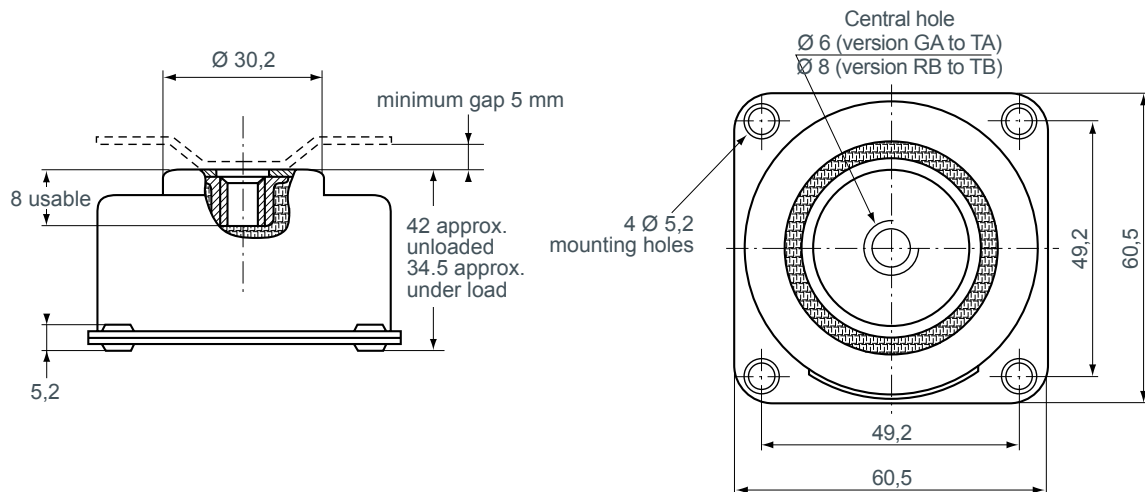
They can also be used for static equipment for suspending control panels, etc.

Their all metal construction enable them to operate in the harshest of conditions.

(1) Natural frequencies with max/min loads, see : OPERATING CHARACTERISTICS.



# DIMENSIONS



# OPERATING CHARACTERISTICS

- Natural frequency :
  - axial : 7 to 10 Hz depending on load;
  - radial : 4.5 to 6 Hz depending on load.
- Maximum permitted excitation at natural frequency of suspension :  $\pm 0.75$  mm.
- Amplification factor at resonance :  $< 4$ .
- Operating temperature :  $- 70^{\circ}\text{C}$  to  $+ 300^{\circ}\text{C}$ .
- Structural strength corresponds to continuous acceleration of 10 g with maximum load.
- Travel available under shock :
  - axial :  $\pm 6$  mm;
  - radial :  $\pm 5$  mm.
- Weight : 100 to 200 (depending on version).

Reference	Axial static load (daN)	Central hole
7002 GA	0,70 - 1,25	M6
7002 HA	1,15 - 2,30	
7002 JA	2,00 - 4,50	
7002 KA	2,80 - 5,60	
7002 LA	4,50 - 9,00	
7002 UA	7,00 - 14,00	
7002 MA	8,00 - 18,00	
7002 PA	16,00 - 22,00	
7002 RB	20,00 - 33,00	M8
7002 SB	28,00 - 45,00	
7002 TB	40,00 - 60,00	

