



STABIFLEX

Natural frequency : (1)
6 to 11 Hz

DESCRIPTION

The STABIFLEX mount comprises a conical rubber section bonded between inner and outer metal parts.

- Centre axis with threaded hole.
- Square (4 holes) or diamond base (2 holes) with clearance hole.
- Bonded natural rubber, anti-slip bead.
- Cup to protect the rubber and distribute the load.

OPERATION

The design of the STABIFLEX mount gives the following basic characteristics :

- axial elasticity two or three times higher than radial elasticity;
- the rubber works in shear/compression;
- progressive buffer against shocks or accidental overload;
- anti-slip (may be placed directly on the ground).

Advantages

- The machine may be placed with its mounts directly on the ground.
- Speed of fixing.
- Easy movement of suspended machinery.
- Rubber protected against harmful liquids.
- Extensive range : 3 hardnesses of rubber for 5 existing types, allowing the mount to be optimised as a function of the load and forcing frequency.
- May be used with an anti-rebound washer.

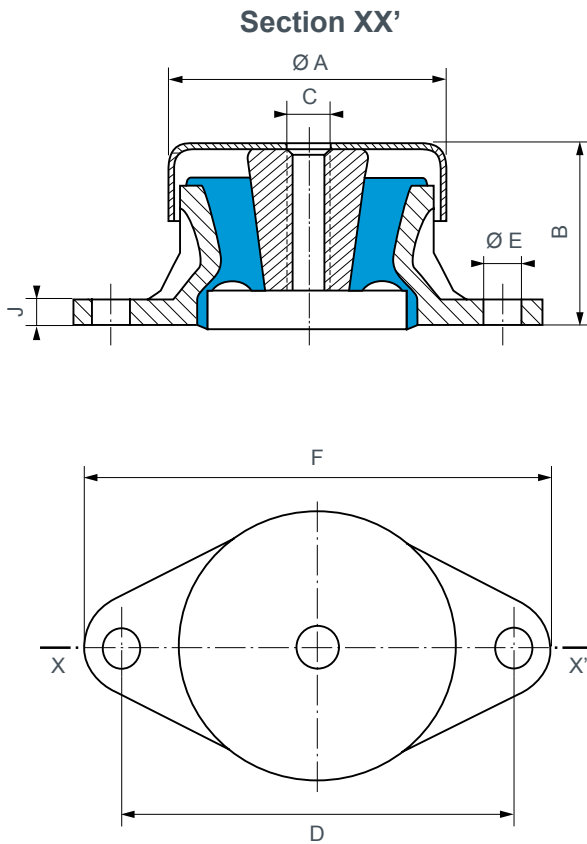
Recommendations

- In order not to affect the performances of the mounting system, all external connections must be flexible.
- STABIFLEX mounts must be fitted so that the vibration input is in the axial direction.

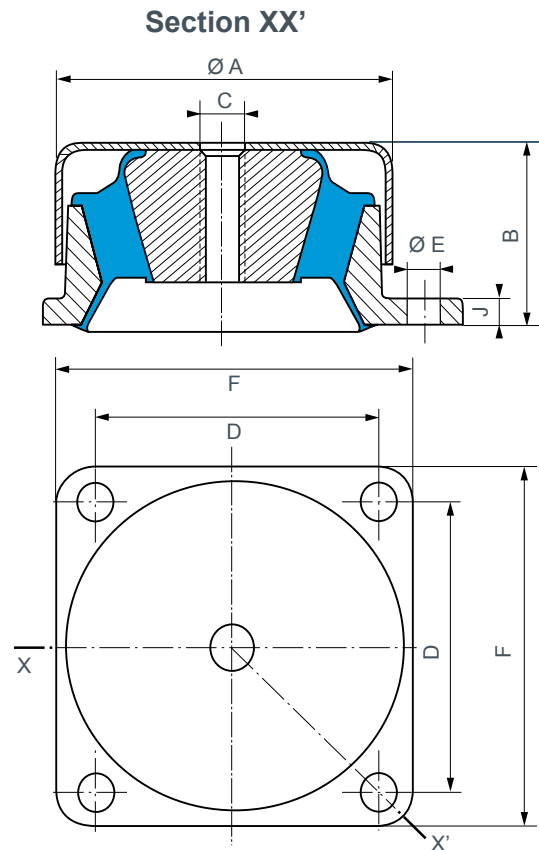
1) the indicated natural frequency, are valid for the maxi loads of the ranges of use quoted in the paragraph : TECHNICAL CHARACTERISTICS.



DIMENSIONS



STABIFLEX - diamond base



STABIFLEX - square base

Type	Reference	Hardness	Ø A (mm)	B (mm)	C	D (mm)	E (mm)	F (mm)	J (mm)	Weight (gr)
Diamond base	530603	45.60.75	69	41	M12	98	9	114	6	250
	530613	45.60.75	84	51	M12	115	11	137	7	450
Square base	530622	45.60.75	100	52	M12	90	11	114	7	1000
	530642	45.60	133	69	M16	114	13	144	9	2300
	530652*	45.60.75	133	69	M16	114	13	144	9	2700

* Part identified by the letter "R" (reinforced)

See current price list for availability of items.

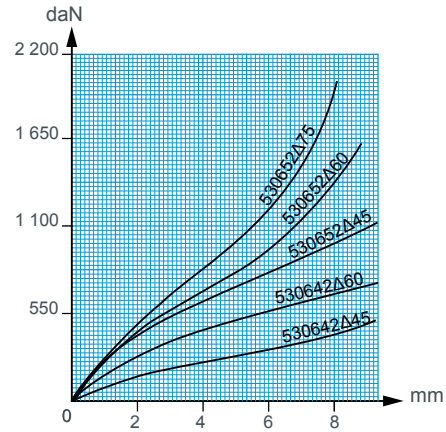
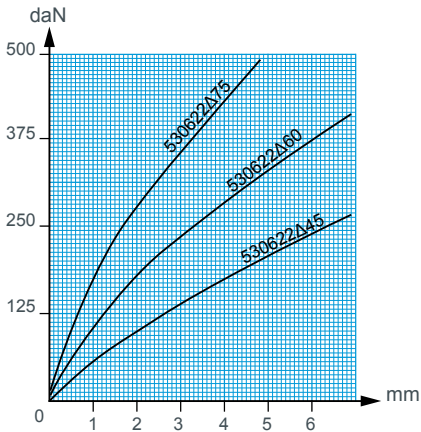
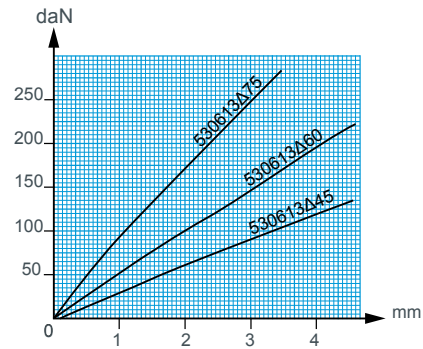
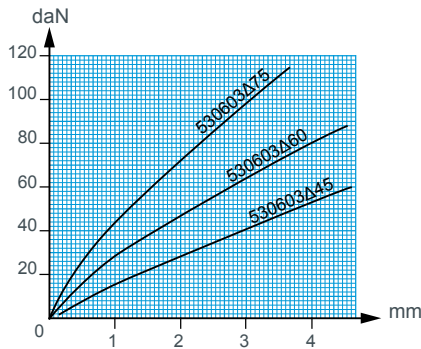
OPERATING CHARACTERISTICS

Nominal static load (daN)	Deflection (mm)	Reference	Hardness
10 - 42	3,5	530603	45
15 - 60	3	530603	60
20 - 93	3,5	530613	45
30 - 125	4	530603	75
40 - 165	3,5	530613	60
50 - 210	5	530622	45
65 - 260	3	530613	75

Nominal static load (daN)	Deflection (mm)	Reference	Hardness
65 - 275	4,5	530622	60
95 - 380	3,5	530622	75
110 - 450	8	530642	45
175 - 700	8	530642	60
250 - 1000	8	530652	45
325 - 1300	8	530652	60
450 - 1800	8	530652	75

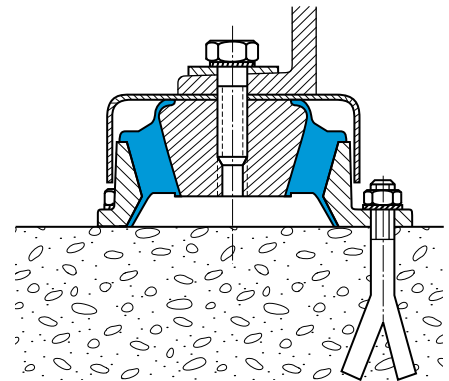
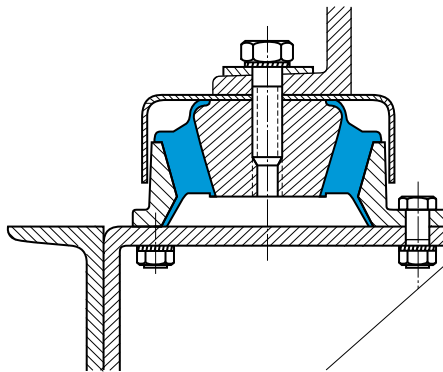


LOAD/DEFLECTION CURVES IN AXIAL COMPRESISON



ASSEMBLY

Standard fixing methods

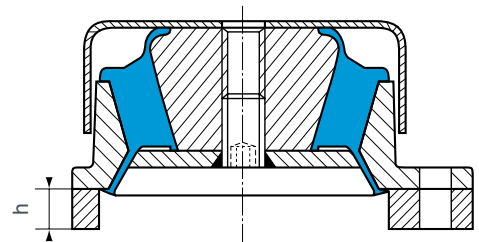


Fixing with anti-rebound washer

- The anti-rebound washer (not supplied) is fixed to the lower side of the centre axis.
- In this case, do not forget to fit a spacer.

Spacer thickness required :

- 530603 h: 2 mm
- 530613 h: 4 mm
- 530622 h: 7 mm
- 530642 h: 14 mm
- 530652 h: 14 mm



All our mounts are identified by conventional markings, either a paint spot or figures indicating the hardness : grey = hardness 45, green = hardness 60, blue = hardness 75.