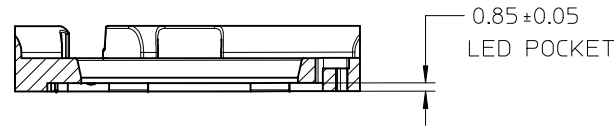
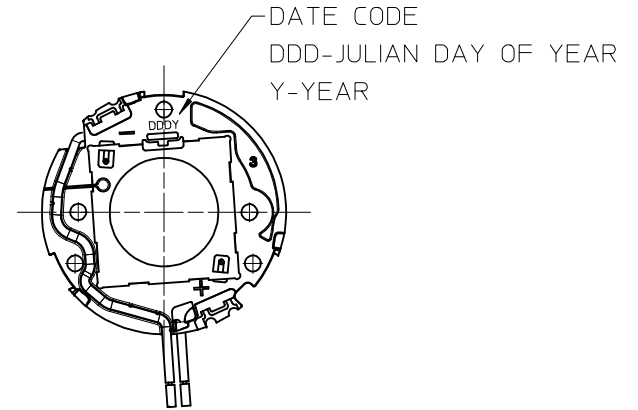
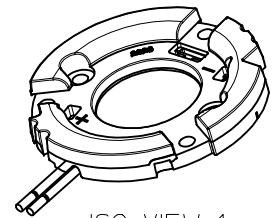


Section X-X



Detail 1  
Scale 2:1

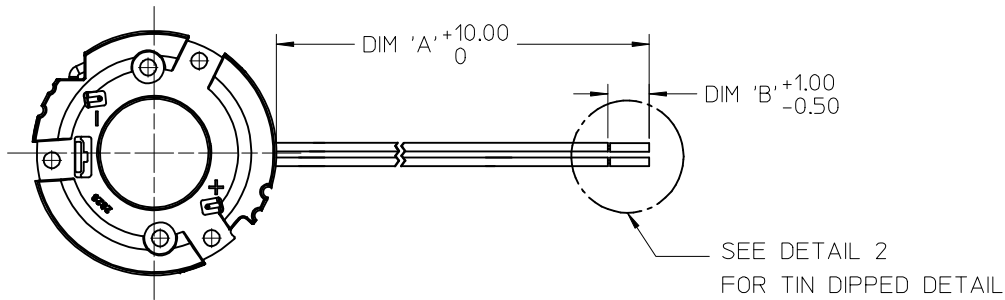


ISO VIEW 1  
SCALE 1:1

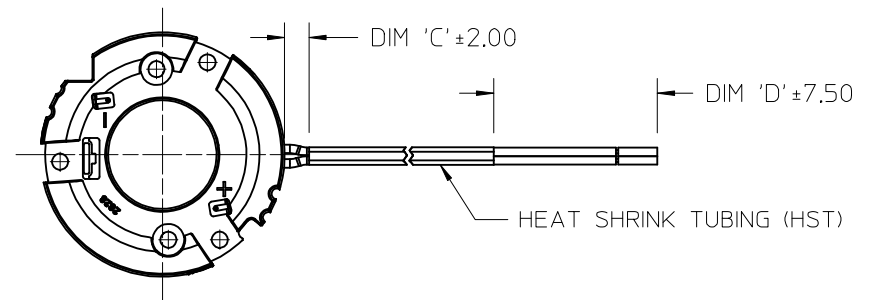
- NOTES:
1. MATERIALS: HOUSING: POLYESTER (PBT), GLASS FILLED, UL94 V-0, COLOR: WHITE; TERMINALS: COPPER ALLOY. OPTIONAL: HEAT SHRINK TUBING
  2. PLATING: TERMINAL CONTACT : SELECT GOLD (Au) OVER NICKEL (Ni).
  3. WIRE SPECIFICATION: UL 3266, 125C, 300V, 20AWG
  4. PRODUCT SPECIFICATION: PS-180555-002
  5. PACKAGING SPECIFICATION: PK-180559-013 AND PK-180559-014.
  6. APPLICATION SPECIFICATION: AS-180555-200.
  7. DESIGNED TO BE USED WITH LUMILEDS COB 1211.
  8. MOUNT HOLDER UTILIZING M3 SCREWS, TORQUE: 0.4 MINIMUM NEWTON METERS, 0.8 NEWTON METERS MAX.
  9. UL 8754 RECOGNITION PENDING. FILE NUMBER: TBD
  10. THIS PRODUCT IS ELV AND ROHS COMPLIANT
  11. ALL DIMENSIONS IN PARENTHESIS (XX.XX) ARE FOR REFERENCE ONLY.

<b>ENTER DESCRIPTION</b> EC NO: SSL2016-0008 DRAWN: MDEVIT001 2015/07/29 CHKD: GMEYER 2015/07/31 APPR: GMEYER 2015/08/12	<b>QUALITY SYMBOLS</b> ∇=0 ∇=0 ∇=0	<b>GENERAL TOLERANCES (UNLESS SPECIFIED)</b>		<b>DIMENSION STYLE</b> MM ONLY		SCALE 1:1	DESIGN UNITS METRIC	THIRD ANGLE PROJECTION		
		mm	INCH	DRAWN BY	DATE	TITLE <b>SLIMRAY COB HOLDER ASSEMBLY 28 MM X 28 MM FOR LUMILEDS</b>				
		4 PLACES ± ---	± ---	MDEVIT001	2015/02/25					
		3 PLACES ± ---	± ---	CHECKED BY	DATE	DOCUMENT NO. <b>SD-180555-151</b>				
2 PLACES ± 0.13	± ---	GMEYER	2015/04/15							
1 PLACE ± 0.25	± ---	APPROVED BY	DATE	SHEET NO. 1 OF 2						
0 PLACE ± ---	± ---	GMEYER	2015/04/15							
ANGULAR ± 1/2° DRAFT WHERE APPLICABLE MUST REMAIN WITHIN DIMENSIONS		MATERIAL NO. SEE CHART		THIS DRAWING CONTAINS INFORMATION THAT IS PROPRIETARY TO MOLEX INCORPORATED AND SHOULD NOT BE USED WITHOUT WRITTEN PERMISSION						
SIZE B										

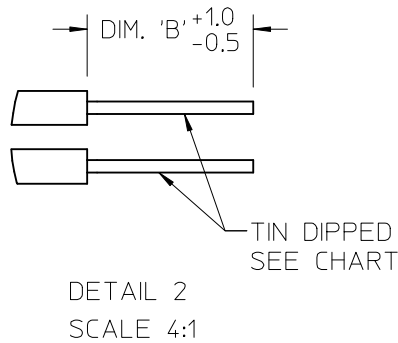
MOLEX PART NUMBER	DESCRIPTION	WIRE LENGTH	WIRE TYPE	FINISH	HEAT SHRINK TUBE	DIM. 'A'	DIM. 'B'	DIM. 'C'	DIM. 'D'
180555-1051	COB HOLDER W/O TUBING	600	STRANDED	TIN DIPPED	NO	600	8.5	X	X
180555-1053	COB HOLDER WITH HST	600	STRANDED	TIN DIPPED	YES (BLK)	600	8.5	5	22.5
180555-1054	COB HOLDER W/O TUBING	250	STRANDED	TIN DIPPED	NO	250	8.5	X	X
180555-1055	COB HOLDER W/O TUBING	700	STRANDED	TIN DIPPED	NO	700	8.5	X	X
180555-1058	COB HOLDER WITH HST	600	STRANDED	TIN DIPPED	YES (WHT)	600	8.5	5	22.5



COB HOLDER WITHOUT HEAT SHRINK TUBING



COB HOLDER WITH HEAT SHRINK TUBING



<b>ENTER DESCRIPTION</b> EC NO: SSL2016-0008 DRAWN: MDEVIT001 2015/07/29 CHKD: GMEYER 2015/07/31 APPR: GMEYER 2015/08/12	<b>QUALITY SYMBOLS</b> $\nabla F/0$ $\nabla F/0$ $\nabla F/0$	<b>GENERAL TOLERANCES (UNLESS SPECIFIED)</b>		<b>DIMENSION STYLE</b> <b>MM ONLY</b>		<b>SCALE</b> 1:1	<b>DESIGN UNITS</b> METRIC	<b>THIRD ANGLE PROJECTION</b>		
		4 PLACES	± ---	± ---	DRAWN BY	DATE	<b>TITLE</b> SLIMRAY COB HOLDER ASSEMBLY 28 MM X 28 MM FOR LUMILEDS			
		3 PLACES	± ---	± ---	CHECKED BY	DATE				
		2 PLACES	± 0.13	± ---	GMEYER	2015/04/15				
1 PLACE	± 0.25	± ---	APPROVED BY	DATE						
0 PLACE	± ---	± ---	GMEYER	2015/04/15	<b>MATERIAL NO.</b> SEE CHART		<b>DOCUMENT NO.</b> SD-180555-151	<b>SHEET NO.</b> 2 OF 2		
<b>REVISION</b> A2		ANGULAR ±1/2° DRAFT WHERE APPLICABLE MUST REMAIN WITHIN DIMENSIONS		<b>SIZE</b> B		THIS DRAWING CONTAINS INFORMATION THAT IS PROPRIETARY TO MOLEX INCORPORATED AND SHOULD NOT BE USED WITHOUT WRITTEN PERMISSION				