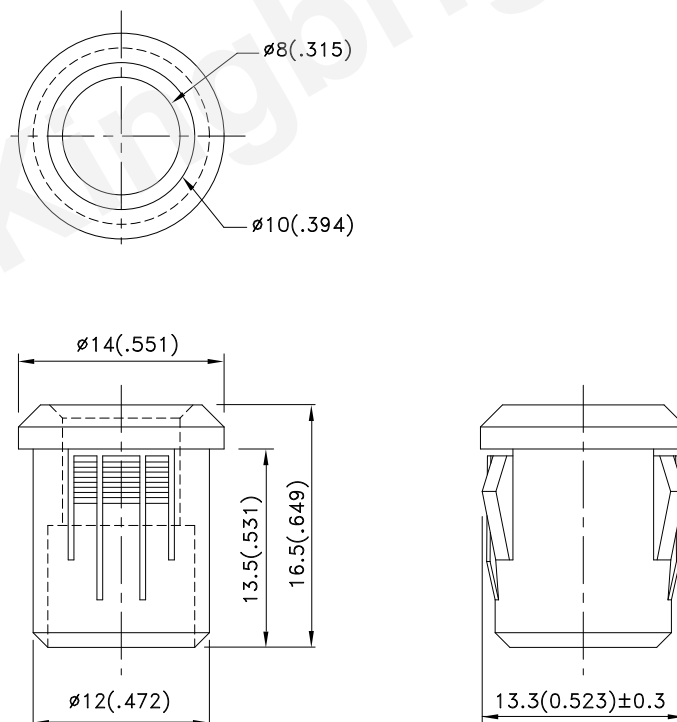


Part Number:RTF-8080

Features

- Suitable for back panel illumination, circuit board indicator, LED indicator.
- Housing UL rating:94V-0.
- Housing material: type 66 nylon.
- RoHS compliant.

Package Dimensions



Notes:

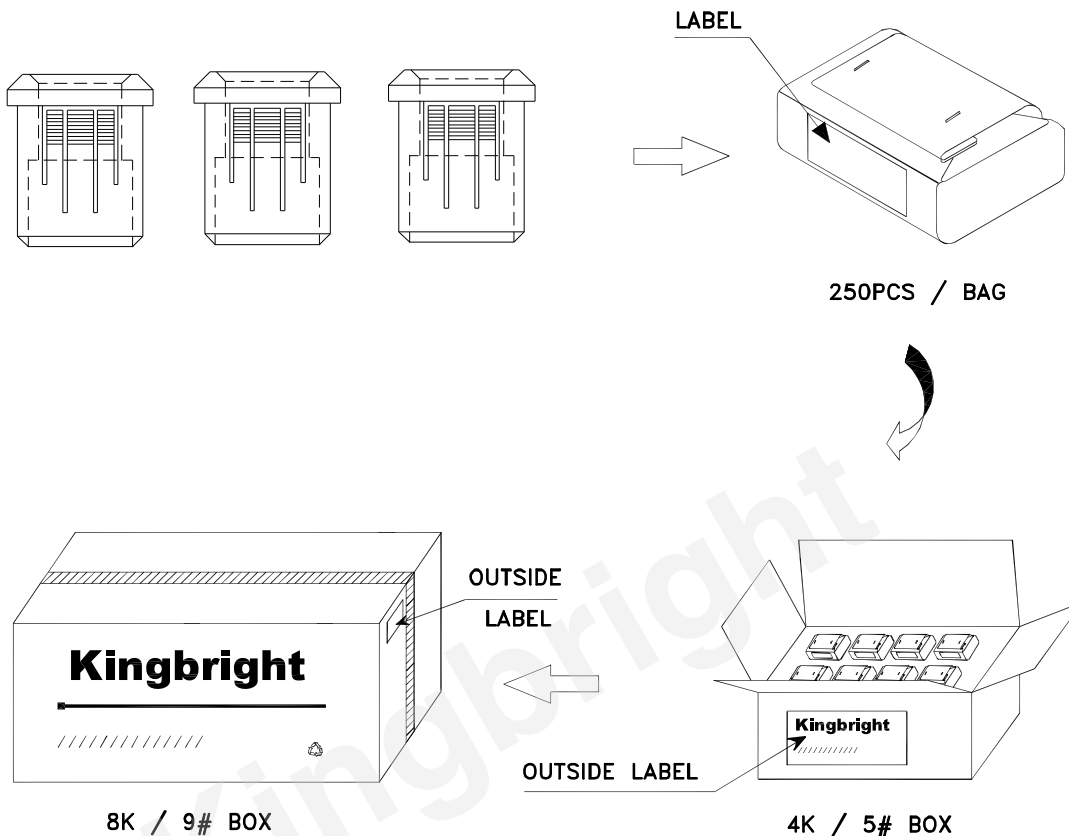
1. All dimensions are in millimeters (inches).
2. Tolerance is $\pm 0.25(0.01)$ unless otherwise noted.
4. The specifications, characteristics and technical data described in the datasheet are subject to change without prior notice.




Kingbright

PACKING & LABEL SPECIFICATIONS

RTF-8080



<h1>Kingbright</h1>		
P/NO: RTF-8080		
QTY: 250 pcs	Q.C.	Q C XX XX XXXX PASSED
S/N: XXXX		
CODE: XXX		
LOT NO:		
 <small>xxxxxxxxxxxxxxxxxxxxxxxxxxxxxxxx</small>		
RoHS Compliant		