

SKF Shaft Alignment Tool TKSA 51

Quick Start Guide

1. Description

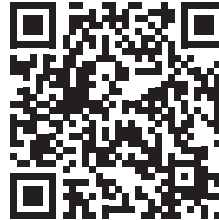


1. Measuring unit S	5. Connection blue LED
2. Measuring unit M	6. Status red/green LED
3. Laser adjustment	7. Power button
4. Charging connector	8. V-Bracket with locking chain

2. Installing the App

“Shaft Alignment for TKSA 51”

- ⓔ Install the App
- ⓕ Installer l'application
- ⓓ Installation der App
- ⓔ Instalar la App
- ⓓ Installare la App
- ⓓ Instalação do Aplicativo
- ⓓ 安装App应用程序
- ⓓ Установка приложения



1. Turn on Wi-Fi and connect to a network

Se connecter au réseau avec le Wi-Fi activé
WLAN anstellen und Verbindung zu einem Netzwerk herstellen
Activar el Wi-Fi y conectarse a una red
Accendere il Wi-Fi e connettersi a una rete
Ligue o Wi-Fi e conecte-se a uma rede
打开Wi-Fi,连接到网络
Включите Wi-Fi и подключитесь к сети

2. Go to the App Store Icon

Cliquer sur l'icône App Store
App Store Icon auswählen
Ir al icono de la App Store
Aprire l'icona dell'App Store
Vá para o ícone da loja de aplicativos
进入App商店
Выберите пиктограмму App Store



3. Tap the search area

Cliquer sur la zone de recherche
Suchleiste auswählen
Pulsar sobre la zona de búsqueda
Posizionarsi nell'area di ricerca
Vá para área de busca
点击搜索栏
Прикоснитесь к области поиска



4. Enter “SKF TKSA 51”

Entrer “SKF TKSA 51”
Eingabe “SKF TKSA 51”
Escribir “SKF TKSA 51”
Inserire “SKF TKSA 51”
Digite “SKF TKSA 51”
输入SKF TKSA 51
Введите “SKF TKSA 51”



5. Tap “GET”

Cliquer sur “Get”

Auf “Get” tippen

Pulsar en “Get”

Selezionare “Get”

Acione “Get”

点击 “Get”

Нажмите кнопку “Get”



6. Tap “INSTALL”

Saisir “INSTALL” (“Installer”)

Auf “INSTALL” tippen (“Laden”)

Pulsar en “INSTALL” (“Instalar”)

Selezionare “INSTALL”

Acione “INSTALL”

点击 “INSTALL”

Нажмите кнопку “INSTALL” (Установить)



7. If asked, enter your Apple ID password

Taper, si nécessaire, le mot de passe de votre identifiant Apple

Bei Nachfrage bitte Apple ID Passwort eingeben

Si se le pide, introduzca la contraseña asociada a su cuenta Apple

Se richiesta, inserire la password del vostro ID Apple

Se solicitado, digite a sua senha Apple ID

如果需要，请输入App ID 密码

При необходимости введите свой пароль для Apple ID.

8. Wait for the App to be downloaded

Attendre que le téléchargement de l'application soit terminé

Abwarten bis die App heruntergeladen ist

Espere a que la aplicación se descargue

Attendere la fine del download della App

Aguarde o download do aplicativo

等待App下载

Дождитесь завершения скачивания приложения.

9. Open the Shaft Alignment App

Ouvrir l'application alignement

d'arbres

App zur Ausrichtung von

Wellen starten

Abra la App dedicada a la

alineación de ejes

Aprire la App

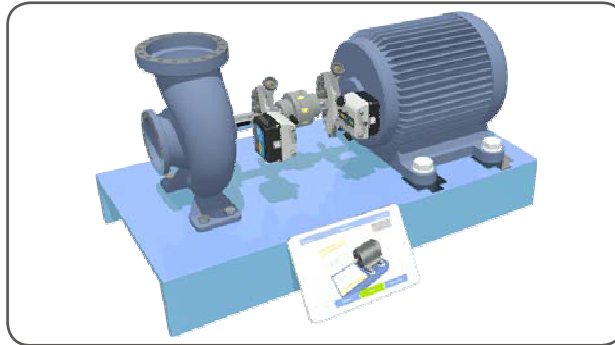
Abra o aplicativo de alinhamento de eixo

打开轴对中 App应用程序

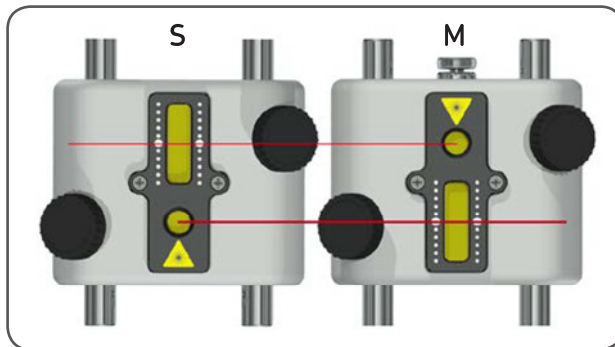
Откройте приложение для выверки соосности валов.



3. Mounting the measuring units



Mount the Measuring unit M on the Moveable machine.
Mount the Measuring unit S on the Stationary machine.



Adjust the laser lines to the center of the detectors.
Start by vertically adjusting the Measuring Unit S on the rods.
Use the laser adjustment knob on the Measuring Unit M.
The sensor status of the App indicates the correct position.



The TKSA 51 can be mounted directly on couplings when needed.

Note:

A dedicated Soft Foot App is available on the App Store. Search for "SKF Soft Foot". The App name is "Soft Foot for TKSA 51".



4. Compatible devices

- iPod Touch 5th generation and above
- iPhone 4S minimum
- iPad mini and above recommended
- iPad 3rd generation and above

5. SKF Alignment website

www.SKF.com/alignment



Safety recommendations

- The complete instructions for use are available on SKF.com and within the SKF TKSA 51 app.
- Read and follow all warnings in this document before handling and operating the equipment. You can be seriously injured, equipment and data can be damaged if you do not follow the safety warnings.
- Always read and follow the operating instructions.
- The equipment should not be used in areas where there is a risk of explosion.
- The tool uses two laser diodes with an output power below 1 mW. Still, never stare directly into the laser transmitter.
- Never aim the laser line into someone's eyes.
- The Measuring Units contains Lithium batteries. Do not expose the device to extreme heat.
- Do not charge the Measuring units below +4 °C (+40 °F) or above +45 °C (+113 °F).
- Dress properly. Do not wear loose clothing or jewellery. Keep your hair, clothing, and gloves away from moving parts.
- Do not overreach. Keep proper footing and balance at all times to enable better control of the device during unexpected situations.
- Use safety equipment. Non-skid safety shoes, hard hat or hearing protection must be used for appropriate conditions.
- Never work on energized equipment unless authorized by a responsible authority. Always turn off the power of the machine before you start.
- Do not expose the equipment to rough handling or impacts this will void the warranty.
- Avoid direct contact with water, wet surfaces, or condensing humidity.
- Do not attempt to open the device.
- Use only accessories that are recommended by SKF.
- Device service must be performed only by qualified SKF repair personnel.
- We recommend calibrating the tool every 2 years.



EC Declaration of conformity

We,

SKF Maintenance Products
Kelvinbaan 16
3439 MT Nieuwegein
The Netherlands

herewith declare that the following product:

SKF Shaft Alignment Tool TKSA 51

has been designed and manufactured in accordance with:
EMC DIRECTIVE 2004/108/EC as outlined in the harmonized norm
EN 61326-1:2013 Class B, group 1 equipment
CISPR 11:2009 Class B, group 1
IEC 61000-4-2:2009
IEC 61000-4-3:2006

EUROPEAN ROHS DIRECTIVE 2011/65/EU

The laser is classified in accordance with the EN 60825-1:2007.
The laser complies with 21 CFR 1040.10 and 1040.11 except for
deviations pursuant to Laser Notice No. 50, dated June 24, 2007.

The enclosed device complies with Part 15 of the FCC Rules.
47CFR: 2011 Part 15 Sub Part B Unintentional Radiators
Contains FCC ID: QOQBLE112
Certification Number IC: 5123A-BGTBLE112
Manufacturer's Name, Trade Name or Brand Name: bluegiga
Model Name: BLE112-A

Nieuwegein, The Netherlands,
May 2015



Sébastien David
Manager Product Development and Quality

SKF Maintenance Products

® SKF is a registered trademark of the SKF Group.
© SKF Group 2015/04

www.mapro.skf.com • www.skf.com/mount • MP5448

The contents of this publication are the copyright of the publisher and may not be reproduced (even extracts) unless prior written permission is granted. Every care has been taken to ensure the accuracy of the information contained in this publication but no liability can be accepted for any loss or damage whether direct, indirect or consequential arising out of use of the information contained herein.