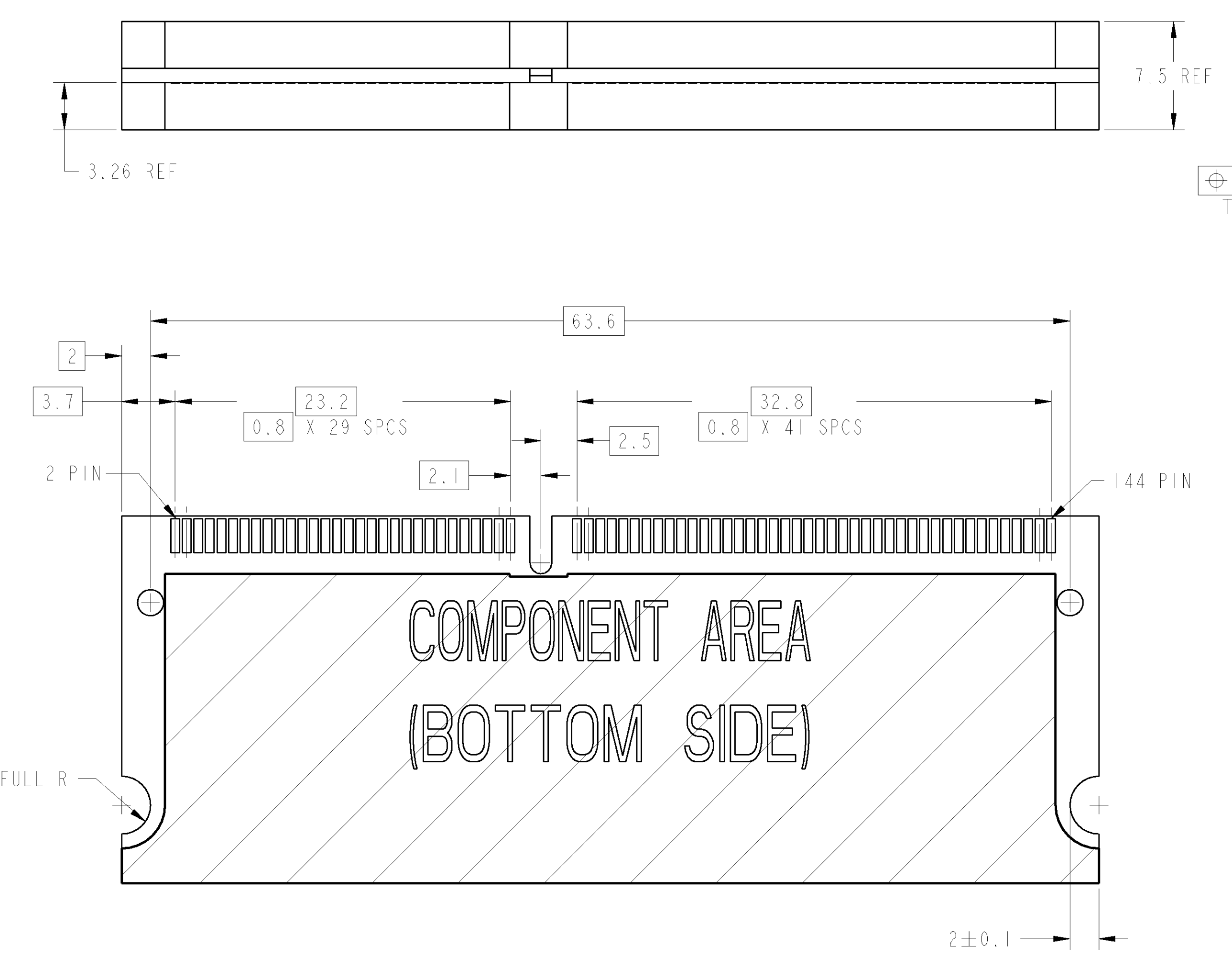
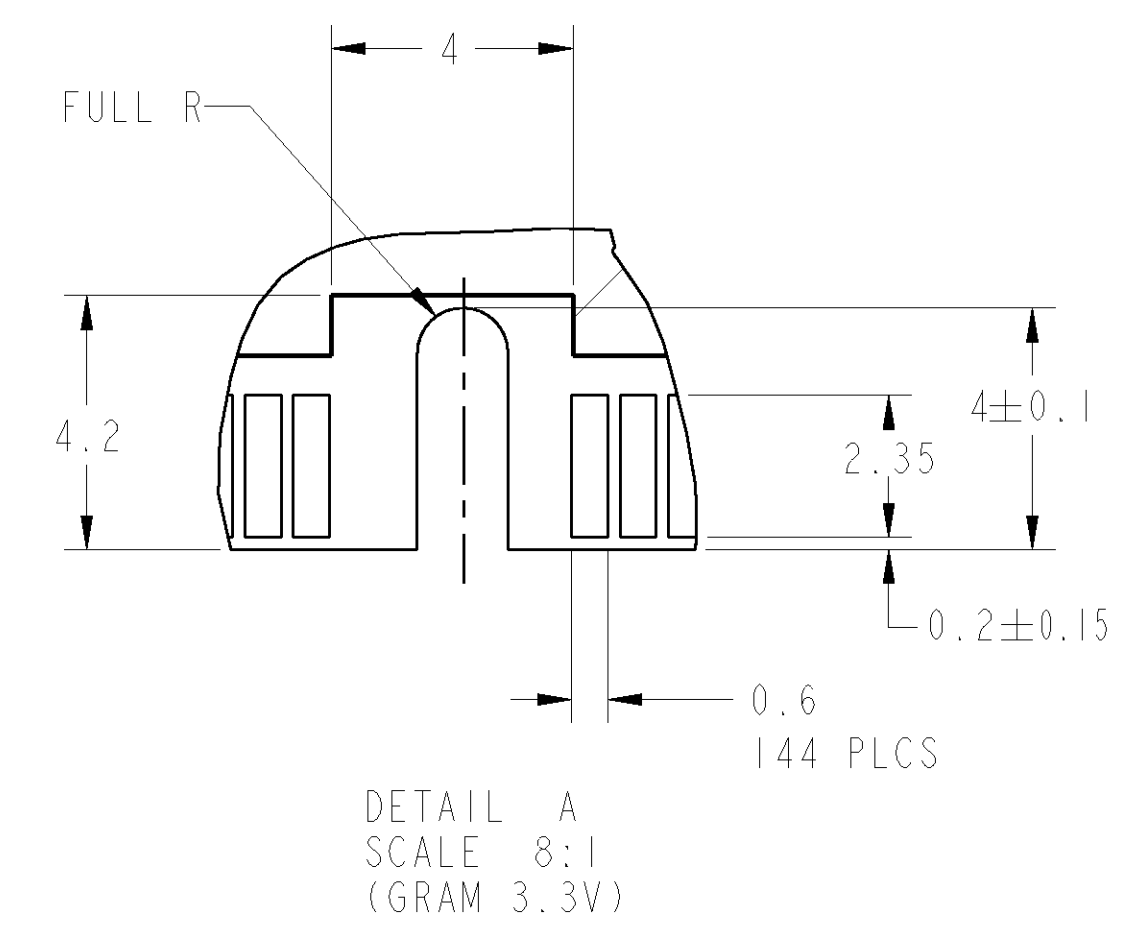
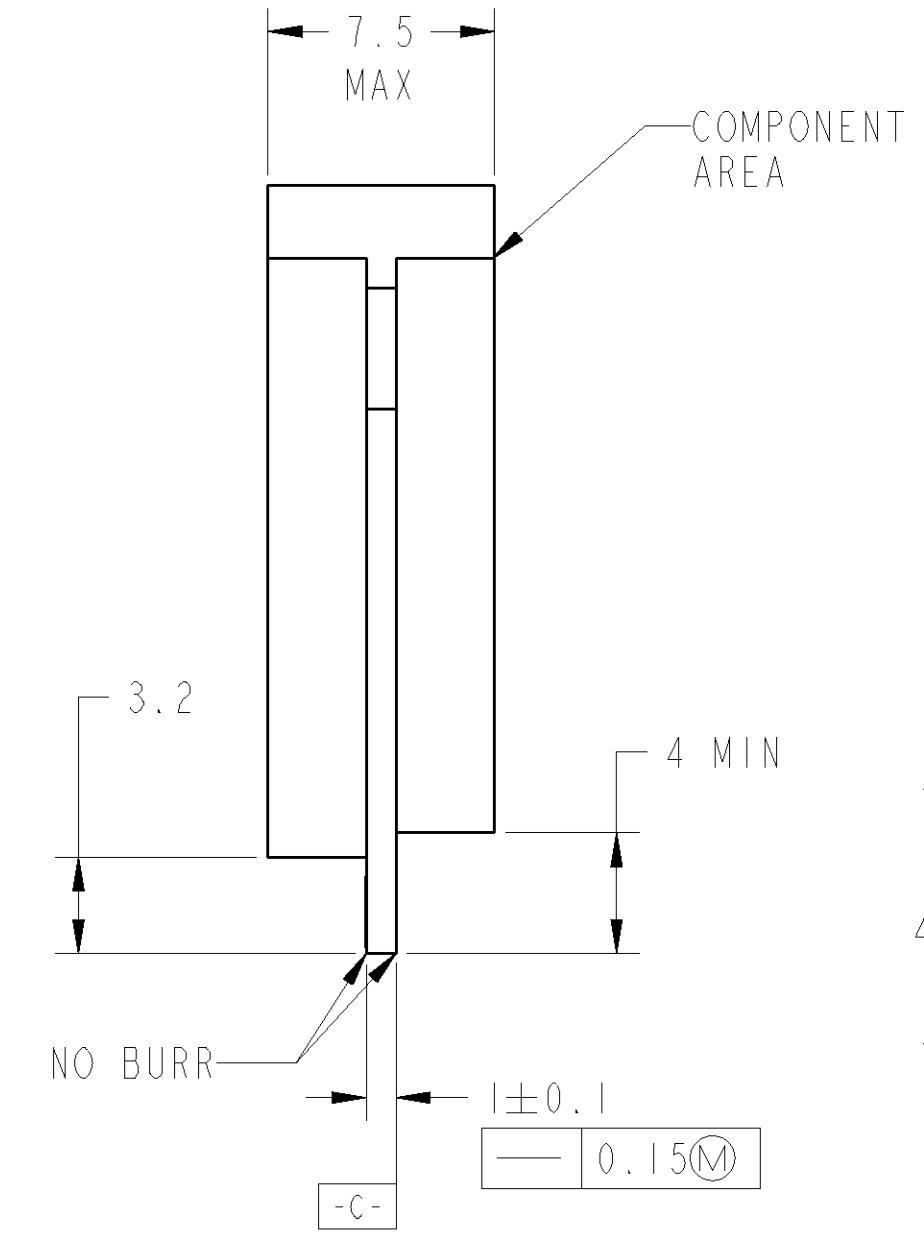
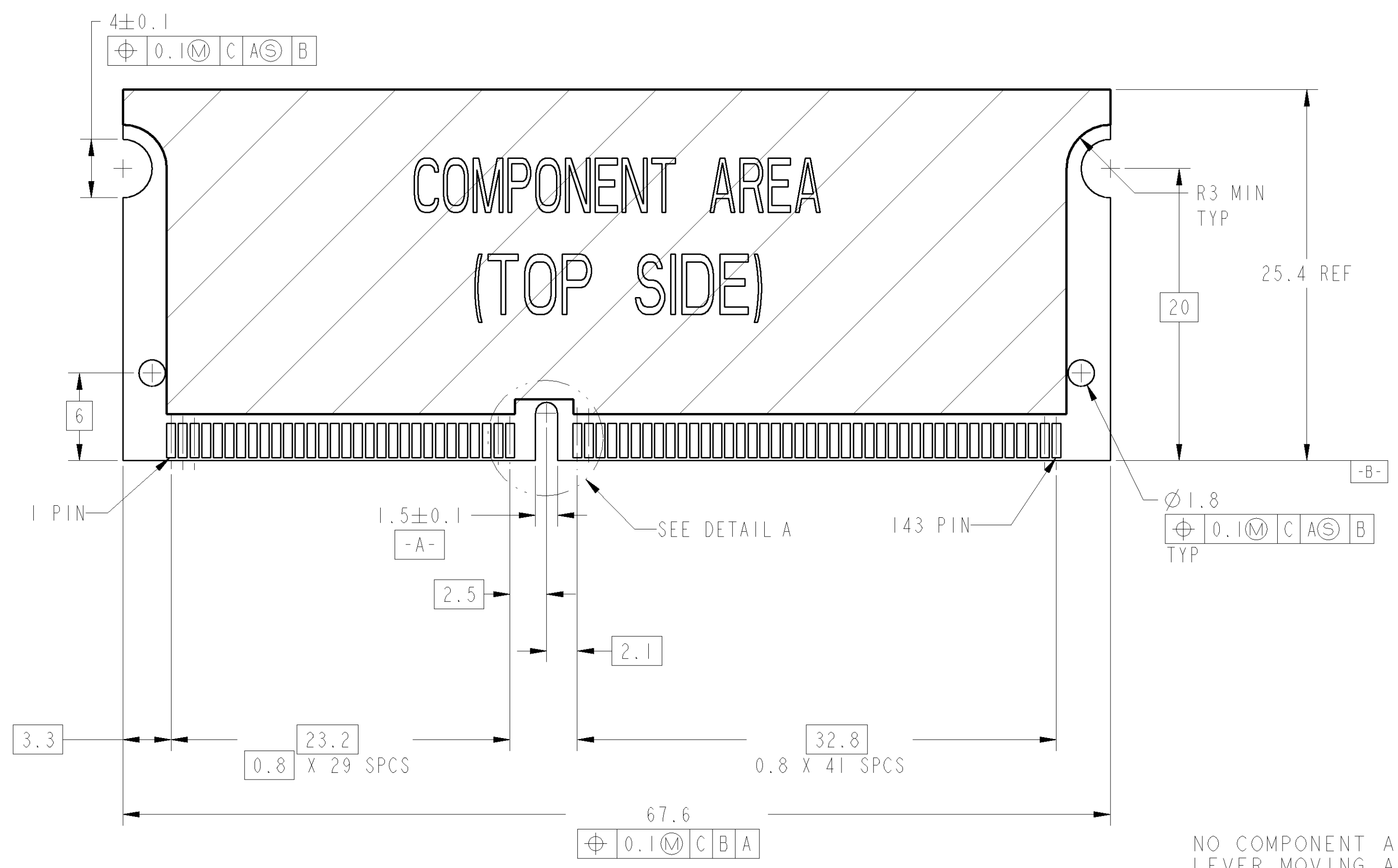
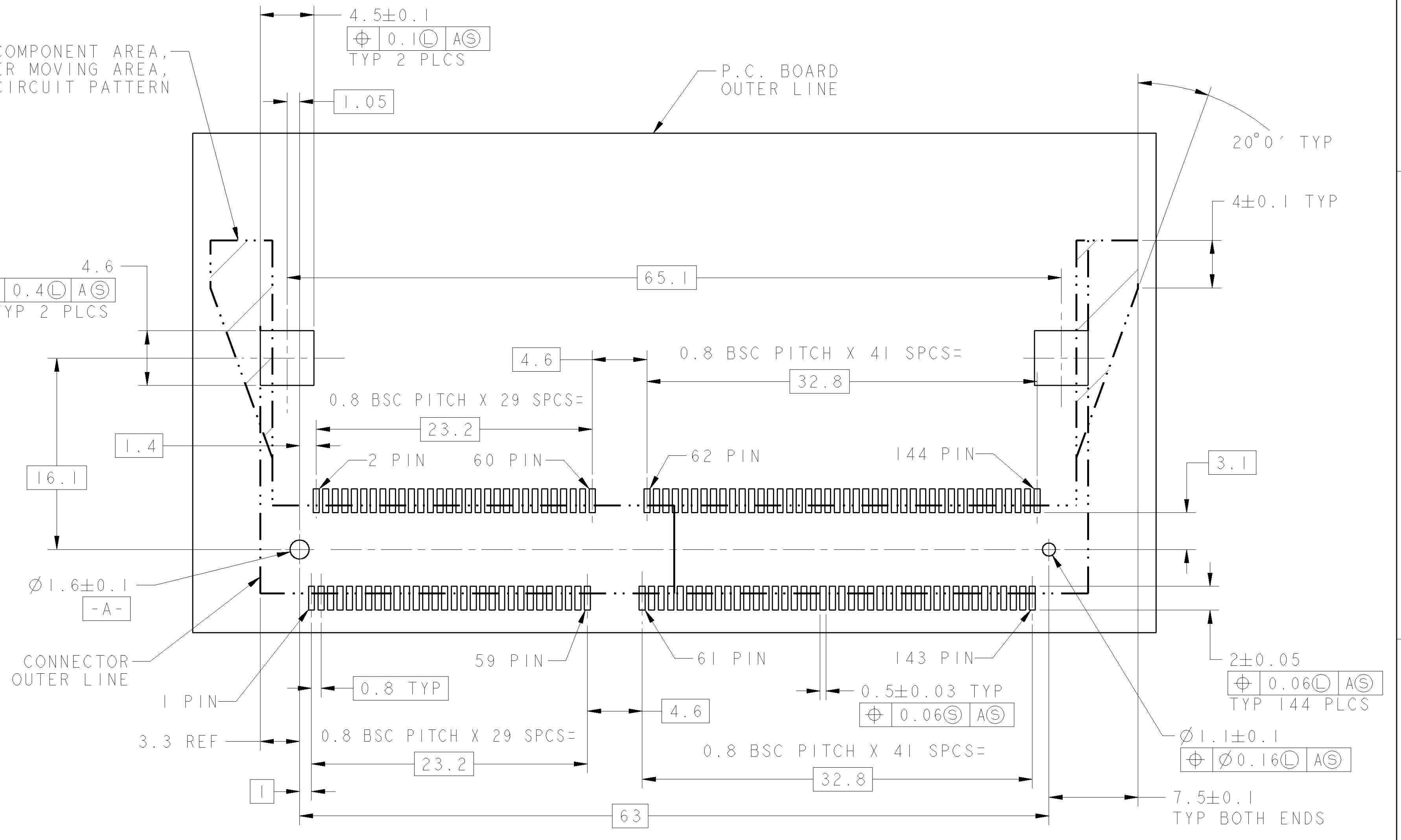


LOC	DIST	REVISIONS			
F	LTR	DESCRIPTION	DATE	DNM	APRD
-	-	SEE SHEET 1	-	-	-



NO COMPONENT AREA, LEVER MOVING AREA, ACCEPT CIRCUIT PATTERN



<small>THIS DRAWING IS A CONTROLLED DOCUMENT FOR AMP INCORPORATED. ALL DIMENSIONS ARE IN MILLIMETERS UNLESS OTHERWISE SPECIFIED. FOR THE LATEST REVISION, CONTACT THE CONTROL DOCUMENTATION DEPARTMENT.</small>		DWN: J. BURWELL 01FEB01 CKD: K. KREIDLER 23JUL99 APD: SE LEONG PRODUCT SPEC: - APPLICATION SPEC: - WEIGHT: - CUSTOMER DRAWING: -	AMP AMP MANUFACTURING (SINGAPORE) PTE. LTD.
DIMENSIONS: mm TOLERANCES UNLESS OTHERWISE SPECIFIED: 0 PLC ± 1 PLC ±0.2 2 PLC ±0.2 3 PLC ±0.2 4 PLC ± ANGLES ±	NAME: 3.0 DIMM SOCKET ASSY., 0.8mm PITCH 144 POS., 8mm PROFILE FOR SDRAM TYPE MODULE SIZE: A1 CAGE CODE: 00779 DRAWING NO: C=390322 SCALE: 4:1 SHEET: 2 OF 2 REV: K		