

THIS DRAWING IS UNPUBLISHED.

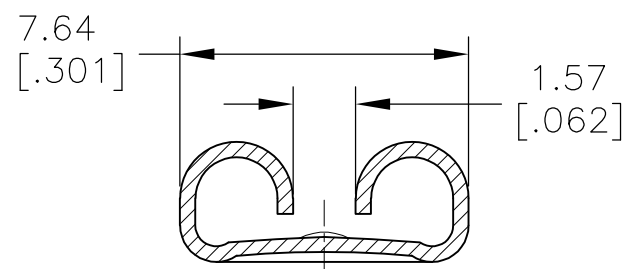
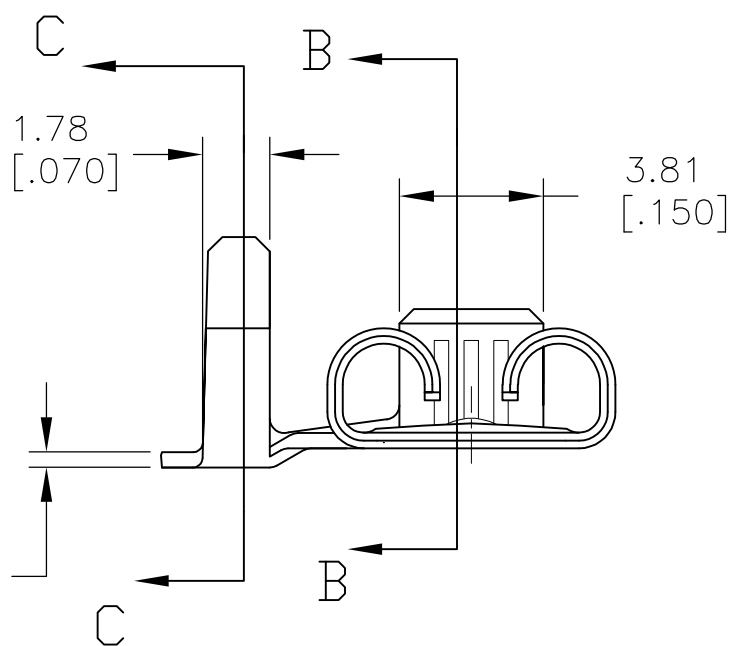
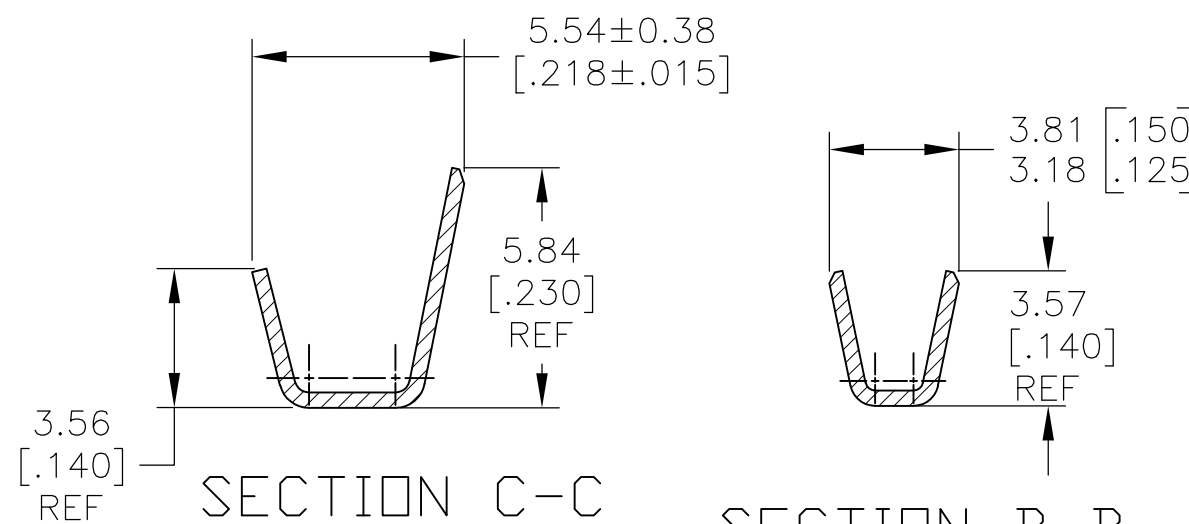
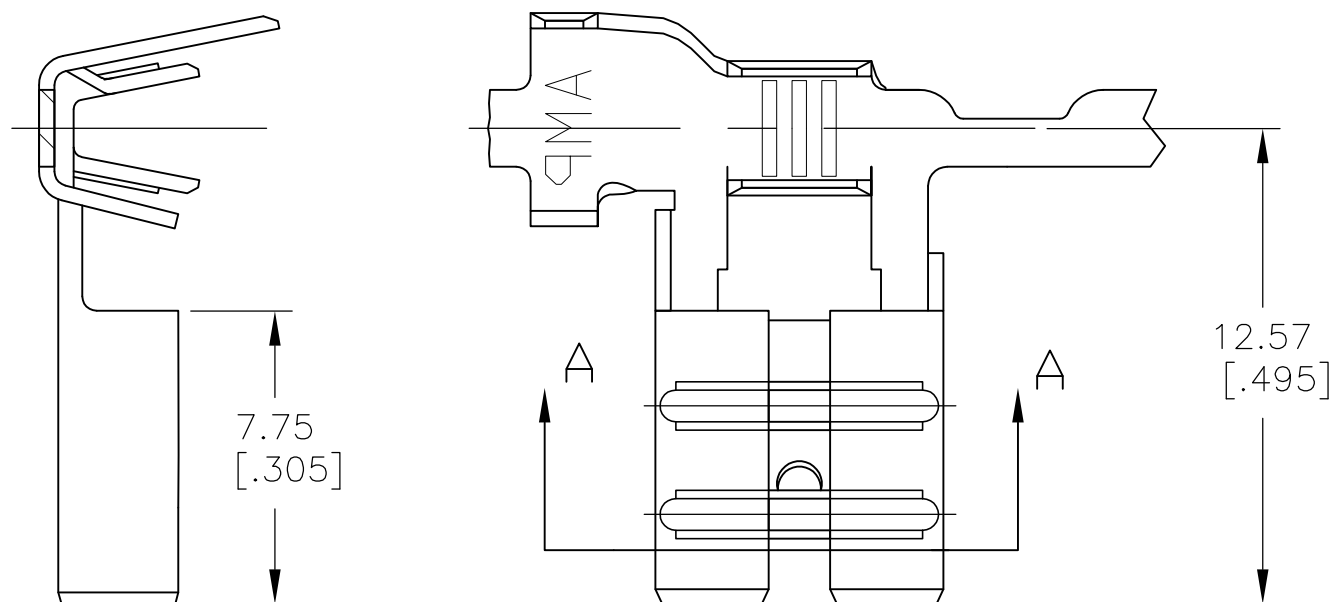
RELEASED FOR PUBLICATION

ALL RIGHTS RESERVED.

© COPYRIGHT - By -

LOC	DIST	REVISIONS					
		P	LTR	DESCRIPTION	DATE	DWN	APVD
-	-	A1		RELEASED PER ECO 13-013005	14AUG13	JR	PD

- CONTINUOUS STRIP ON REELS
- WIRE SIZE #18-#14 AWG
- INSULATION DIA 2.79-4.06 [.110-.160] DIA
- MATING TAB THK IS  $0.81 \pm 0.025$  [.032±.001]
- RECEPTACLE IS DESIGNED TO OPTIMIZE MATING AND UNMATING FORCES ON A TAB WITH A RETENTION HOLE. VALUES MAY VARY ON A TAB WITH A DETENT.



$0.41 \pm 0.025$  [.016±.001]

TIN PLATE	1742999-2
-----	1742999-1
FINISH	PART NO.

THIS DRAWING IS A CONTROLLED DOCUMENT.		DWN	JR RUTH	30NOV2012	<b>STE</b> TE Connectivity		
DIMENSIONS: MM [ INCHES ]		CHK	PETE DESANTIS	30NOV12			
TOLERANCES UNLESS OTHERWISE SPECIFIED:		APVD	PETE DESANTIS	30NOV12	NAME		
0 PLC ± -		PRODUCT SPEC		RECEPTACLE, FLAG FASTON, .250 SERIES			
1 PLC ± -		APPLICATION SPEC		SIZE	CAGE CODE	DRAWING NO	RESTRICTED TO
2 PLC ± -		MATERIAL		A300779		C-1742999	-
3 PLC ± -		FINISH		CUSTOMER DRAWING			
4 PLC ± -		SEE TABLE		SCALE	5:1	SHEET	1 OF 1
ANGLES ± -		MATERIAL		BRASS		REV	A1