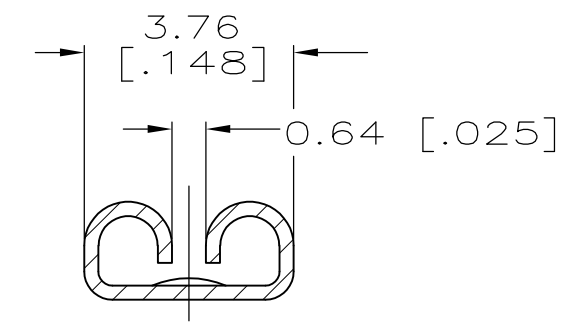
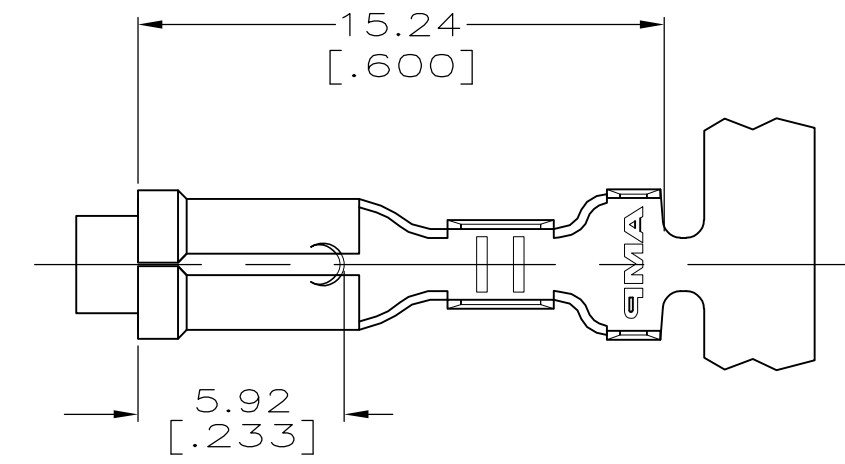
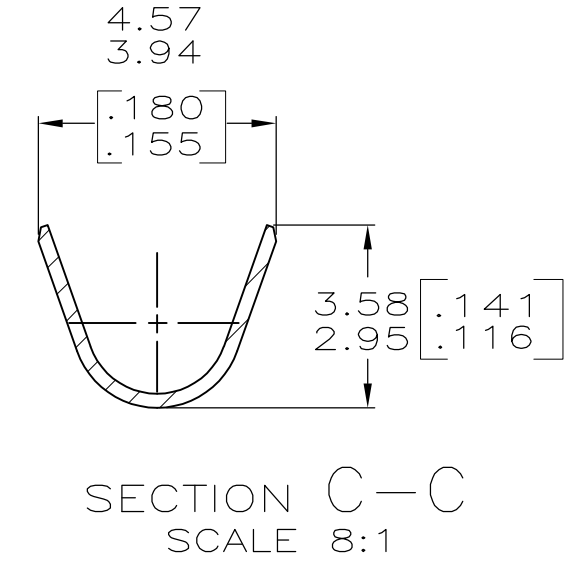
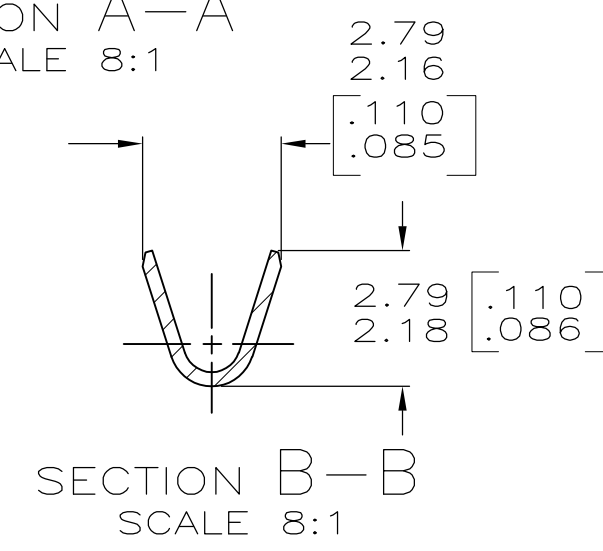
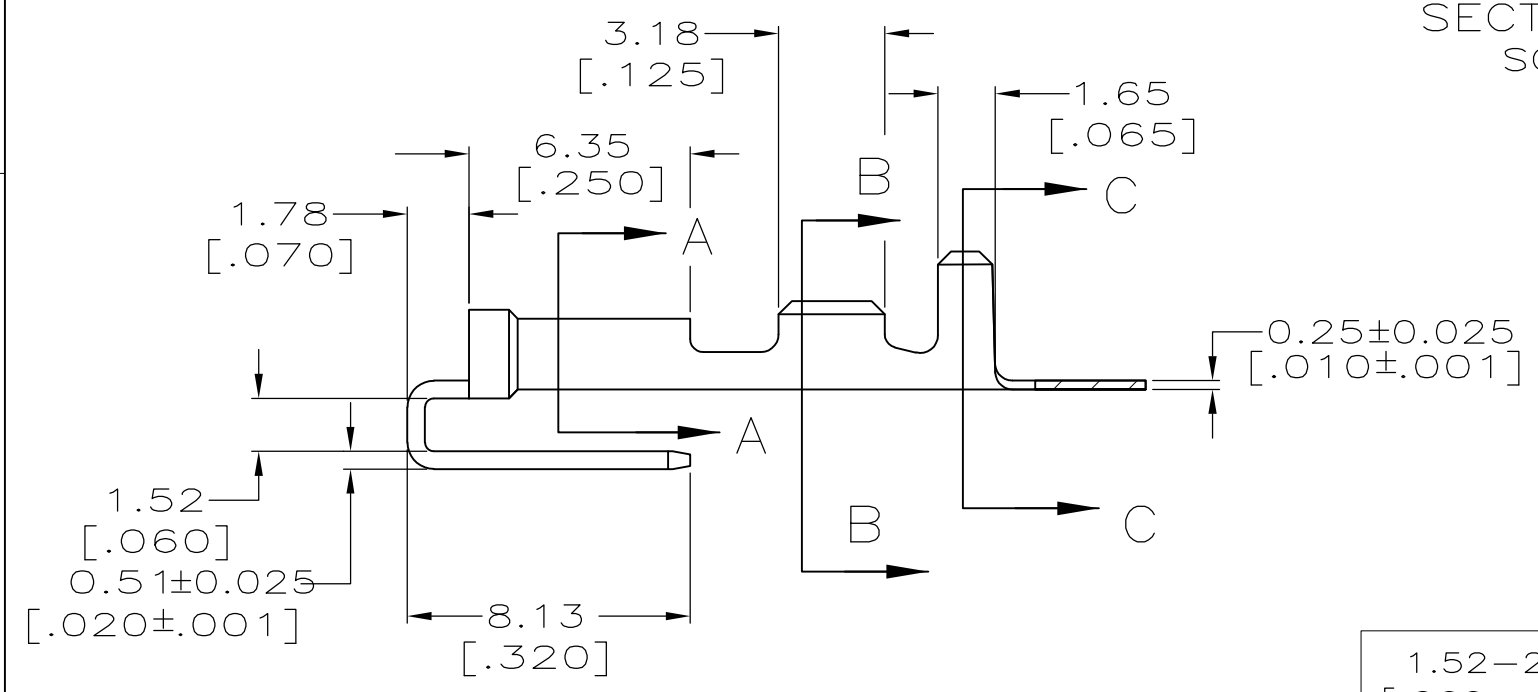


THIS DRAWING IS UNPUBLISHED. RELEASED FOR PUBLICATION -,-
 © COPYRIGHT - By - ALL RIGHTS RESERVED.

LOC		DIST		REVISIONS					
AF		50		P	LTR	DESCRIPTION	DATE	DWN	APVD
					E1	REVISED PER ECO-11-004917	11MAR11	RK	HMR



1 CONTINUOUS STRIP ON REELS.
 2 TIN PLATE 0.002032 [.000080] MIN THK.



1.52-2.54 DIA [.060-.100] DIA	[#22-#18] AWG	0.508±0.025 [.020±.001]	TIN 2	62003-2
INSULATION RANGE	WIRE SIZE	MATING TAB THICKNESS	FINISH	PART NO

THIS DRAWING IS A CONTROLLED DOCUMENT.		DWN JR RUTH 5/16/95	TE Connectivity	
DIMENSIONS: MM[INCHES]		CHK MS FEHER 5/16/95		
TOLERANCES UNLESS OTHERWISE SPECIFIED:		APVD P DESANTIS 5/16/95	NAME RECEPTACLE, FASTON, PIGGYBACK, 2.79 [.110] SERIES	
0 PLC ± - 1 PLC ± - 2 PLC ± 0.38 [.015] 3 PLC ± - 4 PLC ± - ANGLES ± -		PRODUCT SPEC -	RESTRICTED TO -	
MATERIAL H04 BRASS		FINISH SEE TABLE	APPLICATION SPEC -	WEIGHT -
THIS DRAWING IS A CONTROLLED DOCUMENT FOR AMP INCORPORATED. IT IS SUBJECT TO CHANGE AND THE CONTROLLING ENGINEERING ORGANIZATION SHOULD BE CONTACTED FOR THE LATEST REVISION.		SIZE A3		CAGE CODE 00779
		DRAWING NO C-62003		RESTRICTED TO -
		CUSTOMER DRAWING		SCALE 5:1
		SHEET 1 OF 1		REV E1