

IC120 Series (Open Top)

Plastic Lead Chip Carrier (PLCC)

Specifications

Insulation Resistance: 1,000MΩ min. at 500V DC
 Dielectric Withstanding Voltage: 700V AC for 1 minute
 Contact Resistance: 30mΩ max. at 10mA/20mV max.
 Current Rating: 1A max.
 Operating Temperature Range: -40°C to +170°C
 Mating Cycles: 10,000 insertions min.

Materials and Finish

Housing: Upper body - Polyphenylenesulfide (PPS)
 Lower body - Polyetherimide (PEI), glass-filled
 Contacts: Beryllium Copper (BeCu)
 Plating: Gold over Nickel

Features

- Two-point contacts and a larger contact width ensures high reliability
- Auto-ejecting type for automated operation (IC is inserted in "one touch" operation and pushing the cover raises it for easy IC removal)
- Available for two types of IC orientation (Live-bug & Dead-bug)

Part Number (Details)

IC120 - 084 4 - 1 02 MF

Series No.

No. of Contact Pins

Number of Sides with Contacts

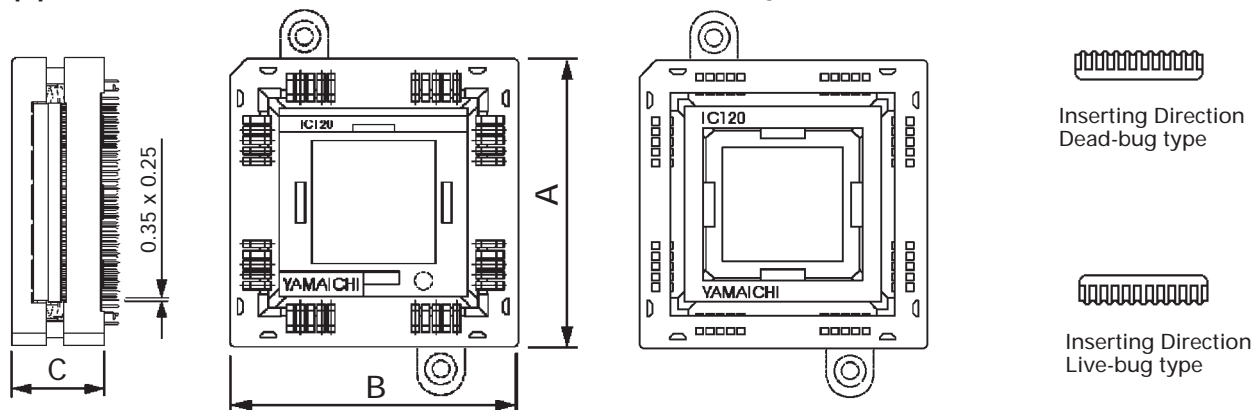
Terminal Arrangement and IC Orientation (see table below)

Design Number

MF = Flanged
 Unmarked = Not Flanged

Note:
 Mounting Flange is not available for 18 pins, 22 pins and IC120-0684-304

Applicable Socket Dimensions (Reference Only)



Part Number	Pin Count	Inserting Direction of IC	Socket Dimensions		
			A	B	C
*IC120-0184-002	18	Dead-bug	17.0	21.5	18.0
*IC120-0184-102	18	Live-bug	17.0	21.5	19.3
IC120-0184-202	18	Dead-bug	17.0	21.5	18.0
IC120-0184-302	18	Live-bug	17.0	21.5	19.3
IC120-0204-005	20	Dead-bug	20.0	20.0	18.0
*IC120-0204-205	20	Dead-bug	20.0	20.0	18.0
IC120-0204-405	20	Dead-bug	20.0	20.0	18.0
*IC120-0224-001	22	Dead-bug	17.0	21.5	18.0
*IC120-0224-101	22	Live-bug	17.0	21.5	19.3
IC120-0224-201	22	Dead-bug	17.0	21.5	18.0
IC120-0224-301	22	Live-bug	17.0	21.5	19.3
IC120-0284-008	28	Dead-bug	23.0	23.0	18.0
IC120-0284-108	28	Live-bug	23.0	23.0	19.3
*IC120-0284-208	28	Dead-bug	23.0	23.0	18.0
*IC120-0284-308	28	Live-bug	23.0	23.0	19.3
IC120-0284-408	28	Dead-bug	23.0	23.0	18.0
*IC120-0284-508	28	Live-bug	23.0	23.0	19.3
IC120-0324-009	32	Dead-bug	22.5	25.0	18.0
IC120-0324-109	32	Live-bug	22.5	25.0	19.3
*IC120-0324-209	32	Dead-bug	22.5	25.0	18.0
*IC120-0324-309	32	Live-bug	22.5	25.0	19.3
IC120-0324-409	32	Dead-bug	22.5	25.0	18.0
IC120-0324-509	32	Live-bug	22.5	25.0	19.3

* Most compatible socket type (3 different PCB-layout options available)

IC120 - Open Top

Plastic Lead Chip Carrier (PLCC)

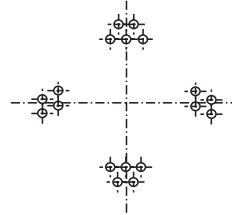
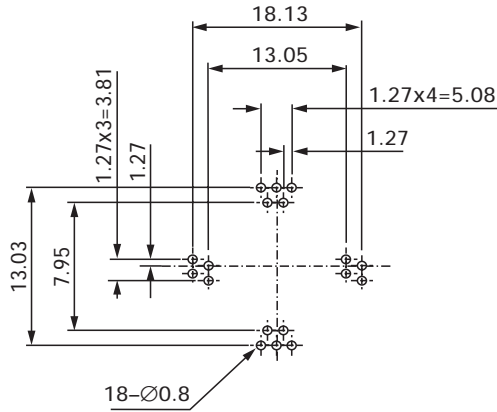
Recommended PCB Layouts (18 to 22 pins)

Top view from socket

18 pins

IC120-0184-002
IC120-0184-102

IC120-0184-202
IC120-0184-302

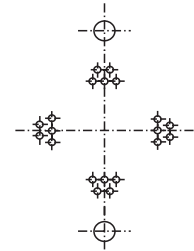
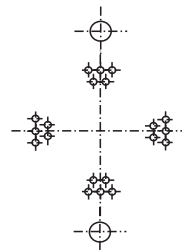
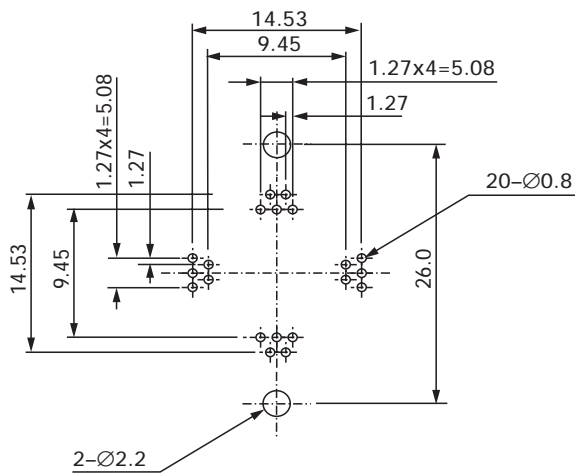


20 pins

IC120-0204-005

IC120-0204-205

IC120-0204-405

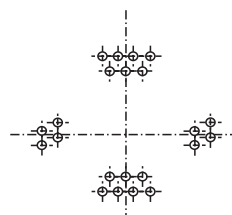
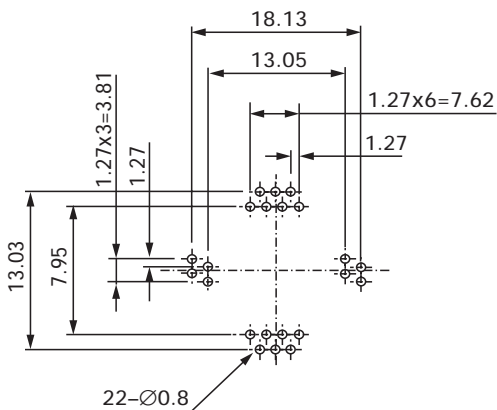


Most compatible socket type

22 pins

IC120-0224-001
IC120-0224-101

IC120-0224-201
IC120-0224-301



IC120 - Open Top

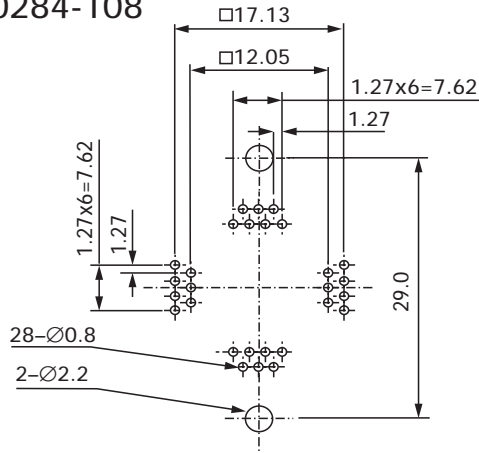
Plastic Lead Chip Carrier (PLCC)

Recommended PCB Layouts (28 to 32 pins)

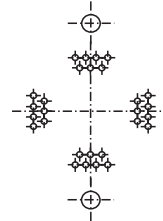
Top view from socket

28 pins

IC120-0284-008
IC120-0284-108

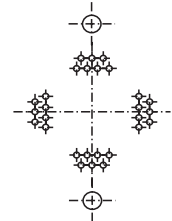


IC120-0284-208
IC120-0284-308



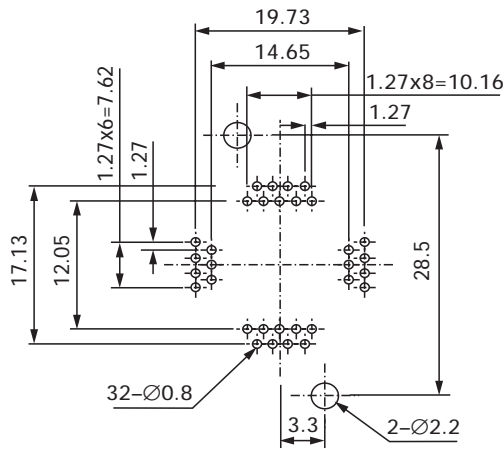
Most compatible socket type

IC120-0284-408
IC120-0284-508

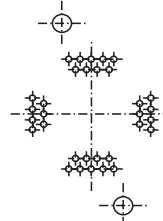


32 pins

IC120-0324-009
IC120-0324-109



IC120-0324-209
IC120-0324-309



Most compatible socket type

IC120-0324-409
IC120-0324-509

