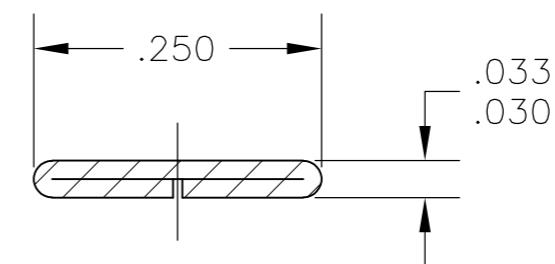
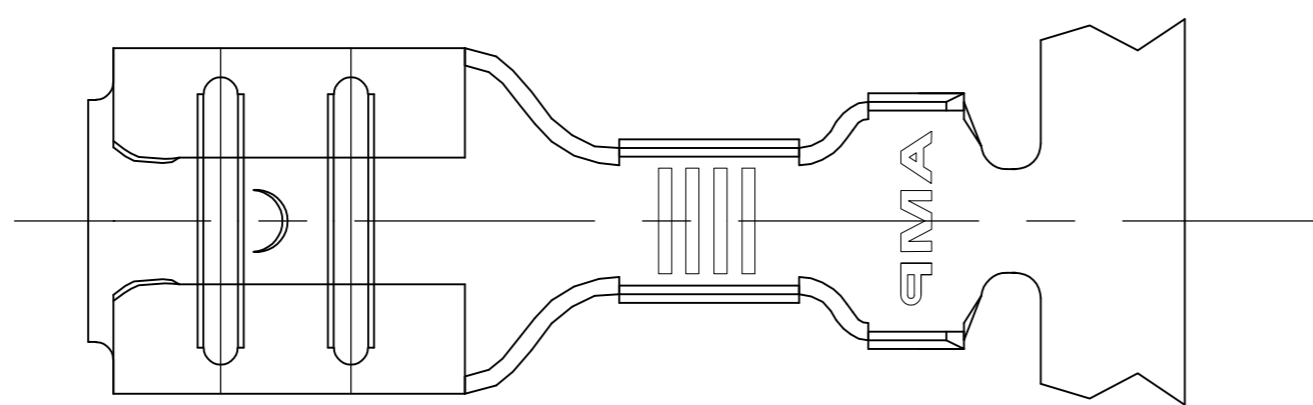


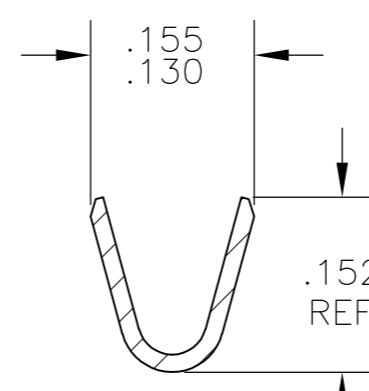
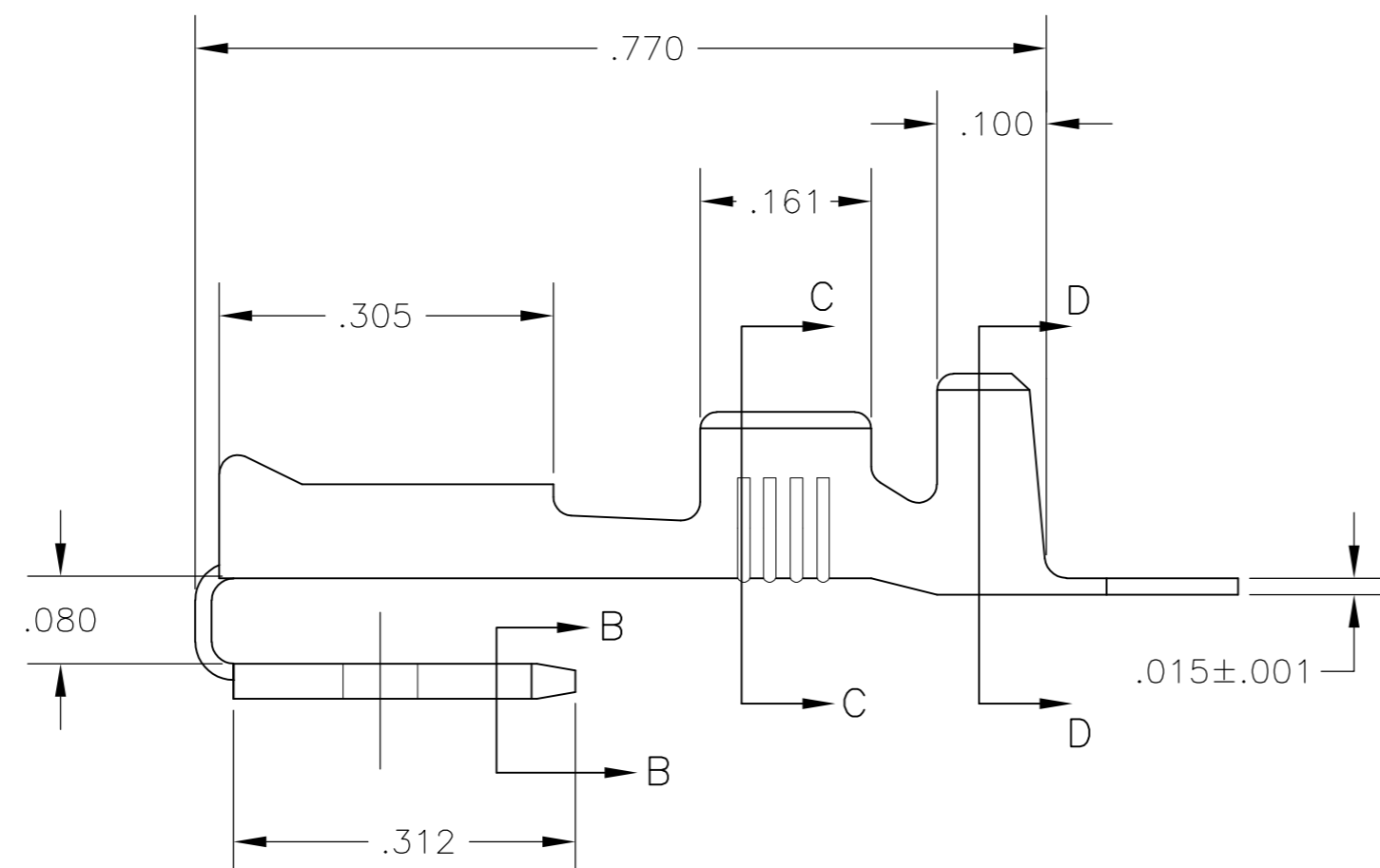
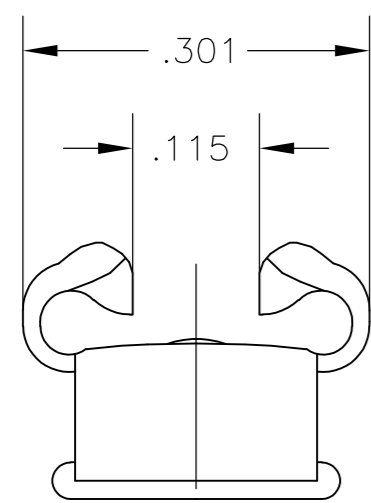
THIS DRAWING IS UNPUBLISHED. RELEASED FOR PUBLICATION  
 © COPYRIGHT BY TYCO ELECTRONICS CORPORATION. ALL RIGHTS RESERVED.

LOC	DIST	REVISIONS			
P	LTR	DESCRIPTION	DATE	DWN	APVD
AF	50	R2	REVISED PER ECR-07-027728	27FEB08	HMR PD

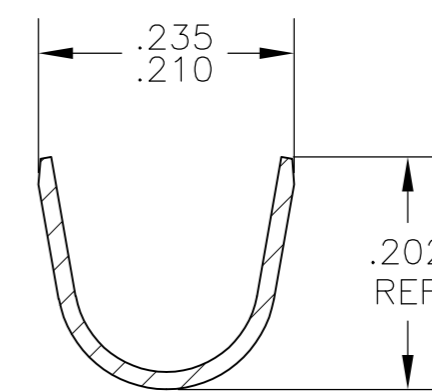
- 1 CONTINUOUS STRIP ON REELS
- 2 MATING TAB THK IS  $.032 \pm .001$ .
- 3 WIRE SIZE IS #18-#14 AWG
- 4 INSULATION RANGE IS  $.120-.170$  DIA.



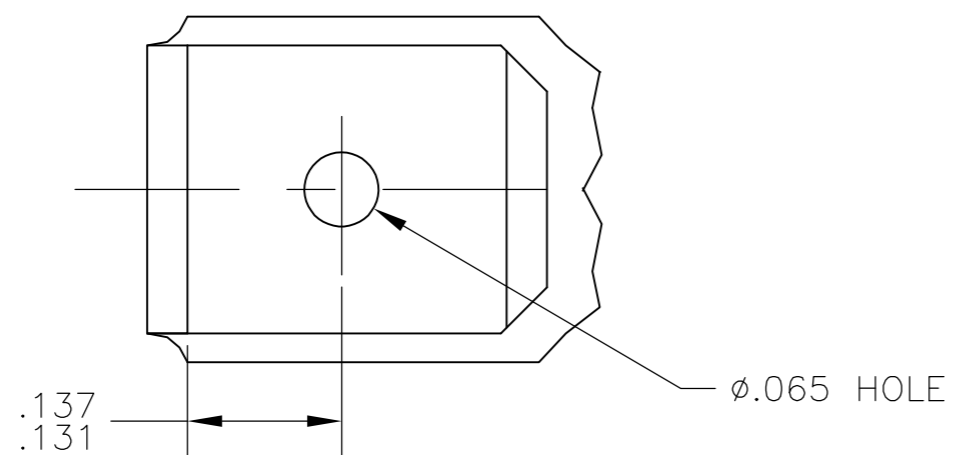
SECTION B-B



SECTION C-C



SECTION D-D



- OBSOLETE	SILVER PLATE	61944-4
- OBSOLETE	PRE TIN PLATE	61944-3
	TIN PLATE	61944-2
	-	61944-1
	FINISH	PART NO.

THIS DRAWING IS A CONTROLLED DOCUMENT.		DWN	JR RUTH	26JUL2002	Tyco Electronics Corporation Harrisburg, PA 17105-3608																		
DIMENSIONS: INCHES		CHK	P DESANTIS	26JUL02																			
TOLERANCES UNLESS OTHERWISE SPECIFIED:		APVD	P DESANTIS	26JUL02																			
<table border="1"> <tr><td>0 PLC</td><td>±</td><td>-</td></tr> <tr><td>1 PLC</td><td>±</td><td>-</td></tr> <tr><td>2 PLC</td><td>±</td><td>-</td></tr> <tr><td>3 PLC</td><td>±</td><td>.015</td></tr> <tr><td>4 PLC</td><td>±</td><td>-</td></tr> <tr><td>ANGLES</td><td>±</td><td>-</td></tr> </table>		0 PLC	±	-		1 PLC	±	-	2 PLC	±	-	3 PLC	±	.015	4 PLC	±	-	ANGLES	±	-	PRODUCT SPEC	NAME	
0 PLC	±	-																					
1 PLC	±	-																					
2 PLC	±	-																					
3 PLC	±	.015																					
4 PLC	±	-																					
ANGLES	±	-																					
MATERIAL	H04 BRASS	FINISH	SEE TABLE	APPLICATION SPEC	114-2082																		
WEIGHT		-		SIZE	A2																		
CUSTOMER DRAWING		SCALE	6:1	CAGE CODE	00779																		
DRAWING NO		61944		DRAWING NO	61944																		
SHEET		1 of 1		RESTRICTED TO	-																		
REV		R2																					