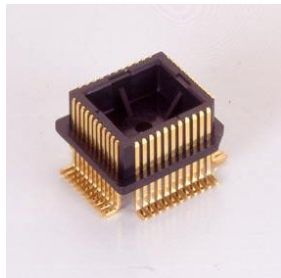
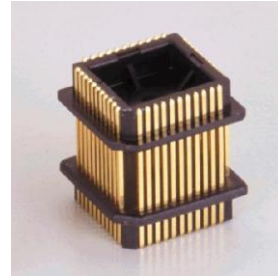


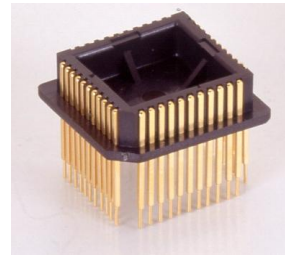
WINSLOW ADAPTICs

Double Ended PLCC Plug



Surface Mount (Large Outline)

Thru Board PLCC Plug



Surface Mount (Large Outline)

**Please note that the insulator was historically manufactured from Questra.
This material is now obsolete and will be phased out once stock is depleted.**

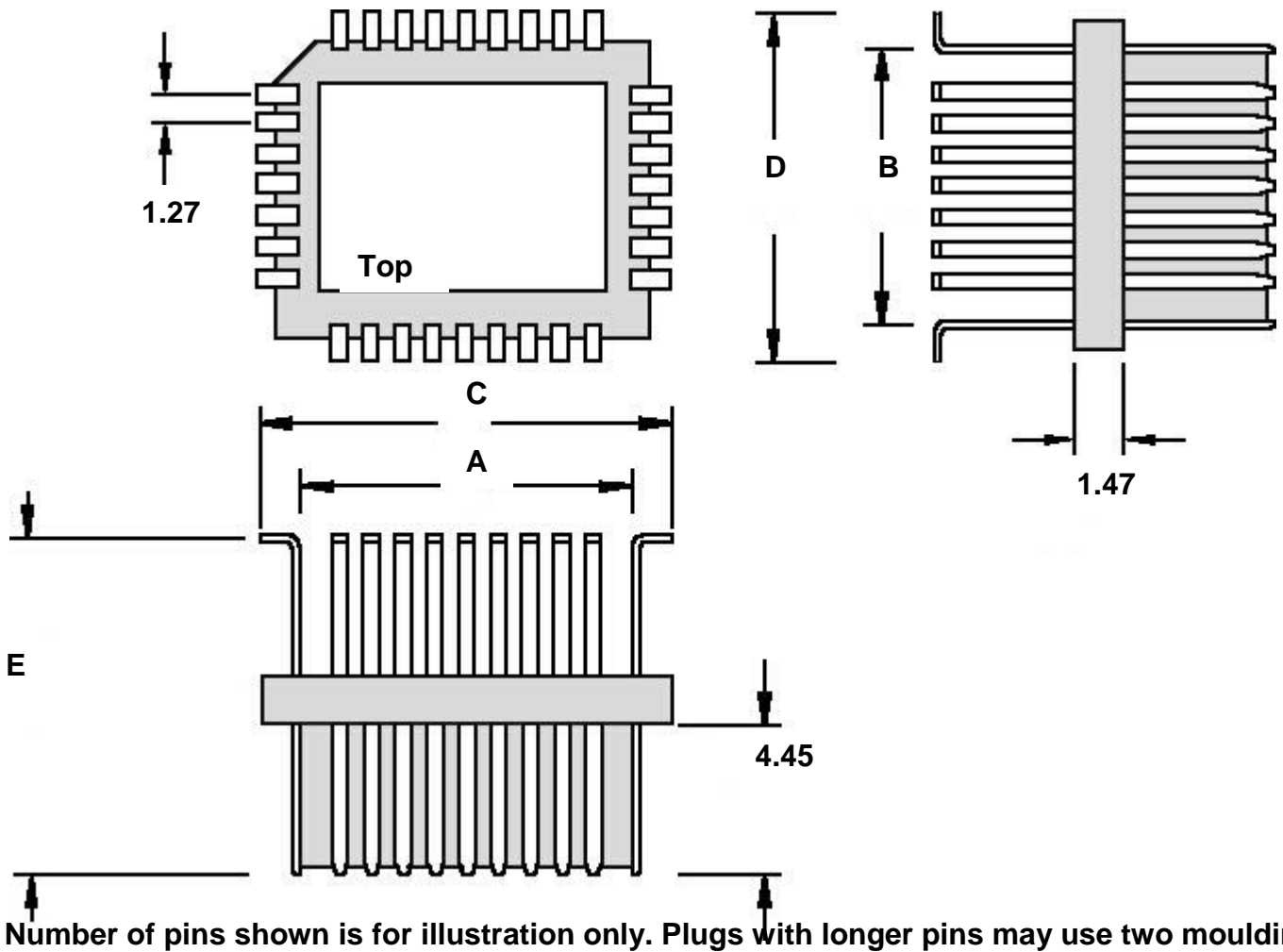
**The new insulator will be manufactured from Stanyl which is a higher grade plastic,
suitable for RoHS compliant reflow temperatures.**

The colour will change from black (Questra) to Natural (Stanyl)

Please contact the nearest Winslow Adaptics sales office for more information.

WINSLOW ADAPTICs

Large Footprint Surface-Mount Plugs



Adapter Dimension Table

| RS Part Number | Part Number | PLCC Pins | A | C | D | B |
|----------------|-------------|-----------|-------|------|------|-------|
| 4350602 | W9322 | 20 | 8.7 | 15 | 15 | 8.7 |
| 4350668 | W9323 | 28 | 11.15 | 17.4 | 17.4 | 11.15 |
| 4350618 | W9324 | 32 | 13.6 | 19.9 | 17.4 | 11.02 |
| 4350624 | W9325 | 44 | 16.4 | 22.5 | 22.5 | 16.4 |
| 4350630 | W9326 | 52 | 18.9 | 25.1 | 25.1 | 18.9 |
| 4350646 | W9327 | 68 | 23.9 | 30.1 | 30.1 | 23.9 |
| 4350652 | W9328 | 84 | 28.9 | 35.2 | 35.2 | 28.9 |

Pin Variations

| Suffix denoting Pin Length | E |
|----------------------------|-------------|
| -ZC138 | 10.2 |
| -ZC158 | 9.3 |
| -ZC160 | 7.2 |
| NO SUFFIX | 15.5 |

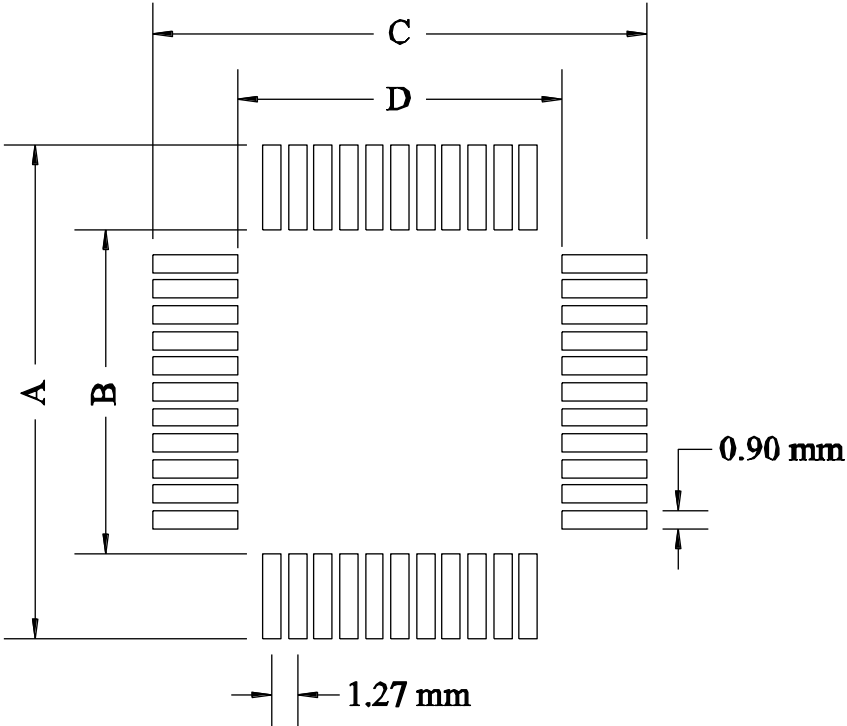
Example: For W9322-ZC158, E is 9.3mm

All dimensions in mm, and subject to change without notice.

If pin variations not available through RS Components; please contact your nearest Winslow Sales office direct.

WINSLOW ADAPTICs

Surface mount PLCC Plug (Large Outline) recommended pad layouts

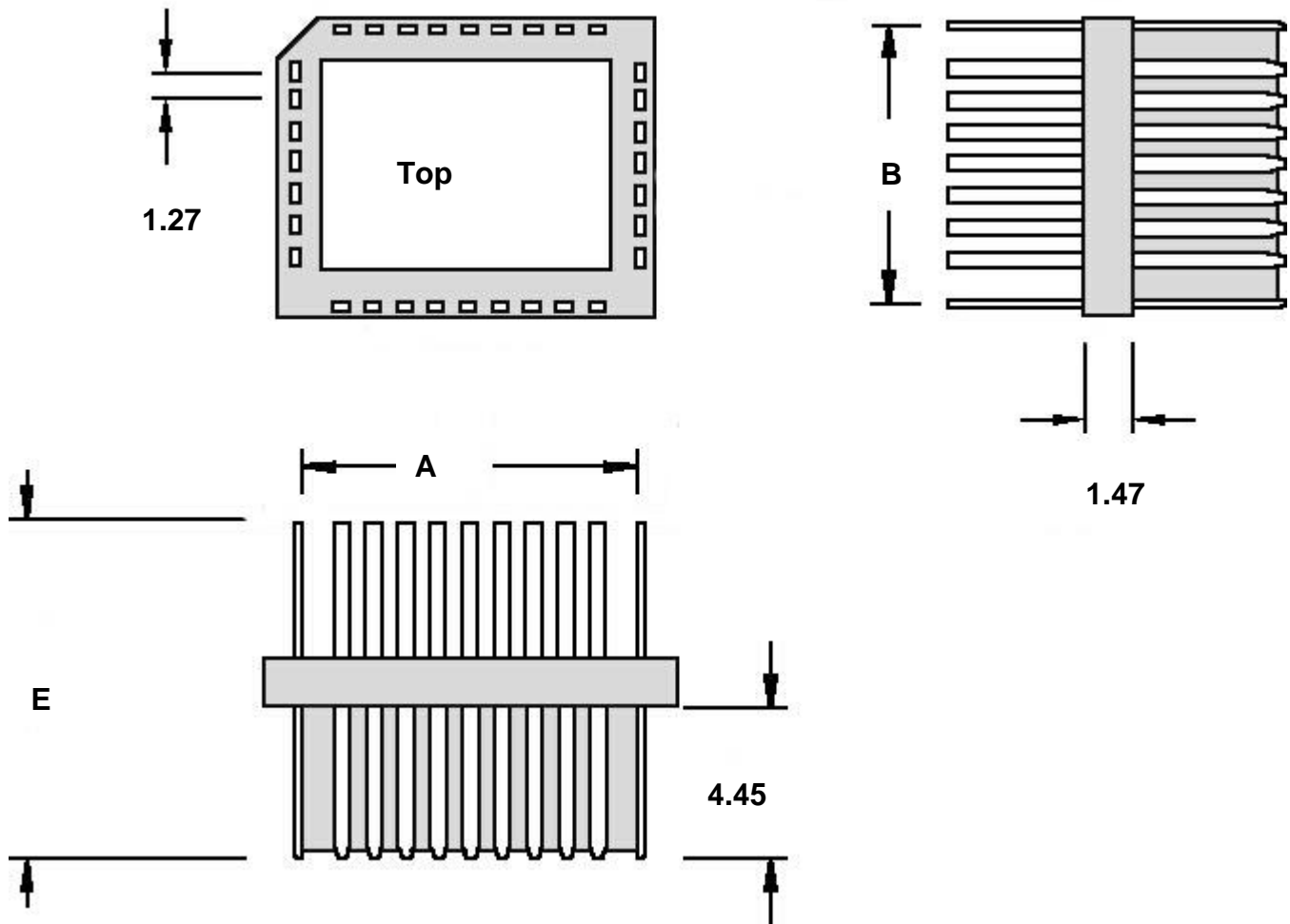


| Part Number | A | B | C | D |
|-------------|------|------|------|------|
| W9322 | 16.3 | 7.2 | 16.3 | 7.2 |
| W9323 | 18.8 | 9.7 | 18.8 | 9.7 |
| W9324 | 18.8 | 9.7 | 21.3 | 12.2 |
| W9325 | 23.9 | 14.8 | 23.9 | 14.8 |
| W9326 | 26.4 | 17.3 | 26.4 | 17.3 |
| W9327 | 31.5 | 22.4 | 31.5 | 22.4 |
| W9328 | 36.6 | 27.5 | 36.6 | 27.5 |

**All dimensions in millimeters unless otherwise specified
All information may be subject to change without prior notice**

WINSLOW ADAPTICs

Small Footprint Surface-Mount Plugs



Number of pins shown is for illustration only. Plugs with longer pins may use two mouldings.

Adapter Dimension Table

| RS Part Number | Part Number | PLCC Pins | A | B |
|----------------|-------------|-----------|-------|-------|
| | W9379 | 20 | 8.7 | 8.7 |
| | W9380 | 28 | 11.15 | 11.15 |
| | W9381 | 32 | 13.6 | 11.02 |
| | W9382 | 44 | 16.4 | 16.4 |
| | W9383 | 52 | 18.9 | 18.9 |
| | W9384 | 68 | 23.9 | 23.9 |
| | W9385 | 84 | 28.9 | 28.9 |

Pin Variations

| Suffix denoting Pin Length | E |
|----------------------------|-------------|
| -ZC174 | 8.3 |
| -ZC170 | 21.6 |
| NO SUFFIX | 15.8 |

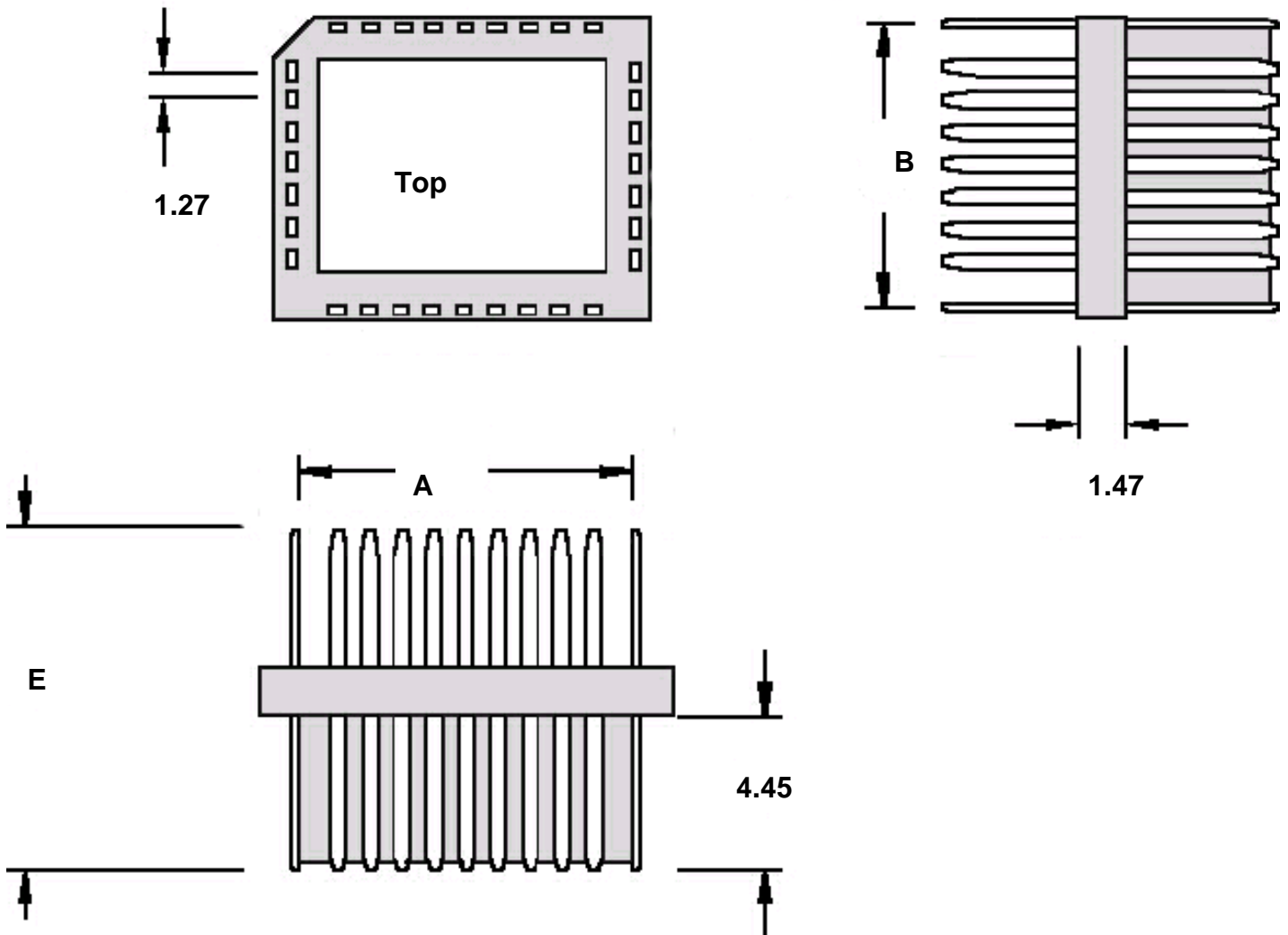
Example: For W9379-ZC174, E is 8.3mm

All dimensions in mm, and subject to change without notice.

If pin variations not available through RS Components; please contact your nearest Winslow Sales office direct.

WINSLOW ADAPTICs

Butt-Jointing Surface-Mount Plugs



Number of pins shown is for illustration only. Plugs with longer pins may use two mouldings.

Adapter Dimension Table

| RS Part Number | Part Number | PLCC Pins | A | B |
|----------------|-------------|-----------|-------|-------|
| | W9190 | 20 | 8.7 | 8.7 |
| | W9191 | 28 | 11.15 | 11.15 |
| | W9192 | 32 | 13.6 | 11.02 |
| | W9193 | 44 | 16.4 | 16.4 |
| | W9194 | 52 | 18.9 | 18.9 |
| | W9195 | 68 | 23.9 | 23.9 |
| | W9196 | 84 | 28.9 | 28.9 |

Pin Variations

| Suffix denoting Pin Length | E |
|----------------------------|-------------|
| -ZC156 | 10.8 |
| -ZC155 | 15.2 |
| -ZC163 | 21.6 |
| -ZC157 | 29.2 |
| NO SUFFIX | 16.5 |

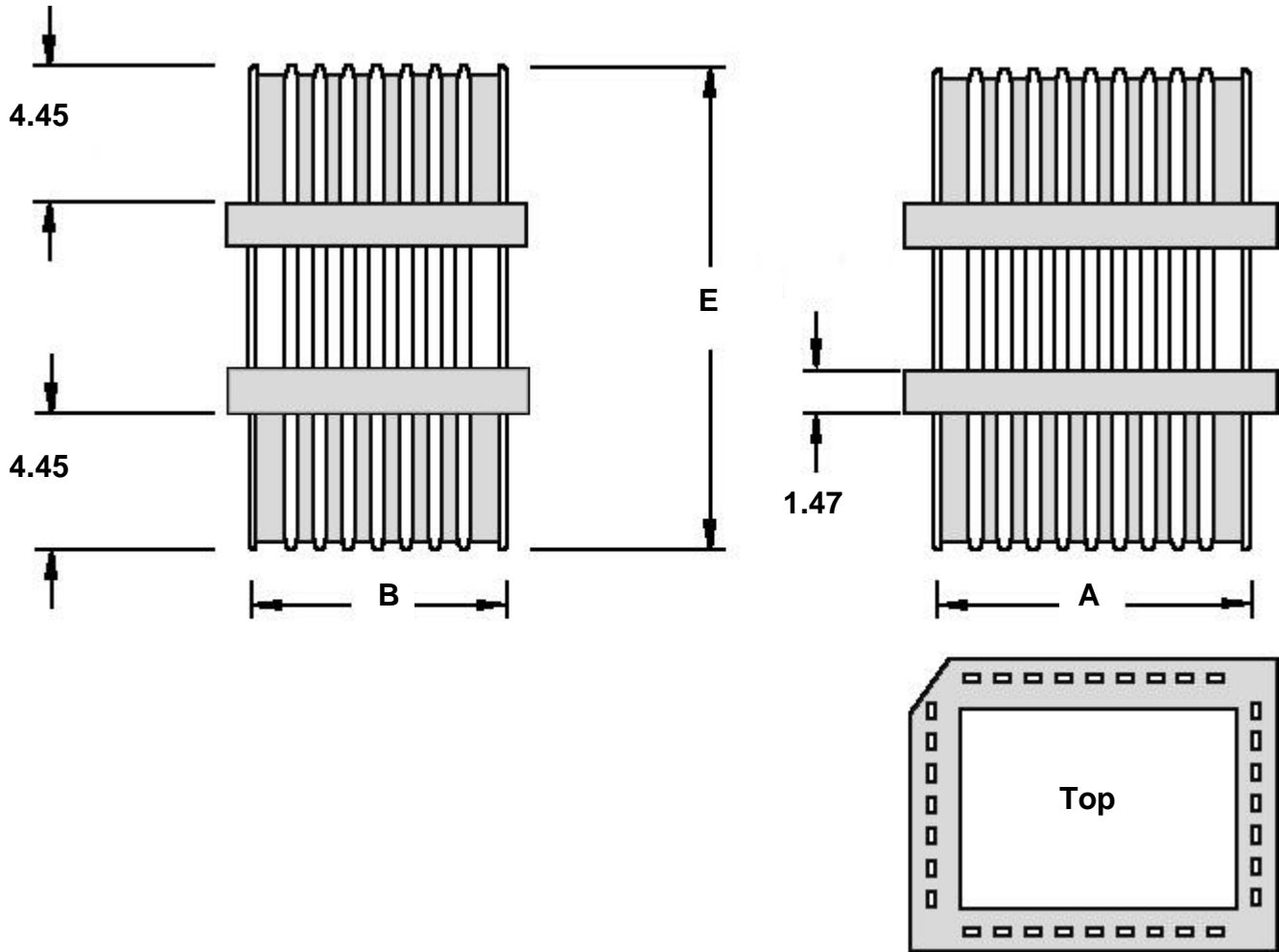
Example: For W9190-ZC155, E is 15.2mm

All dimensions in mm, and subject to change without notice.

If pin variations not available through RS Components; please contact your nearest Winslow Sales office direct.

WINSLOW ADAPTICs

Double-Ended Plugs



Number of pins shown is for illustration only. Plugs with longer pins may use two mouldings.

Dimension Table

| RS Part Number | Part Number | PLCC Pins | A | B |
|----------------|-------------|-----------|-------|-------|
| | W9314 | 20 | 8.7 | 8.7 |
| | W9315 | 28 | 11.15 | 11.15 |
| | W9316 | 32 | 13.6 | 11.02 |
| | W9317 | 44 | 16.4 | 16.4 |
| | W9318 | 52 | 18.9 | 18.9 |
| | W9319 | 68 | 23.9 | 23.9 |
| | W9320 | 84 | 28.9 | 28.9 |

Pin Variations

| Suffix denoting Pin Length. | E |
|-----------------------------|-------------|
| -ZC154 | 16.5 |
| -ZC155 | 15.2 |
| -ZC156 | 10.8 |
| -ZC157 | 29.2 |
| -ZC162 | 21 |
| NO SUFFIX | 21.6 |

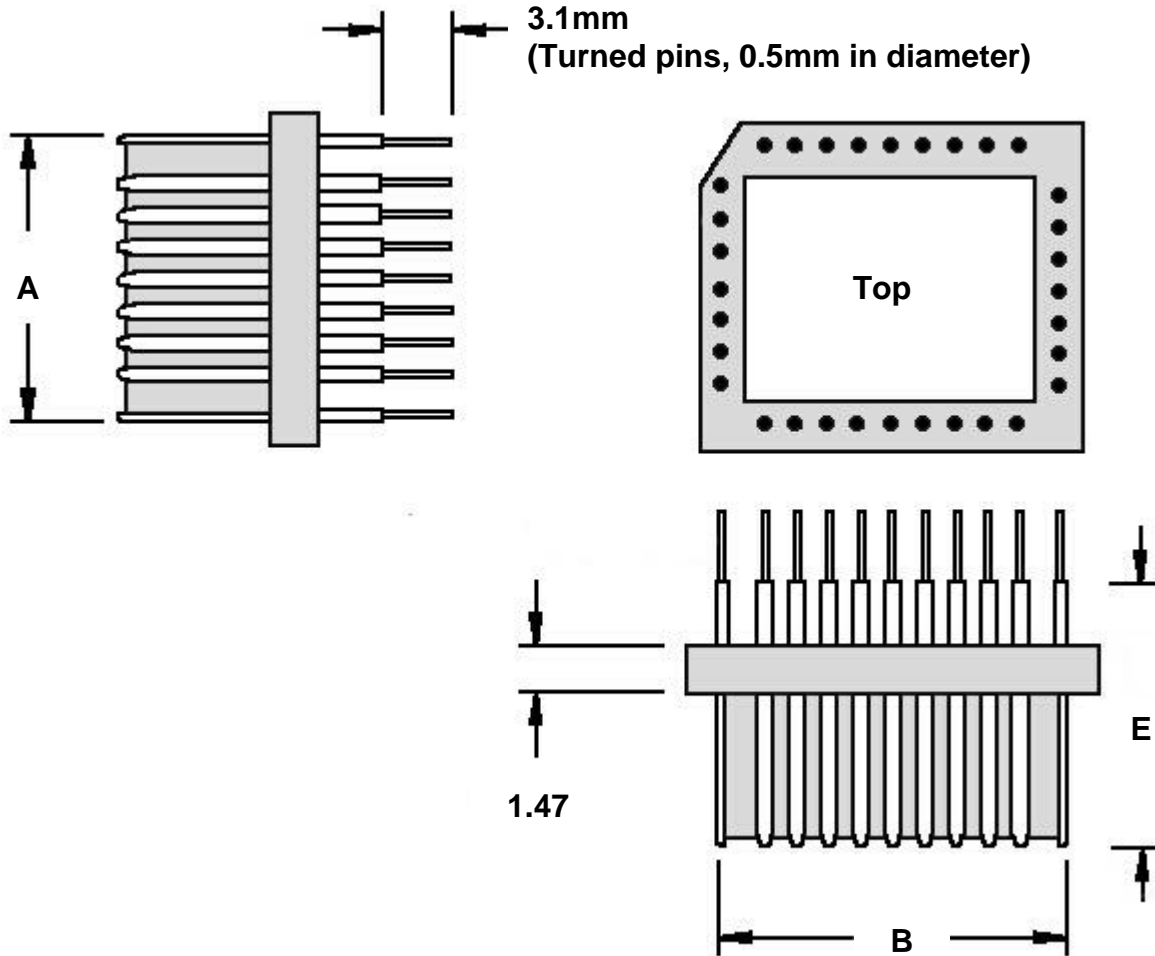
Example: For W9314-ZC162, E has a length of 21mm

All dimensions in mm, and subject to change without notice.

If pin variations not available through RS Components; please contact your nearest Winslow Sales office direct.

WINSLOW ADAPTICs

Through-Board Plug



Number of pins shown is for illustration only. Plugs with longer pins may use two mouldings.

Dimension Table

| RS Part Number | Part Number | PLCC Pins | A | B |
|----------------|-------------|-----------|-------|-------|
| 2446868 | W9300 | 20 | 8.7 | 8.7 |
| | W9301 | 28 | 11.15 | 11.15 |
| 2446880 | W9302 | 32 | 13.6 | 11.02 |
| 2446896 | W9303 | 44 | 16.4 | 16.4 |
| 2446903 | W9304 | 52 | 18.9 | 18.9 |
| 2446919 | W9305 | 68 | 23.9 | 23.9 |
| 2446925 | W9306 | 84 | 29.5 | 29.5 |

Pin Variations

| Suffix denoting Pin Length. | E |
|-----------------------------|-------------|
| - ZC168 | 6.8 |
| - ZC185 | 8.3 |
| - ZC187 | 9.6 |
| - ZC189 | 15.5 |
| NO SUFFIX | 11.7 |

Example: For W9300-ZC168, E has a length of 6.8mm

All dimensions in mm, and subject to change without notice.

If pin variations not available through RS Components; please contact your nearest Winslow Sales office direct.