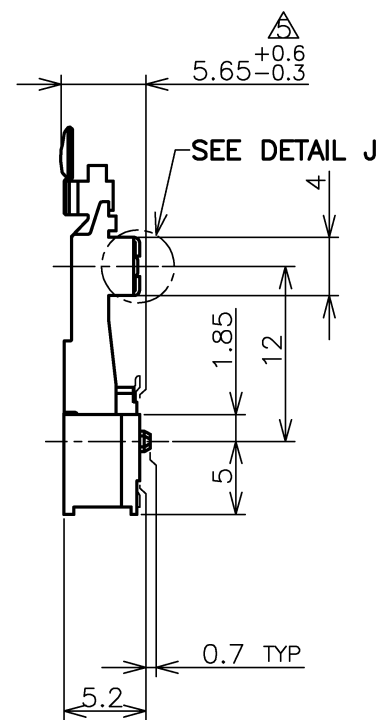
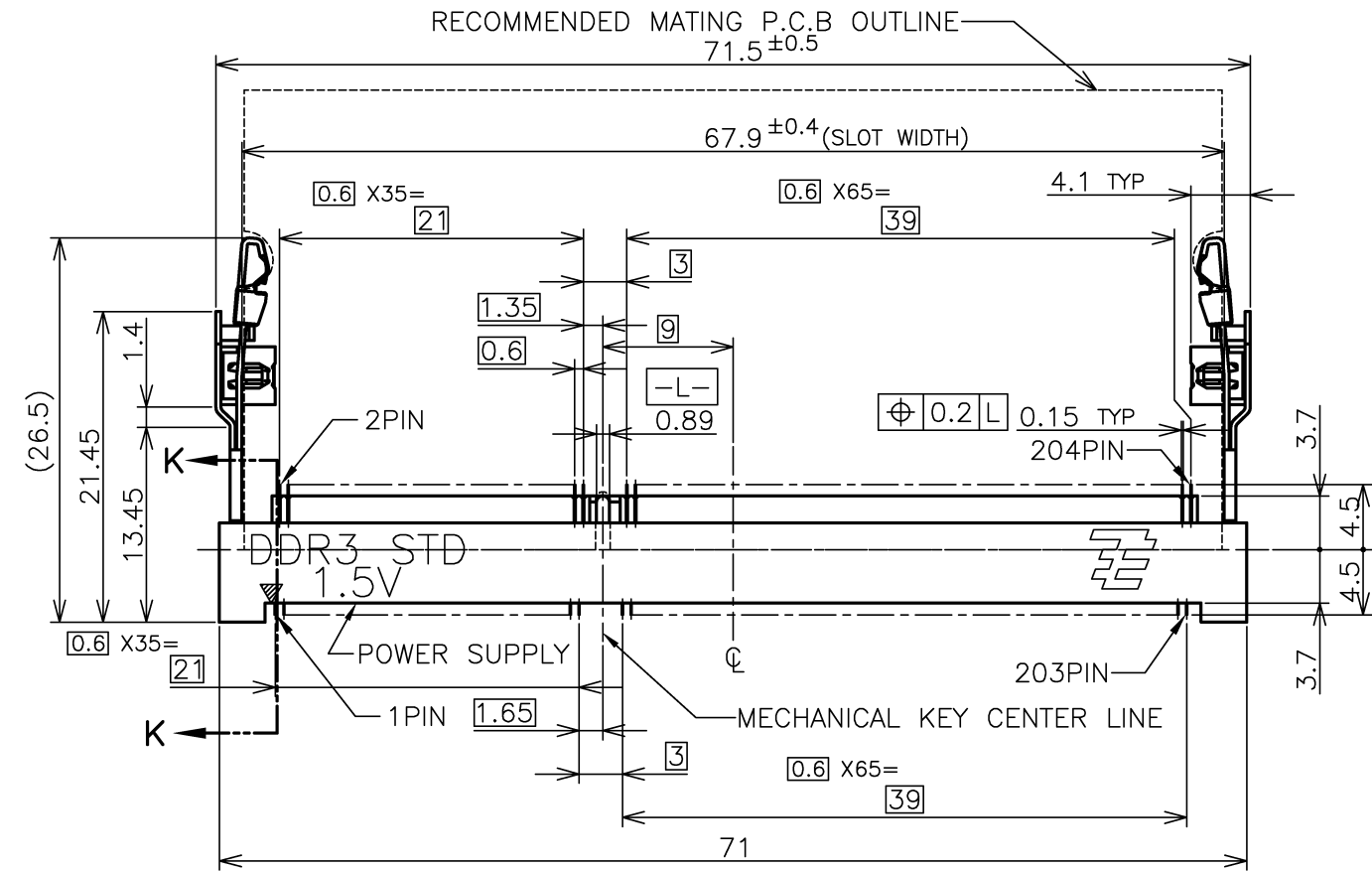
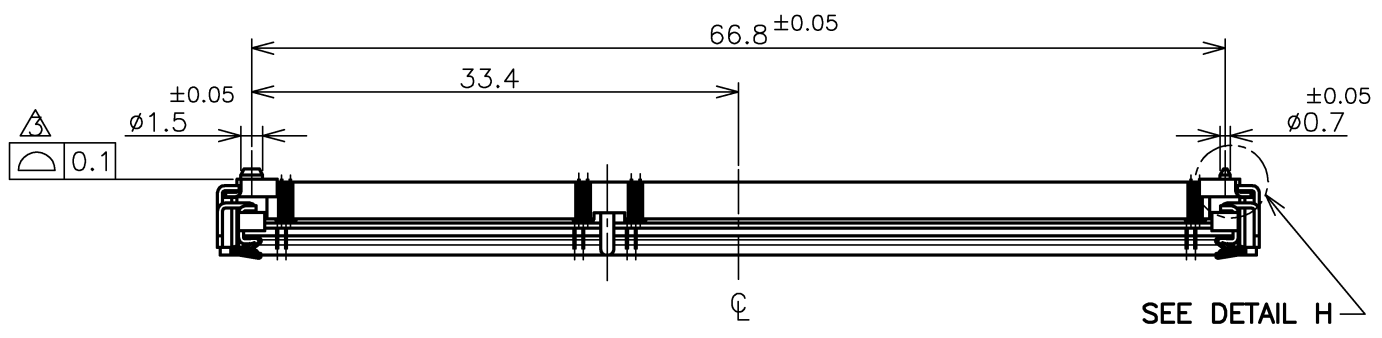
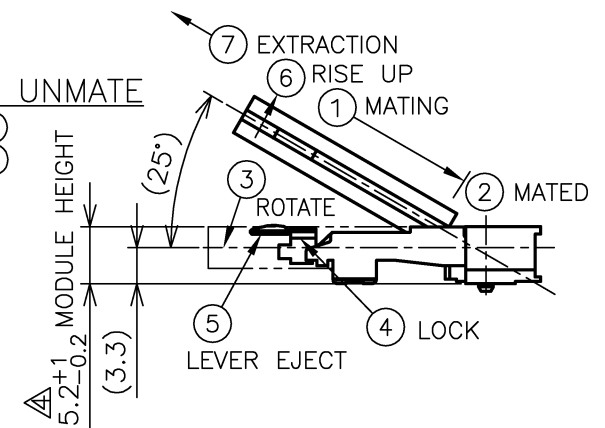


| LOC | DIST | REVISIONS   |               |           |         |
|-----|------|-------------|---------------|-----------|---------|
| P   | LTR  | DESCRIPTION | DATE          | DWN       | APVD    |
|     | B1   | REVISED     | ECR-08-019047 | 30JUL2008 | T.F K.I |



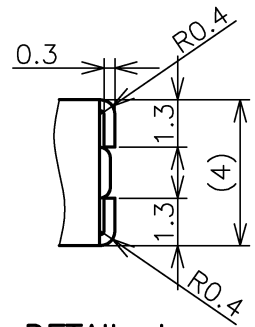
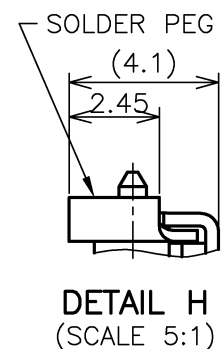
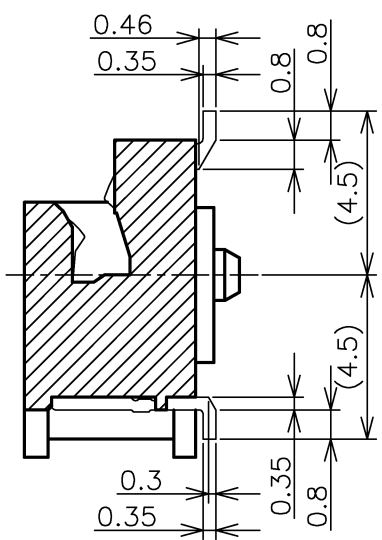
HOW TO MATE AND UNMATE

- MATE: ① → ④  
 UNMATE: ⑤ → ⑦



(APPLIED TO SHEET 1-3)

- MATERIAL ; HOUSING: HIGH TEMPERATURE THERMO PLASTIC UL94V-0  
 COLOR: BLACK  
 CONTACT: COPPER ARROY  
 LOCK LEVER: STAINLESS STEEL  
 PEG: COPPER ARROY
  - 2-1. FINISH ; CONTACT AREA: GOLD FLASH  
 ALL OVER NICKEL.  
 SOLDERING AREA: GOLD FLASH PLATING  
 PEG: TIN PLATING
  - 2-2. FINISH ; CONTACT AREA: 0.000254MIN GOLD  
 ALL OVER NICKEL.  
 SOLDERING AREA: GOLD FLASH PLATING  
 PEG: TIN PLATING
  - 2-3. FINISH ; CONTACT AREA: 0.00076MIN GOLD  
 ALL OVER NICKEL.  
 SOLDERING AREA: GOLD FLASH PLATING  
 PEG: TIN PLATING
- △ COPLANARITY: 0.1 MAX. (BEFORE SOLDERING)  
 △ THE FLOATING VALUE BY SOLDERING IS NOT INCLUDED.  
 △ NOT MATING CONDITION.
6. IF THE MODULE DOESN'T INSERT AND LOCK IN THE LATCH SMOOTHLY,  
 OPEN WIDE BOTH LATCHES BY MANUAL. AND THE MODULE MUST BE  
 INSERTED AND LOCKED IN THE LATCH.



DETAIL H (SCALE 5:1)

DETAIL J (SCALE 5:1)

GENERAL TOLERANCE  
 10 ≥ : ±0.2  
 30 ≥ > 10 : ±0.25  
 100 ≥ > 30 : ±0.3  
 ANGLES: ±3°

|   |  |                                |  |                    |
|---|--|--------------------------------|--|--------------------|
| THIS DRAWING IS A CONTROLLED DOCUMENT.  |  | DWN<br>T.FUMIKURA<br>18SEP2007 | Tyco Electronics Corporation<br>Kawasaki, Japan                                |                    |
| DIMENSIONS:<br>MM   |  | CHK<br>K.IKEGAMI<br>18SEP2007  | NAME<br>DDR3 SODIMM SOCKET<br>0.6mm PITCH 204POS<br>5.2mm HEIGHT STANDARD TYPE |                    |
| TOLERANCES UNLESS OTHERWISE SPECIFIED:<br>0 PLC ±<br>1 PLC ±<br>2 PLC ±<br>3 PLC ±<br>4 PLC ±<br>ANGLES ± |  | APVD<br>K.IKEGAMI<br>18SEP2007 | PRODUCT SPEC<br>108-78493  |                    |
| MATERIAL  |  | FINISH                         | APPLICATION SPEC   | RESTRICTED TO      |
|   |  | WEIGHT<br>4.4g                 | SIZE<br>A3   | CAGE CODE<br>00779 |
|   |  | CUSTOMER DRAWING               | DRAWING NO<br>2013289  | SCALE<br>2:1       |
|   |  |                                | SHEET<br>1 OF 6  | REV<br>B1          |

4

3

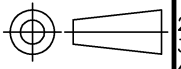
2

1

THIS DRAWING IS UNPUBLISHED. RELEASED FOR PUBLICATION SEP. 2007.  
 © COPYRIGHT 2007 BY TYCO ELECTRONICS CORPORATION. ALL RIGHTS RESERVED.

| LOC | DIST | REVISIONS   |      |     |      |
|-----|------|-------------|------|-----|------|
| P   | LTR  | DESCRIPTION | DATE | DWN | APVD |
|     |      | SEE SHEET 1 | -    | -   | -    |

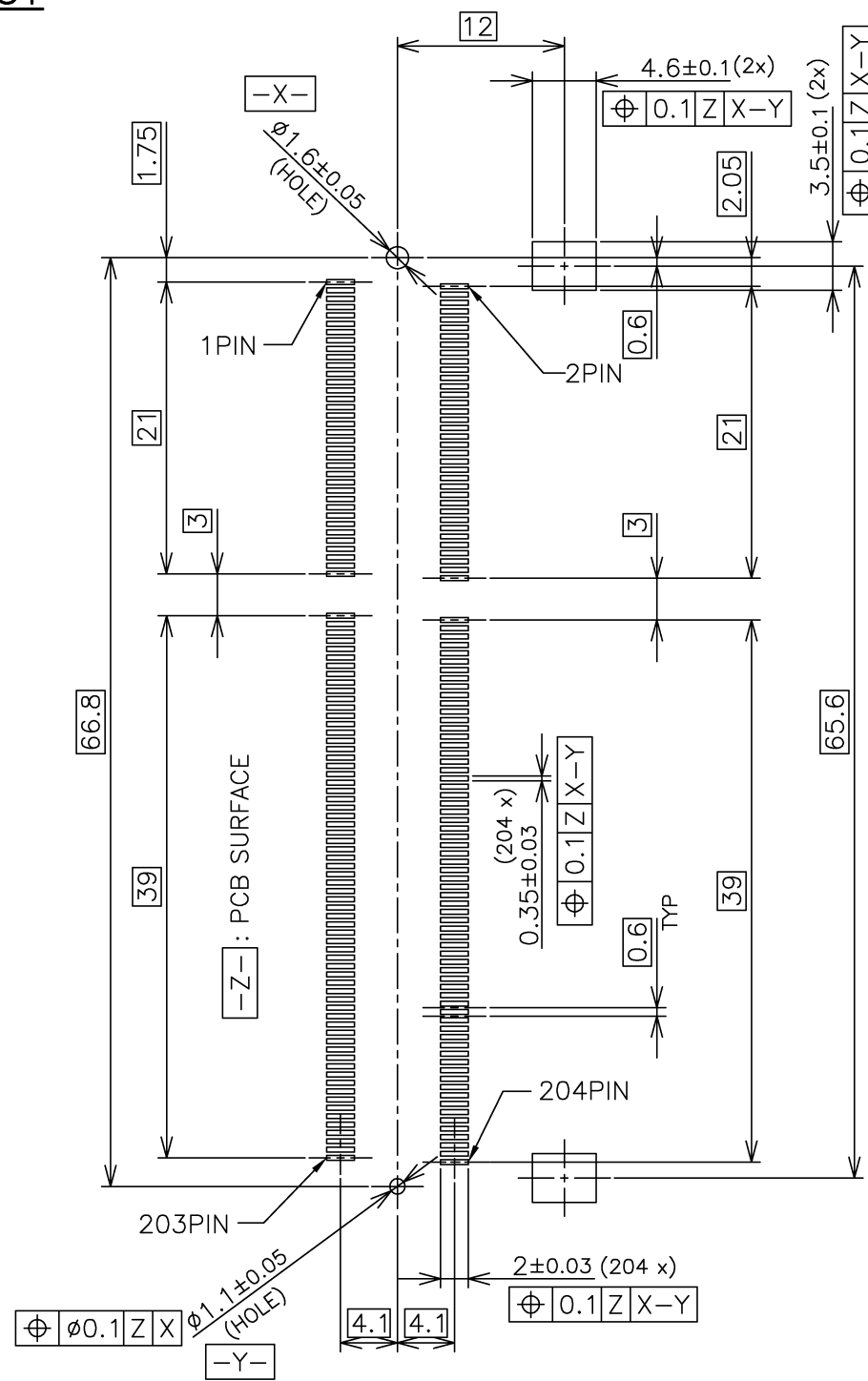
| TOOLING STATUS | PACKAGING TYPE               | BOSS TYPE | HOUSING COLOR | FINISH   | POWER SUPPLY | POS | PART NO.    |
|----------------|------------------------------|-----------|---------------|----------|--------------|-----|-------------|
| AVAILABLE      | ENBOSS (SEE SHEET 6)         | BOSSLESS  | GRAY          | NOTE 2-3 | 1.5V         | 204 | 3-2013289-6 |
| AVAILABLE      | ENBOSS (SEE SHEET 6)         | BOSSLESS  | GRAY          | NOTE 2-2 | 1.5V         | 204 | 3-2013289-5 |
| AVAILABLE      | ENBOSS (SEE SHEET 6)         | BOSSLESS  | GRAY          | NOTE 2-1 | 1.5V         | 204 | 3-2013289-4 |
| AVAILABLE      | ENBOSS (SEE SHEET 6)         | WITH BOSS | BLACK         | NOTE 2-3 | 1.5V         | 204 | 2-2013289-3 |
| AVAILABLE      | ENBOSS (SEE SHEET 6)         | WITH BOSS | BLACK         | NOTE 2-2 | 1.5V         | 204 | 2-2013289-2 |
| AVAILABLE      | ENBOSS (SEE SHEET 6)         | WITH BOSS | BLACK         | NOTE 2-1 | 1.5V         | 204 | 2-2013289-1 |
| AVAILABLE      | SEMI-HARD TRAY (SEE SHEET 5) | BOSSLESS  | GRAY          | NOTE 2-3 | 1.5V         | 204 | 1-2013289-6 |
| AVAILABLE      | SEMI-HARD TRAY (SEE SHEET 5) | BOSSLESS  | GRAY          | NOTE 2-2 | 1.5V         | 204 | 1-2013289-5 |
| AVAILABLE      | SEMI-HARD TRAY (SEE SHEET 5) | BOSSLESS  | GRAY          | NOTE 2-1 | 1.5V         | 204 | 1-2013289-4 |
| AVAILABLE      | SEMI-HARD TRAY (SEE SHEET 5) | WITH BOSS | BLACK         | NOTE 2-3 | 1.5V         | 204 | 2013289-3   |
| AVAILABLE      | SEMI-HARD TRAY (SEE SHEET 5) | WITH BOSS | BLACK         | NOTE 2-2 | 1.5V         | 204 | 2013289-2   |
| AVAILABLE      | SEMI-HARD TRAY (SEE SHEET 5) | WITH BOSS | BLACK         | NOTE 2-1 | 1.5V         | 204 | 2013289-1   |

|   |  |                  |  |           |
|---|--|------------------|--|-----------|
| THIS DRAWING IS A CONTROLLED DOCUMENT.  |  | DWN              | Tyco Electronics Corporation<br>Kawasaki, Japan                        |           |
| DIMENSIONS: MM  |  | CHK              | NAME   |           |
|  |  | APVD             | DDR3 SODIMM SOCKET<br>0.6mm PITCH 204POS<br>5.2mm HEIGHT STANDARD TYPE |           |
| TOLERANCES UNLESS OTHERWISE SPECIFIED:  |  | PRODUCT SPEC     | RESTRICTED TO  |           |
| 0 PLC ±   |  | APPLICATION SPEC | SIZE   | CAGE CODE |
| 1 PLC ±   |  | WEIGHT           | A3   | 00779     |
| 2 PLC ±   |  | CUSTOMER DRAWING | DRAWING NO   |           |
| 3 PLC ±   |  | SCALE            | G-2013289  |           |
| 4 PLC ±   |  | SCALE 2:1        | SHEET 2 OF 6   |           |
| ANGLES ±  |  | SCALE 2:1        | REV B1   |           |
| FINISH  |  |                  |  |           |

THIS DRAWING IS UNPUBLISHED. RELEASED FOR PUBLICATION SEP. 2007.  
 © COPYRIGHT 2007 BY TYCO ELECTRONICS CORPORATION. ALL RIGHTS RESERVED.

| LOC | DIST | REVISIONS   |      |     |      |
|-----|------|-------------|------|-----|------|
| P   | LTR  | DESCRIPTION | DATE | DWN | APVD |
| J   |      | SEE SHEET 1 | -    | -   | -    |

# REFERENCE P.C.BOARD PATTERN LAYOUT (CONNECTOR MOUNTING SIDE)

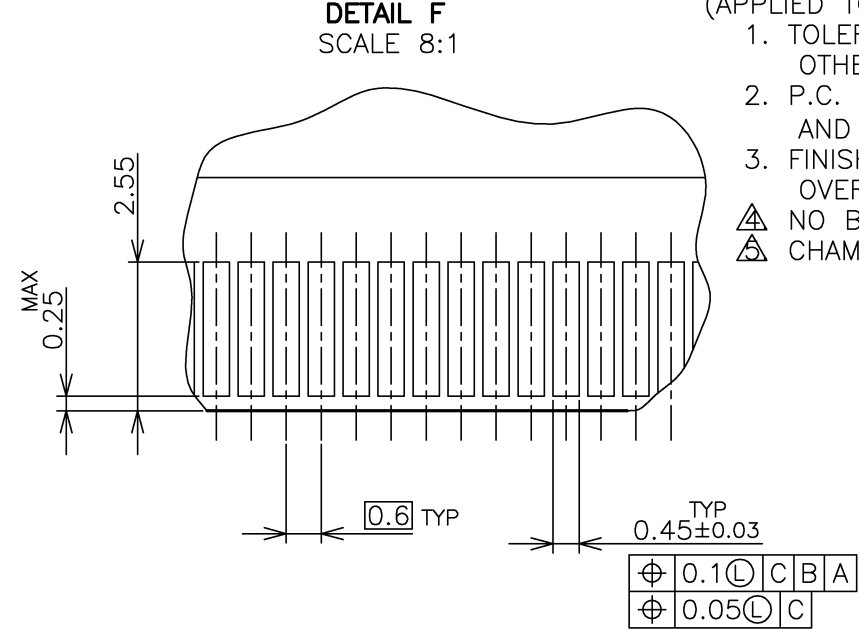
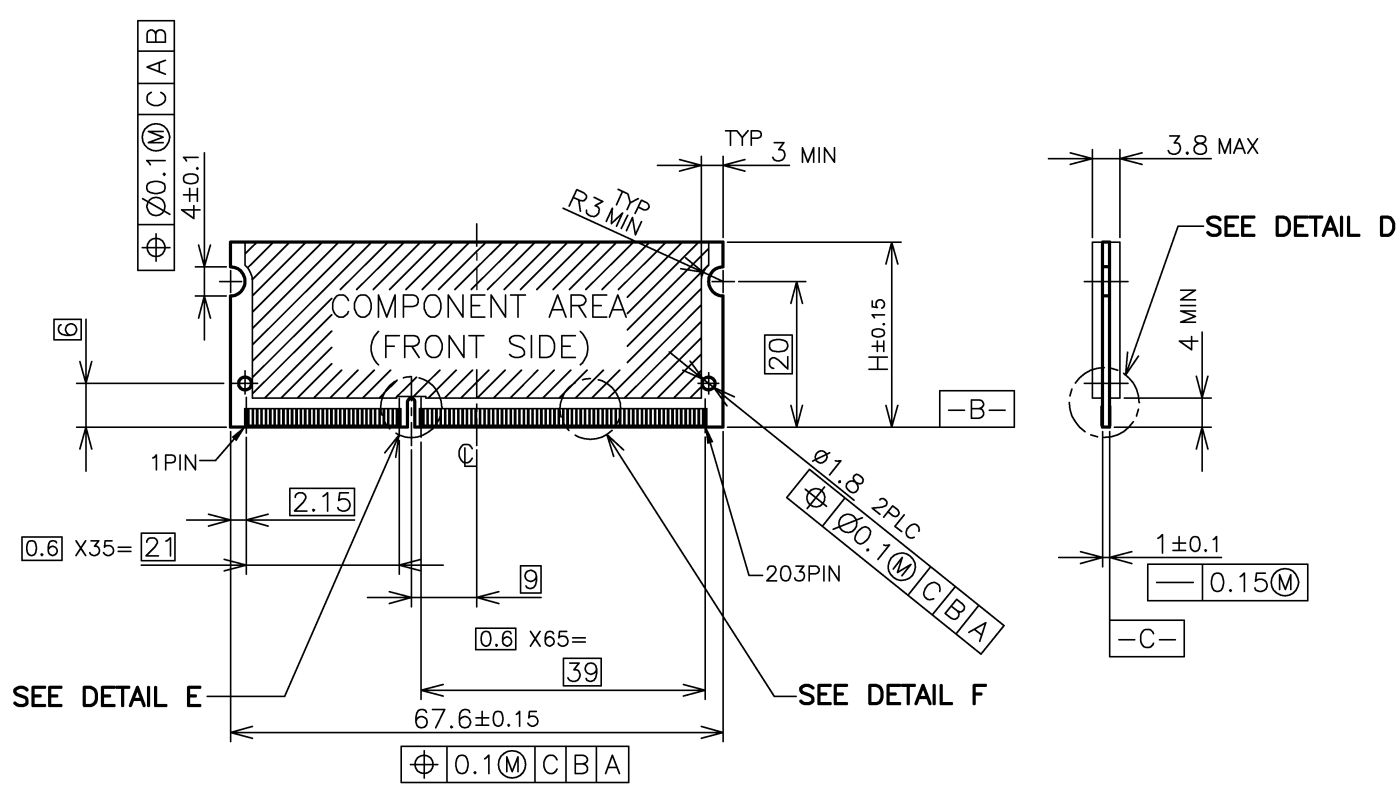


STD TYPE

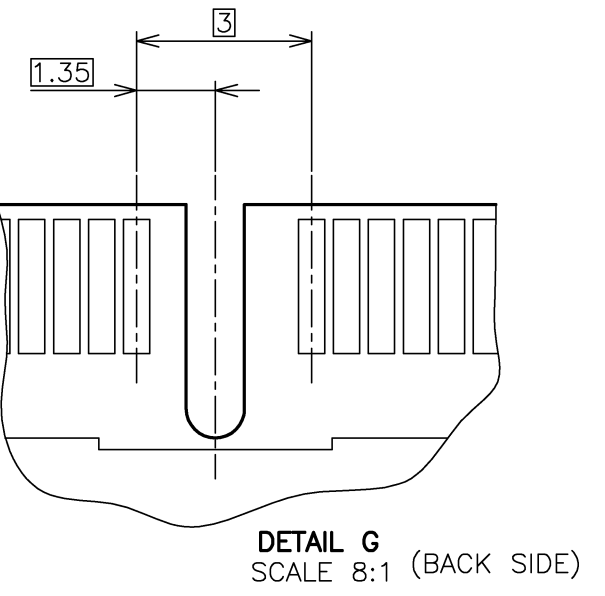
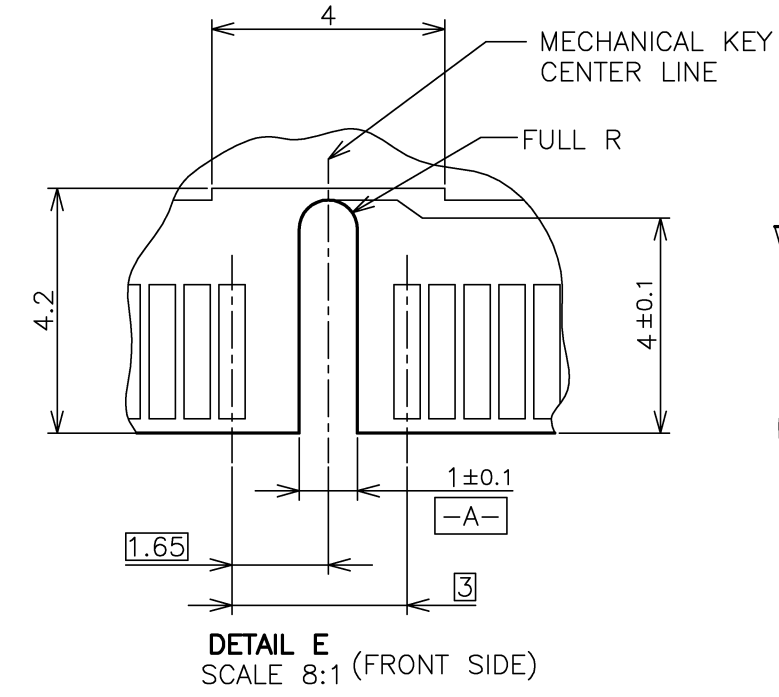
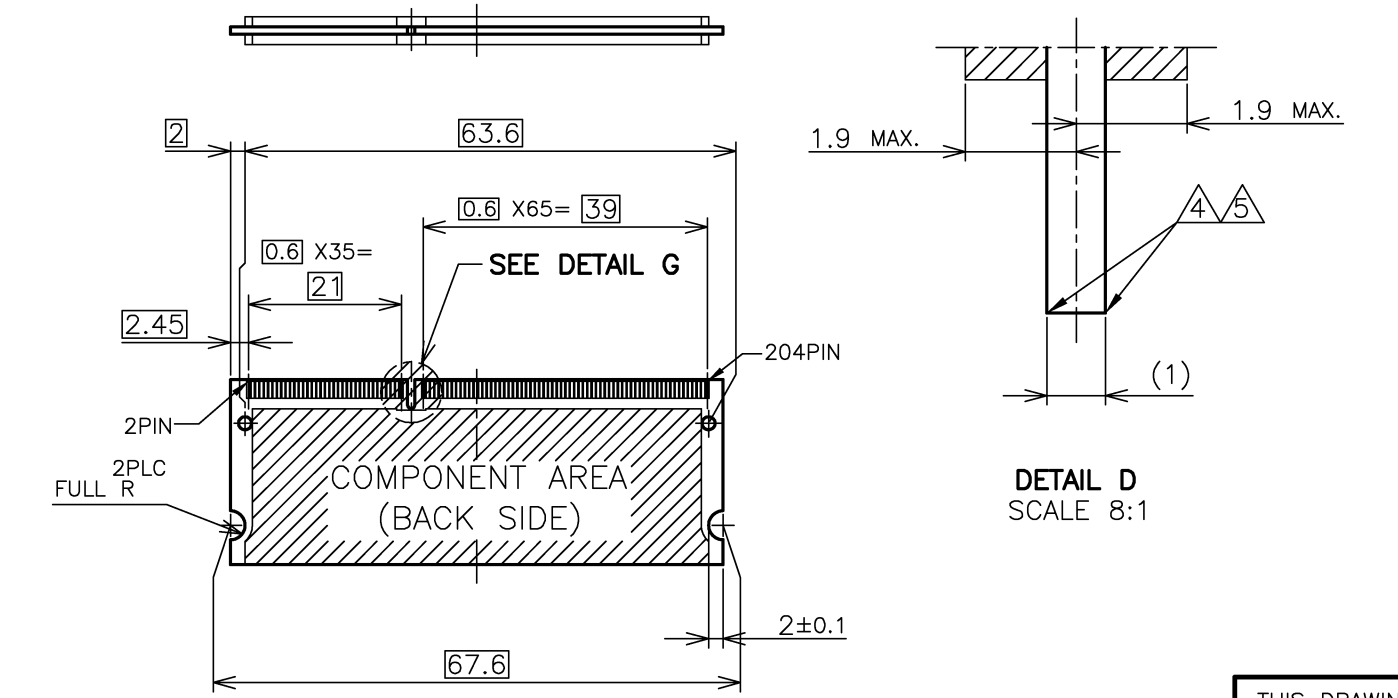
|  |  |                  |  |               |
|--|--|------------------|--|---------------|
| THIS DRAWING IS A CONTROLLED DOCUMENT. |  | DWN              | Tyco Electronics Corporation<br>Kawasaki, Japan                        |               |
| DIMENSIONS: MM                         |  | CHK              | NAME   |               |
| TOLERANCES UNLESS OTHERWISE SPECIFIED: |  | APVD             | DDR3 SODIMM SOCKET<br>0.6mm PITCH 204POS<br>5.2mm HEIGHT STANDARD TYPE |               |
| 0 PLC ±                                |  | PRODUCT SPEC     | SIZE   | RESTRICTED TO |
| 1 PLC ±                                |  | APPLICATION SPEC | CAGE CODE  | DRAWING NO    |
| 2 PLC ±                                |  | WEIGHT           | A3   | 00779         |
| 3 PLC ±                                |  | CUSTOMER DRAWING | C-2013289  |               |
| 4 PLC ±                                |  | SCALE            | 2:1  | SHEET 3 OF 6  |
| ANGLES ±                               |  | REV              | B1   |               |
| MATERIAL                               |  | FINISH           |  |               |

| LOC | DIST | REVISIONS   |      |     |      |
|-----|------|-------------|------|-----|------|
| P   | LTR  | DESCRIPTION | DATE | DWN | APVD |
| J   |      | SEE SHEET 1 | -    | -   | -    |

# REFERENCE MATING P.C.B CONFIGURATION



- (APPLIED TO SHEET 4)
- TOLERANCES ON ALL DIMENSIONS ±0.15 UNLESS OTHERWISE SPECIFIED.
  - P.C. BOARD THICKNESS APPLIES ACROSS TABS AND INCLUDES PLATING AND/OR METALIZATION.
  - FINISH OF PAD : GOLD PLATING 0.00076 MIN. OVER Ni PLATING 0.002MIN.
- △ NO BURR  
 △ CHAMFER 0.25 MAX x 45° IF EXIST.



|       |                  |
|-------|------------------|
| 30    | CA               |
| 31.75 | BA               |
| 25.4  | AA               |
| H     | SDRAM VARIATIONS |

THIS DRAWING IS A CONTROLLED DOCUMENT.

|                |  |     |     |      |              |                  |        |      |           |            |               |
|----------------|--|-----|-----|------|--------------|------------------|--------|------|-----------|------------|---------------|
| DIMENSIONS: MM | TOLERANCES UNLESS OTHERWISE SPECIFIED: | DWN | CHK | APVD | PRODUCT SPEC | APPLICATION SPEC | WEIGHT | SIZE | CAGE CODE | DRAWING NO | RESTRICTED TO |
| 0 PLC ±        | 1 PLC ±                                |     |     |      |              |                  |        | A3   | 00779     | 2013289    |               |
| 2 PLC ±        | 3 PLC ±                                |     |     |      |              |                  |        |      |           |            |               |
| 4 PLC ±        | ANGLES ±                               |     |     |      |              |                  |        |      |           |            |               |
| MATERIAL       | FINISH                                 |     |     |      |              |                  |        |      |           |            |               |

THIS DRAWING IS A CONTROLLED DOCUMENT.

Tyco Electronics Corporation  
Kawasaki, Japan

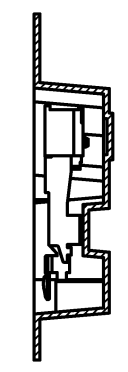
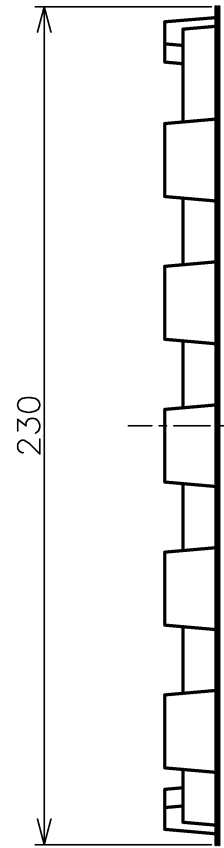
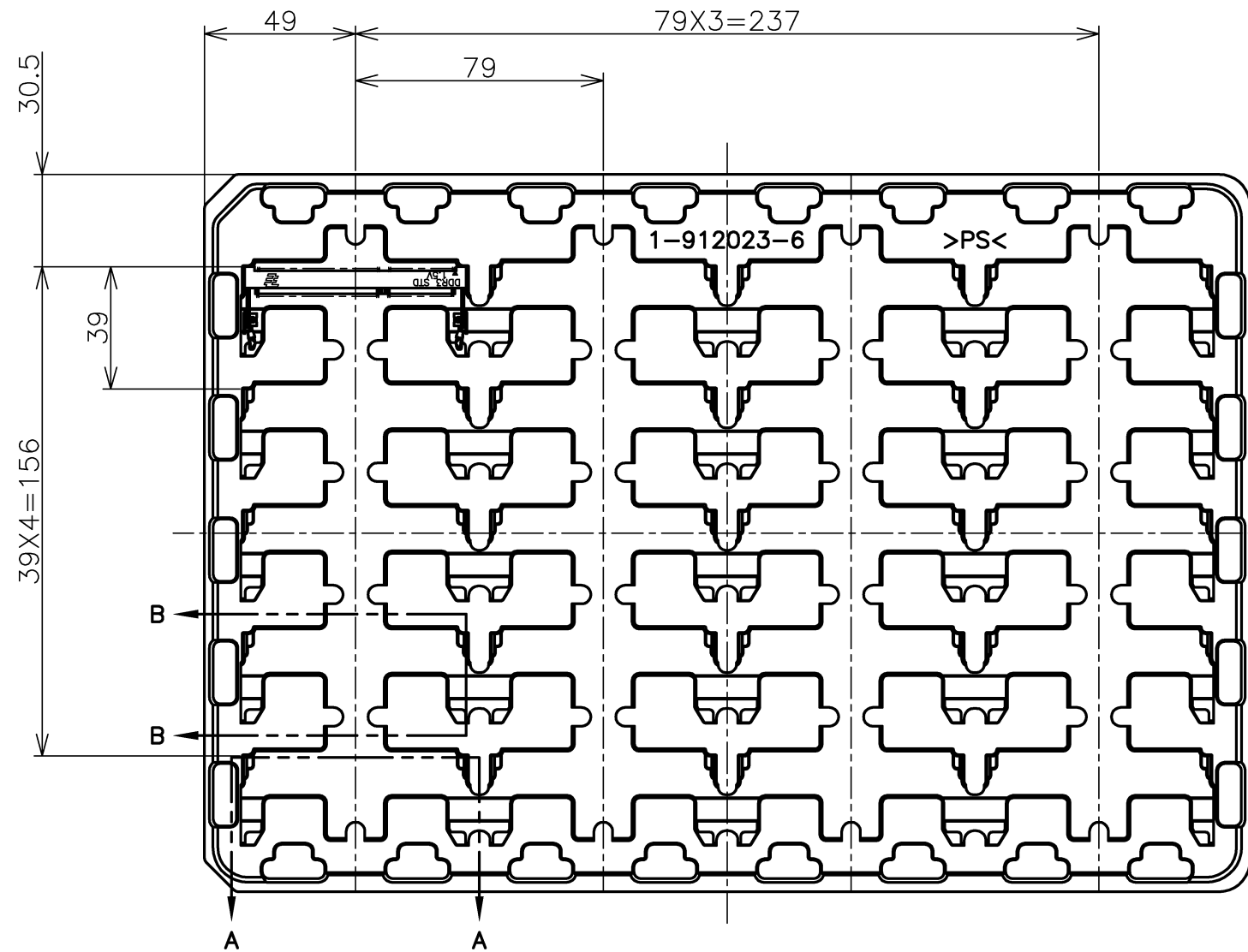
NAME: DDR3 SODIMM SOCKET  
0.6mm PITCH 204POS  
5.2mm HEIGHT STANDARD TYPE

CUSTOMER DRAWING SCALE 2:1 SHEET 4 OF 6 REV B1

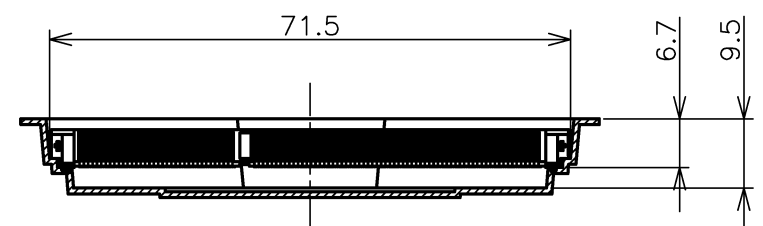
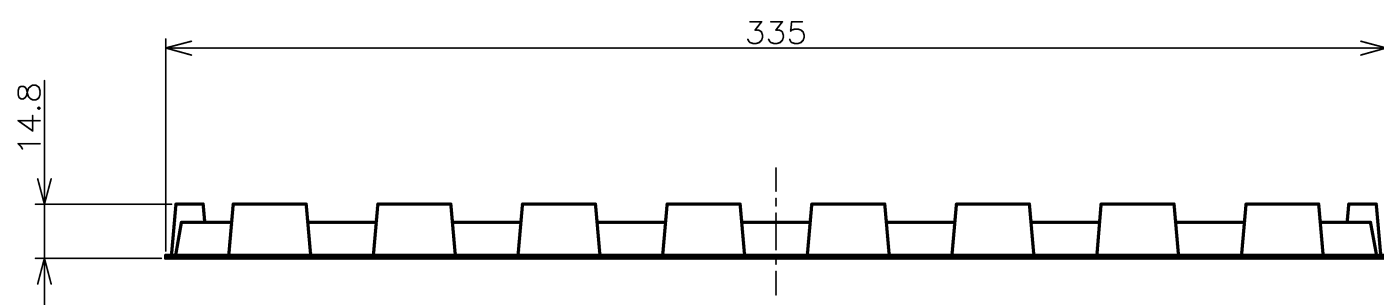
THIS DRAWING IS UNPUBLISHED. RELEASED FOR PUBLICATION SEP. 2007.  
 © COPYRIGHT 2007 BY TYCO ELECTRONICS CORPORATION. ALL RIGHTS RESERVED.

| LOC | DIST | REVISIONS   |      |     |      |
|-----|------|-------------|------|-----|------|
| P   | LTR  | DESCRIPTION | DATE | DWN | APVD |
| J   | /    | SEE SHEET 1 | -    | -   | -    |

(APPLIED TO SHEET 5)  
 1. THE DIRECTION OF EACH CONNECTOR ON A TRAY IS REFERRED TO THIS DRAWING.  
 2. GENERAL TOLERANCE:  $\pm 0.5$ ,  $\pm 3'$



B-B  
SCALE 1:1



A-A  
SCALE 1:1  
(180DEG. ROTATE)

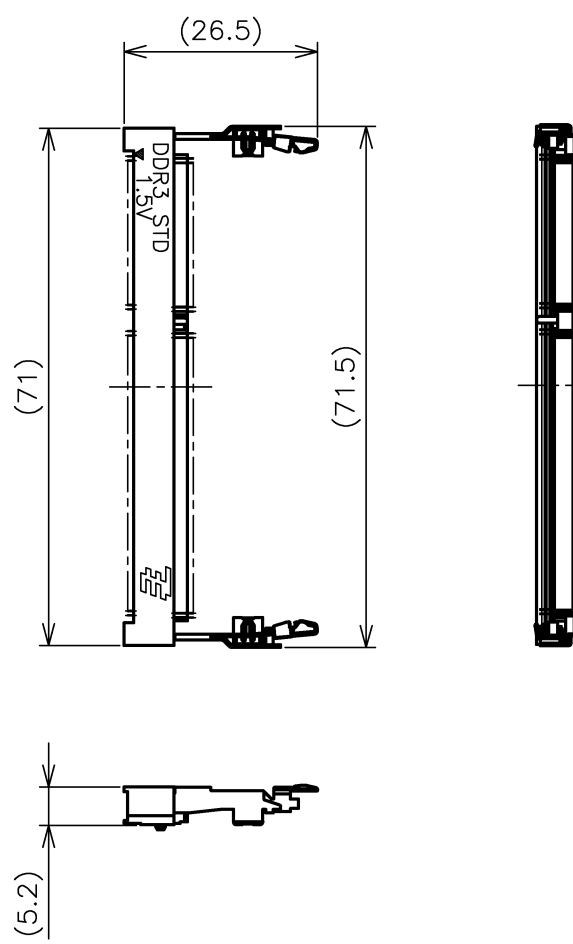
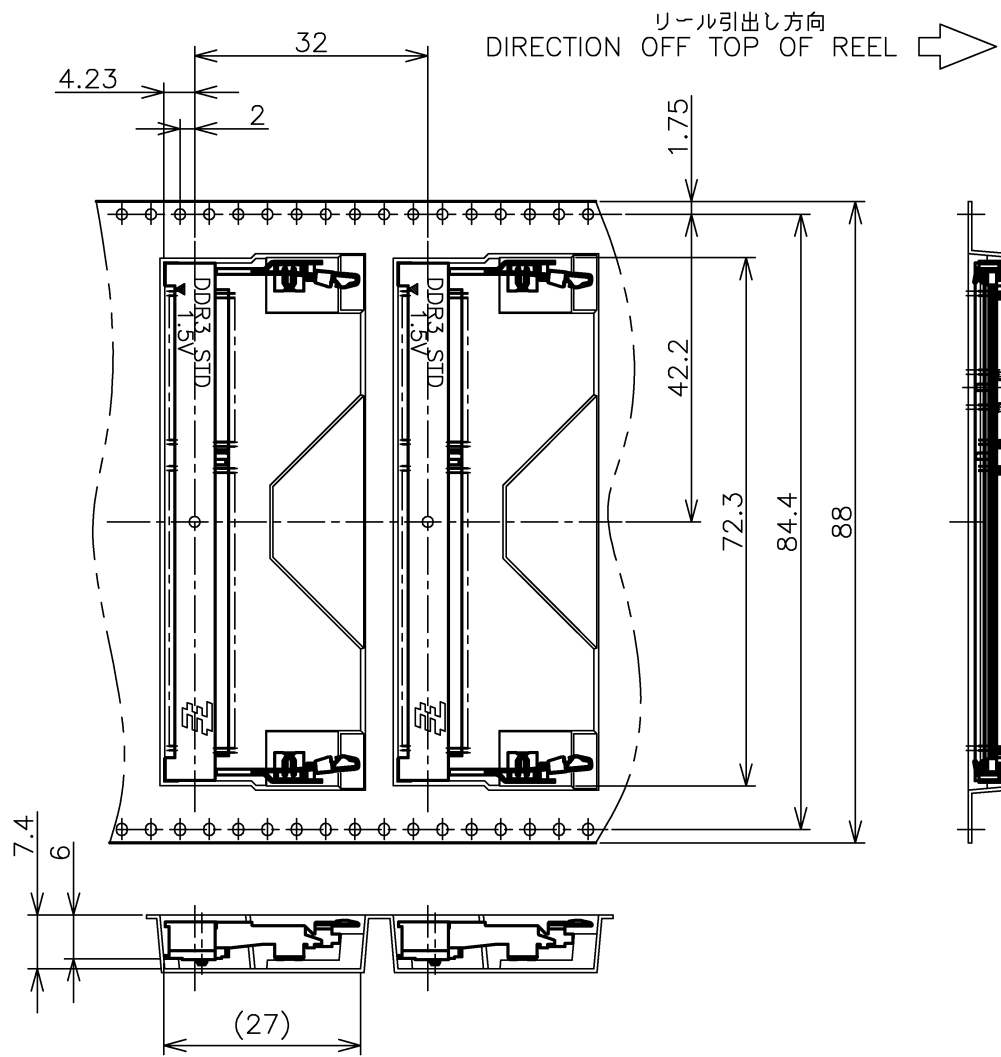
|         |          |             |
|---------|----------|-------------|
| 240EA   | 20EA     | *-2013289-* |
| QTY/BOX | QTY/TRAY | PART NO.    |

|  |  |                  |  |  |  |
|--|--|------------------|--|--|--|
| THIS DRAWING IS A CONTROLLED DOCUMENT. |  | DWN              |  | Tyco Electronics Corporation<br>Kawasaki, Japan                        |  |
| DIMENSIONS: MM                         |  | CHK              |  | NAME   |  |
| TOLERANCES UNLESS OTHERWISE SPECIFIED: |  | APVD             |  | DDR3 SODIMM SOCKET<br>0.6mm PITCH 204POS<br>5.2mm HEIGHT STANDARD TYPE |  |
| 0 PLC $\pm 0.5$                        |  | PRODUCT SPEC     |  | SIZE CAGE CODE DRAWING NO RESTRICTED TO                                |  |
| 1 PLC $\pm 0.5$                        |  | APPLICATION SPEC |  | A3 00779 C-2013289   |  |
| 2 PLC $\pm 0.5$                        |  | WEIGHT           |  | SCALE 1:2 SHEET 5 OF 6 REV B1  |  |
| 3 PLC $\pm 0.5$                        |  | CUSTOMER DRAWING |  |  |  |
| 4 PLC $\pm 0.5$                        |  |                  |  |  |  |
| ANGLES $\pm 3'$                        |  |                  |  |  |  |
| FINISH                                 |  |                  |  |  |  |
| MATERIAL                               |  |                  |  |  |  |

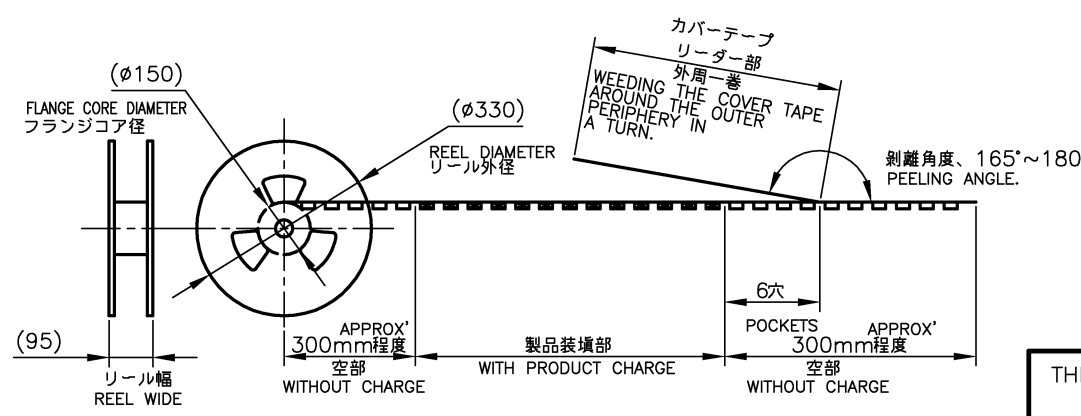
THIS DRAWING IS UNPUBLISHED. RELEASED FOR PUBLICATION SEP. 2007.  
 © COPYRIGHT 2007 BY TYCO ELECTRONICS CORPORATION. ALL RIGHTS RESERVED.

| LOC | DIST | REVISIONS   |      |     |      |
|-----|------|-------------|------|-----|------|
| P   | LTR  | DESCRIPTION | DATE | DWN | APVD |
| J   | /    | SEE SHEET 1 | -    | -   | -    |

D  
C  
B  
A



(APPLIED TO SHEET 6)  
 1. THE DIRECTION OF EACH CONNECTOR ON A EMBOSS IS REFERRED TO THIS DRAWING.  
 2. GENERAL TOLERANCE:  $\pm 0.5$ ,  $\pm 3^\circ$



FREE SCALE

|  |  |                  |  |  |  |
|--|--|------------------|--|--|--|
| THIS DRAWING IS A CONTROLLED DOCUMENT. |  | DWN              |  | Tyco Electronics Corporation<br>Kawasaki, Japan                        |  |
| DIMENSIONS: MM                         |  | CHK              |  | NAME   |  |
| TOLERANCES UNLESS OTHERWISE SPECIFIED: |  | APVD             |  | DDR3 SODIMM SOCKET<br>0.6mm PITCH 204POS<br>5.2mm HEIGHT STANDARD TYPE |  |
| 0 PLC $\pm 0.5$                        |  | PRODUCT SPEC     |  | SIZE   |  |
| 1 PLC $\pm 0.5$                        |  | APPLICATION SPEC |  | CAGE CODE  |  |
| 2 PLC $\pm 0.5$                        |  | WEIGHT           |  | DRAWING NO   |  |
| 3 PLC $\pm 0.5$                        |  | CUSTOMER DRAWING |  | A3 00779   |  |
| 4 PLC $\pm 0.5$                        |  | SCALE            |  | 2013289  |  |
| ANGLES $\pm 3^\circ$                   |  | 1:2              |  | RESTRICTED TO  |  |
| FINISH                                 |  | SHEET            |  | -  |  |
|  |  | 6 OF 6           |  | REV  |  |
|  |  |                  |  | B1   |  |