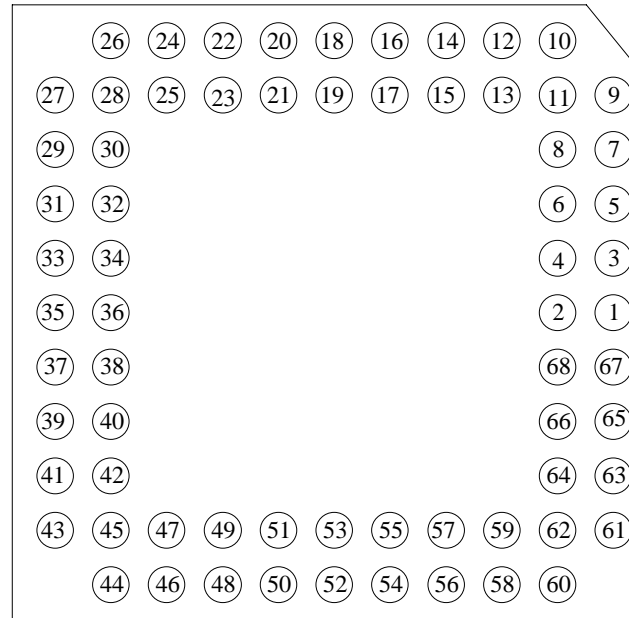
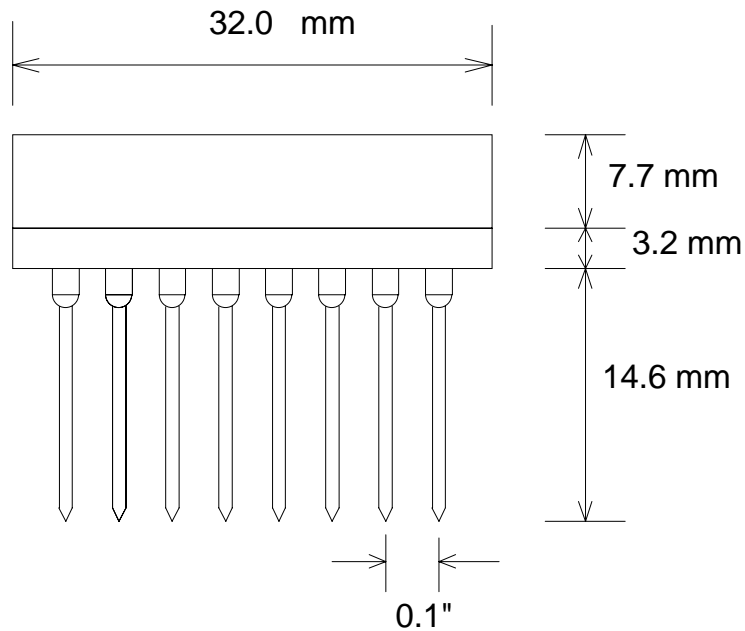


**TITLE : PLCC SOCKET WITH WIRE WRAP - WPLCC 068-T3 RS 244 6846**

**DIM.  
AS SHOWN**



**TOL.**  
0 +/- 1  
0.0 +/- 0.1  
0.00 +/- 0.01  
0.000 +/- 0.001

**DWN. OHT**

**DATE.** 28/7/97

**SCALE.**  
NTS

**ISSUE.**  
01

**MODIFICATIONS.**

NONE

Voltage rating 100 vrms/ 150v .dc  
 Current rating 1A.  
 Contact Resistance 30 m ohm max  
 Insulation Resistance 1000 Mega ohm max  
 Operating temperature -55 c to 125 c  
 Durability 100 cycles

**WINSLOW INTERNATIONAL Ltd.**

ADAPTICS HOUSE, BRECON ENTERPRISE PARK.  
 BRECON. POWYS. LD3 8EF.

Tel : 0044 (0)1874 625555 Fax : 0044 (0)1874 625500

Email : SALES @ winslow.co.uk Web : <http://www.winslow.co.uk>

**DEVICES. Generic**

for further details please contact factory.