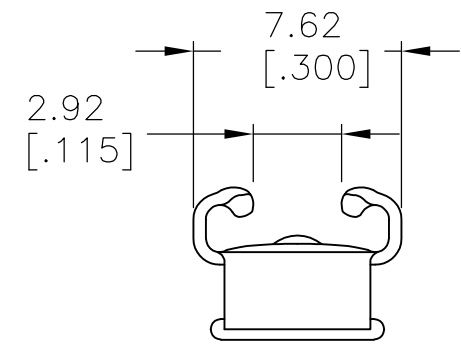
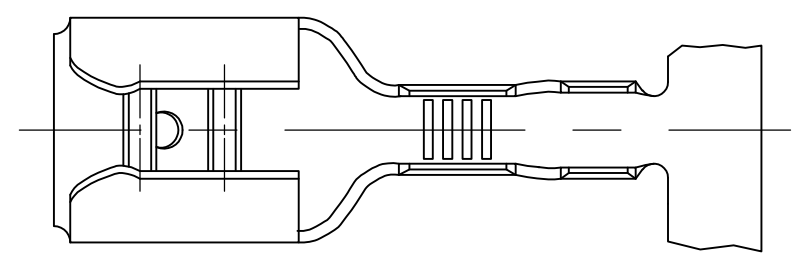


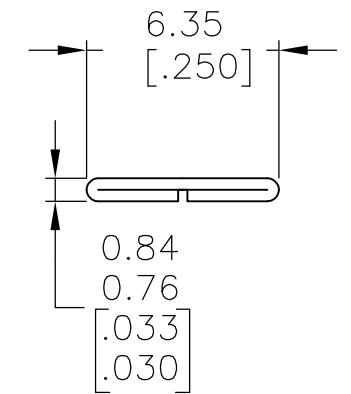
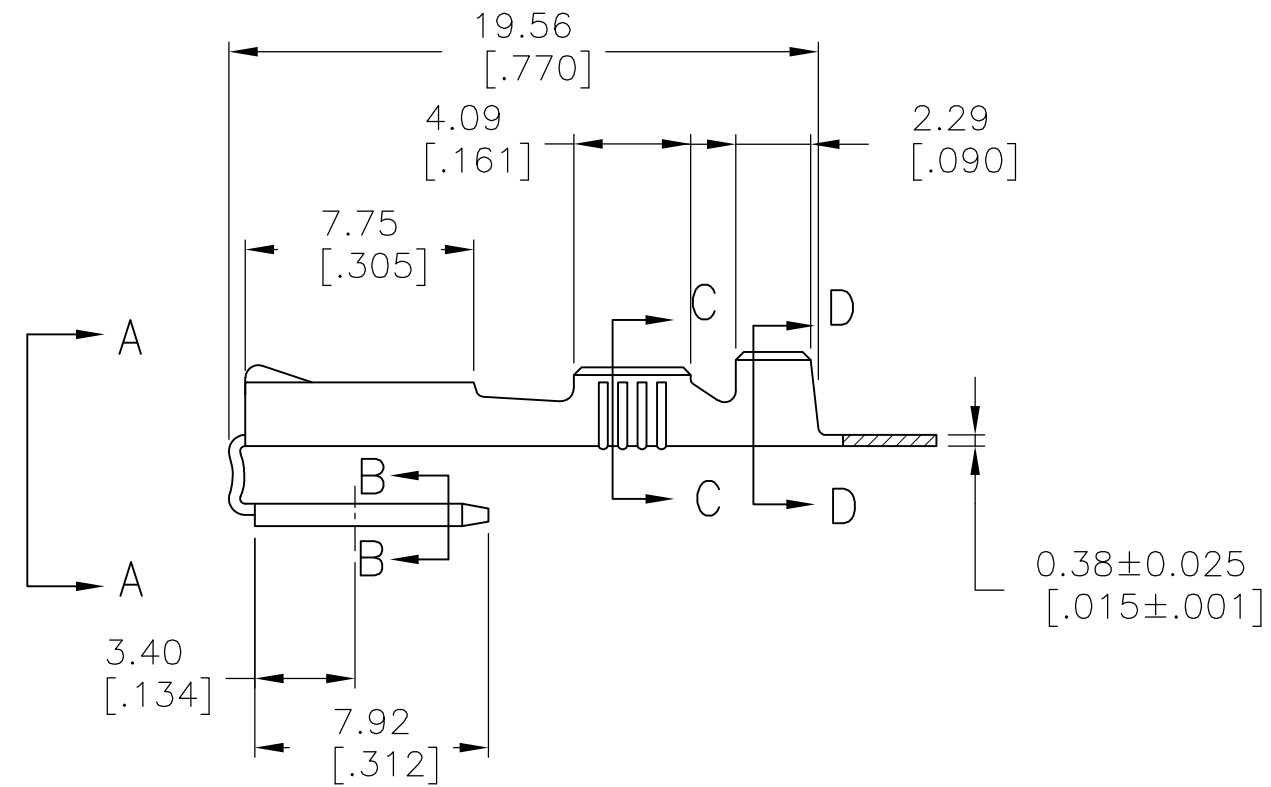
THIS DRAWING IS UNPUBLISHED. RELEASED FOR PUBLICATION
 © COPYRIGHT - By - ALL RIGHTS RESERVED.

LOC	DIST	REVISIONS					
AF	50	P	LTR	DESCRIPTION	DATE	DWN	APVD
			J3	REVISED PER ECO-11-004917	11MAR11	RK	HMR

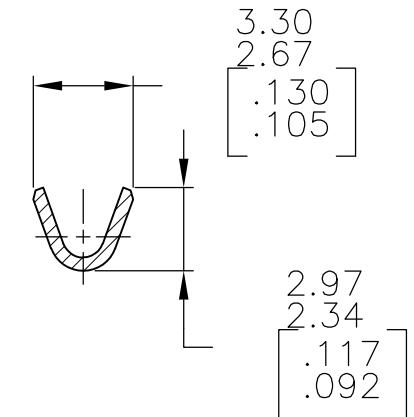


VIEW A-A

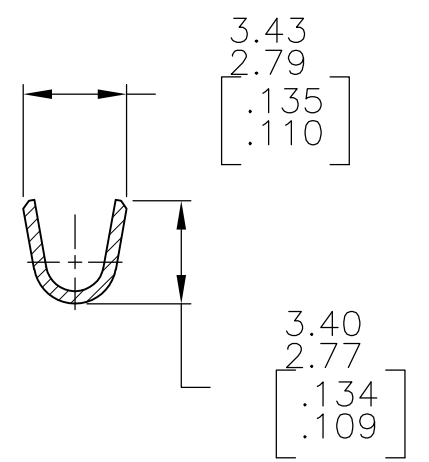
1 - CONTINUOUS STRIP ON REELS.
 2 - STRESS RELIEVED



SECTION B-B



SECTION C-C



SECTION D-D

2	TIN	1.52-2.54 [.060-.100]	#22-#18 AWG	0.81±0.025 [.032±.001]	61988-3
	TIN				61988-2
	-				61988-1
FINISH	INSUL RANGE	WIRE SIZE	MATING TAB THICKNESS	PART NUMBER	

THIS DRAWING IS A CONTROLLED DOCUMENT.		DWN	JR RUTH	5/14/86	TE Connectivity RECEPTACLE, FASTON, PIGGYBACK, 6.35 [.250] SERIES					
DIMENSIONS: mm [INCHES]		CHK	MS FEHER	5/14/86						
TOLERANCES UNLESS OTHERWISE SPECIFIED:		APVD	C NEYERS	5/16/86						
0 PLC ± - 1 PLC ± - 2 PLC ± - 3 PLC ± 0.38 [.015] 4 PLC ± - ANGLES ± -		PRODUCT SPEC		NAME						
MATERIAL	FINISH	APPLICATION SPEC		114-2082	SIZE	CAGE CODE	DRAWING NO	RESTRICTED TO		
H04 BRASS	SEE TABLE	WEIGHT		-	A3	00779	C-61988	-		
CUSTOMER DRAWING					SCALE	4:1	SHEET	1 OF 1	REV	J3