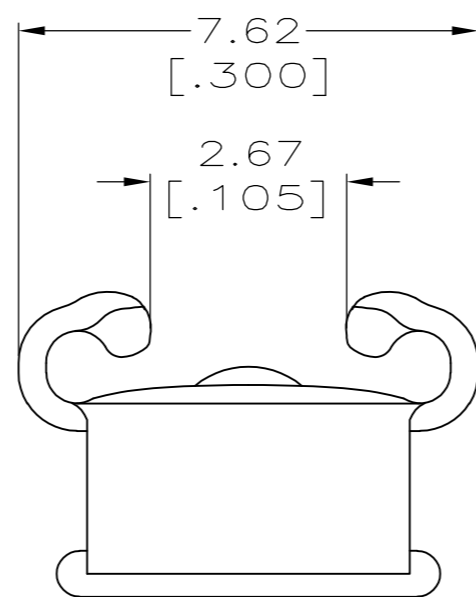
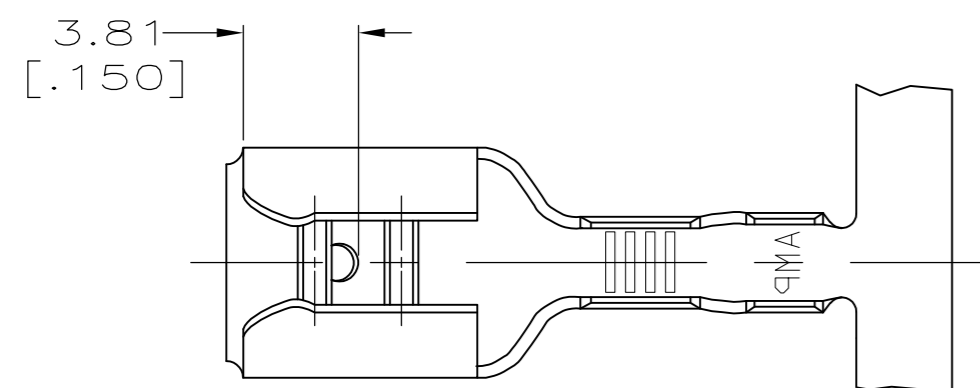


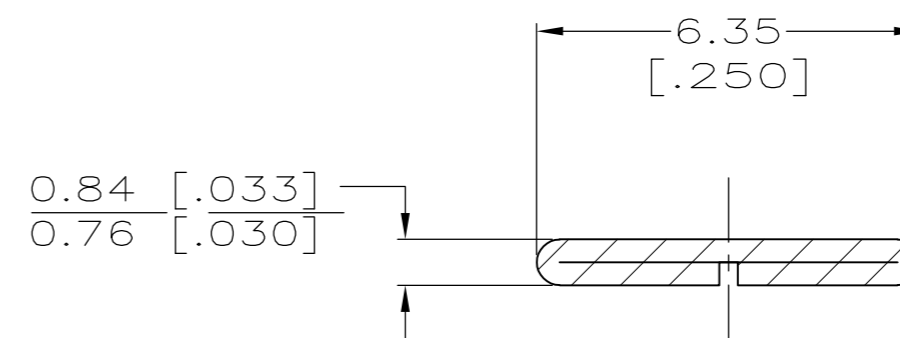
THIS DRAWING IS UNPUBLISHED. RELEASED FOR PUBLICATION
 © COPYRIGHT - By - ALL RIGHTS RESERVED.

LOC	DIST	REVISIONS					
		P	LTR	DESCRIPTION	DATE	DWN	APVD
AF	50		G3	REVISED PER ECO-11-005027	11MAR11	RK	HMR

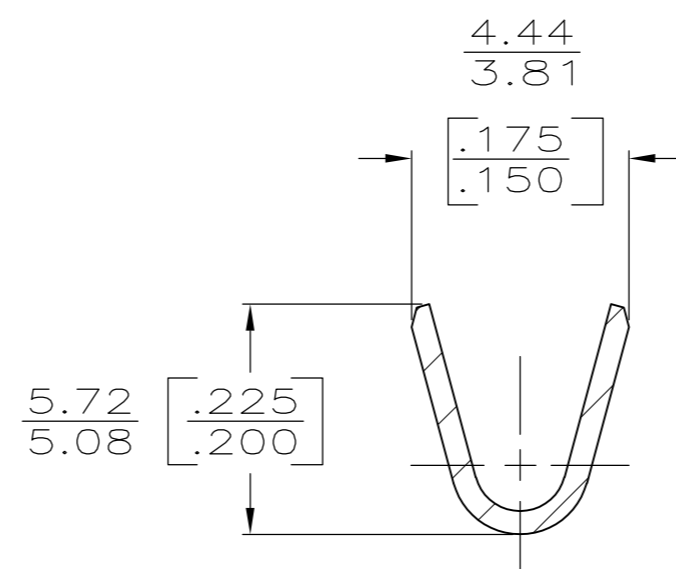
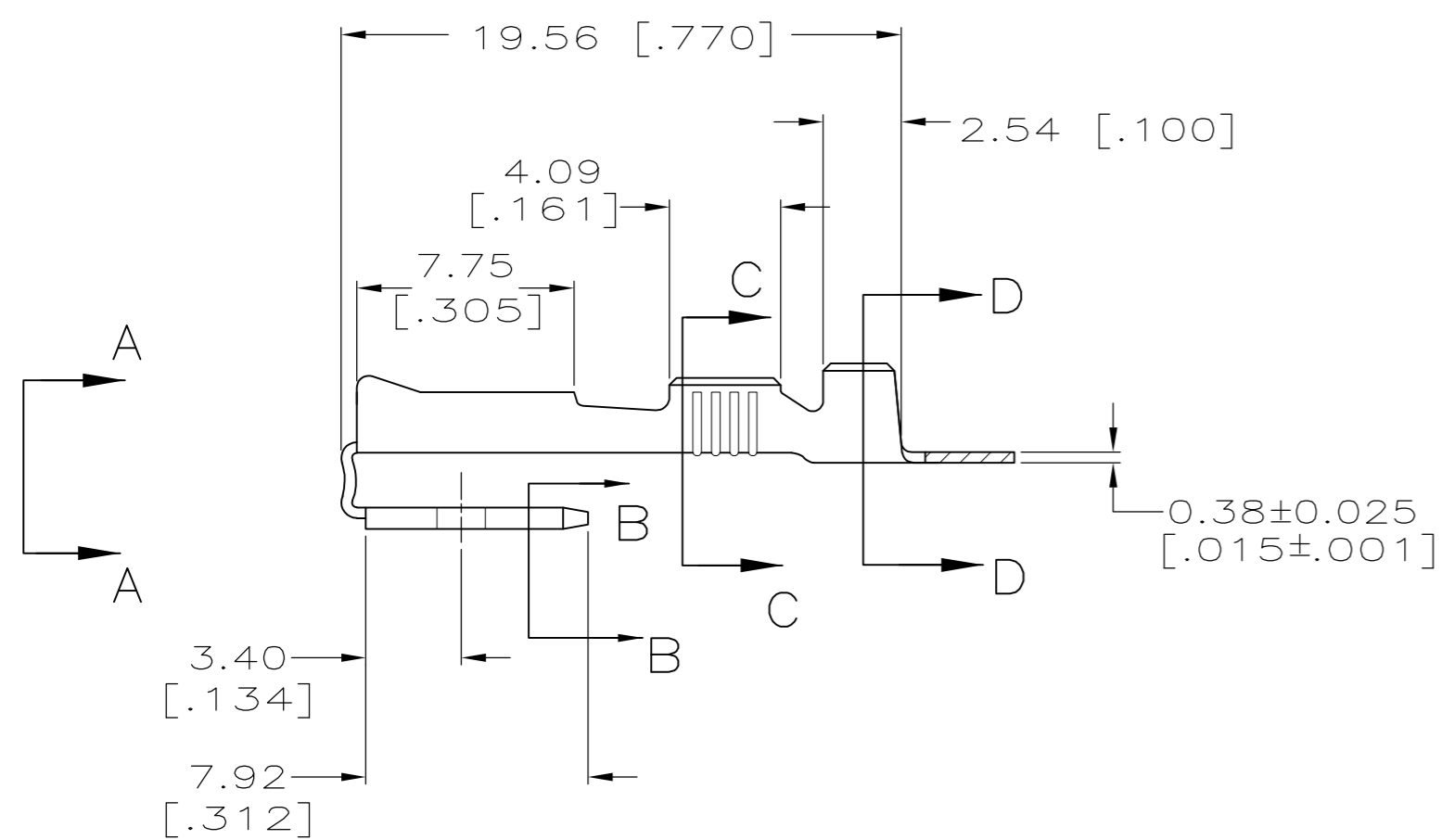
- CONTINUOUS STRIP ON REELS
- MATING TAB THK TO BE 0.81 ± 0.025 [.032±.001]
- WIRE SIZE IS #14-#10 AWG.
- INSULATION RANGE IS 3.81-5.08 [.150-.200] DIA.



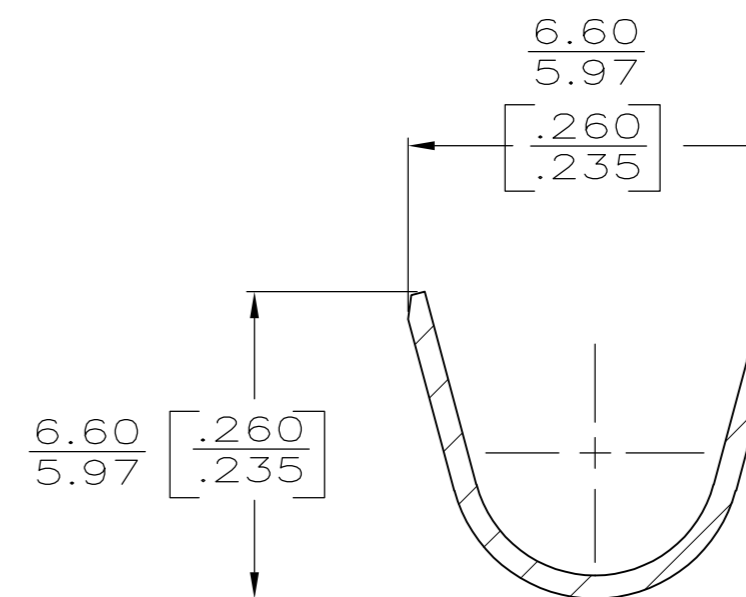
VIEW A-A
SCALE 8:1



SECTION B-B
SCALE 8:1



SECTION C-C
SCALE 8:1



SECTION D-D
SCALE 8:1

TIN	#4H BRASS	62253-2
-	#4H BRASS	62253-1
FINISH	MATERIAL	PART NO

THIS DRAWING IS A CONTROLLED DOCUMENT.		DWN	JR RUTH	7/12/89		TE Connectivity							
DIMENSIONS: INCHES		CHK	MS FEHER	7/12/89		RECEPTACLE, FASTON™ PIGGYBACK, 6.35 [.250] SERIES							
TOLERANCES UNLESS OTHERWISE SPECIFIED:		APVD	C MEYERS	7/12/89									
0 PLC ± - 1 PLC ± - 2 PLC ± - 3 PLC ± 0.38 [.015] 4 PLC ± - ANGLES ± -		PRODUCT SPEC	-			SIZE	A2	CAGE CODE	00779	DRAWING NO	C=62253	RESTRICTED TO	-
MATERIAL SEE TABLE		FINISH	SEE TABLE		WEIGHT	-		SCALE	4:1	SHEET	1 of 1	REV	G3
CUSTOMER DRAWING													