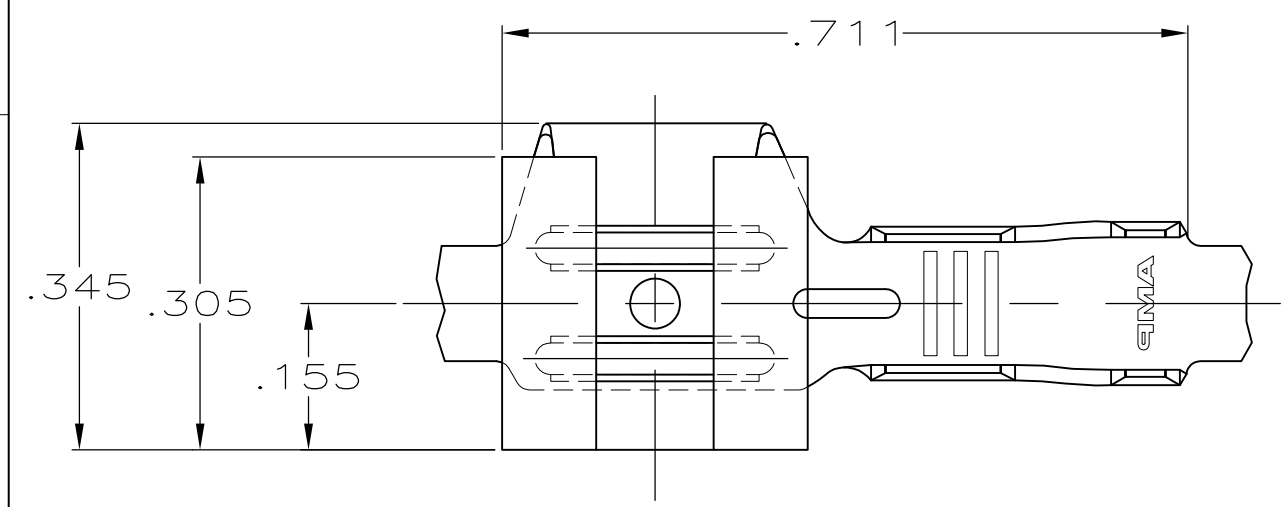
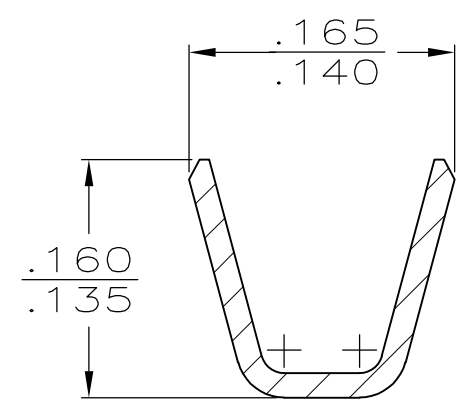
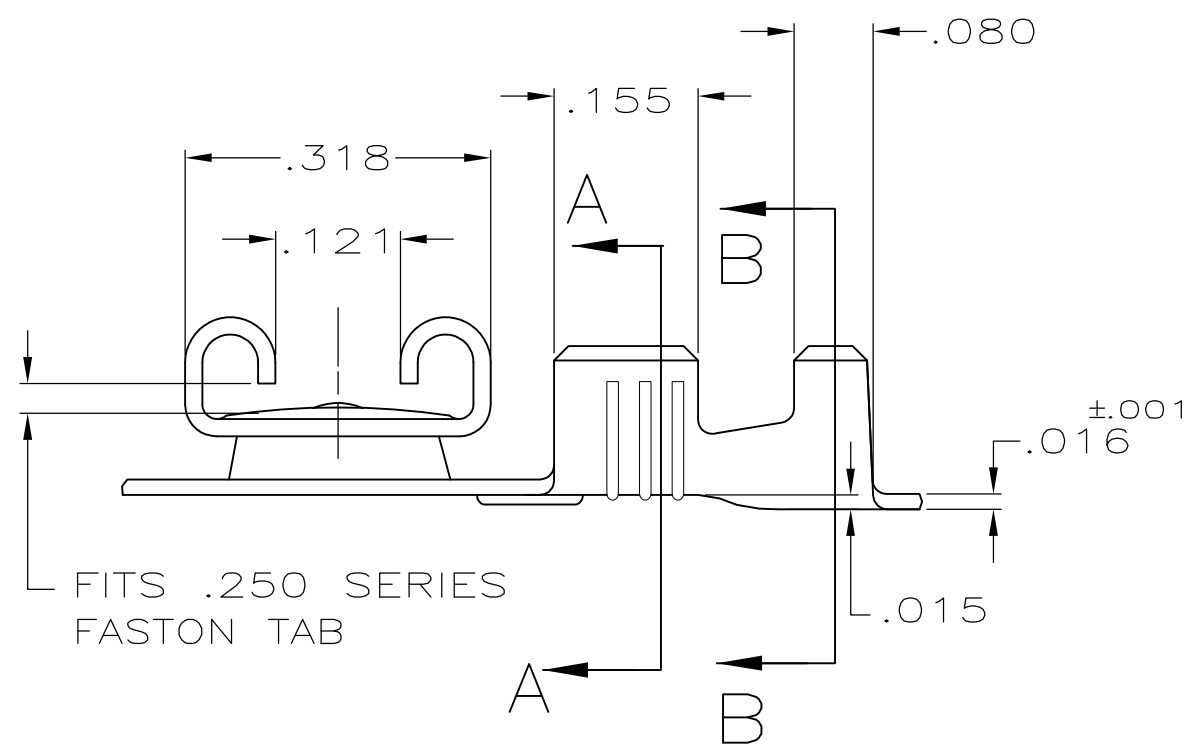


THIS DRAWING IS UNPUBLISHED. RELEASED FOR PUBLICATION
 © COPYRIGHT - By - ALL RIGHTS RESERVED.

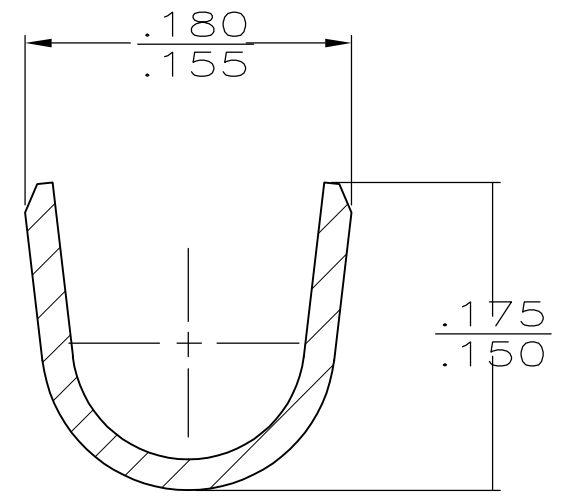
LOC	DIST	REVISIONS			
P	LTR	DESCRIPTION	DATE	DWN	APVD
AF	50	G	REVISED PER ECR-11-018063	26DEC11	KH PD



1 CONTINUOUS STRIP ON REELS.



SECTION A-A
SCALE 8:1



SECTION B-B
SCALE 10:1

FITS .250 SERIES FASTON TAB

FINISH	INSUL RANGE	WIRE SIZE	MATING TAB THK ±.001	PART NO
TIN	.090.-130	18-14	.032	62048-2
-	.090.-130	18-14	.032	62048-1

THIS DRAWING IS A CONTROLLED DOCUMENT.		DWN JR RUTH 6/7/91	TE Connectivity RECEPTACLE, FASTON™, FLAG, REVERSIBLE, .250 SERIES						
DIMENSIONS: INCHES		CHK MS FEHER 6/7/91				NAME			
TOLERANCES UNLESS OTHERWISE SPECIFIED:		APVD C MEYERS 6/7/91				PRODUCT SPEC			
0 PLC ± - 1 PLC ± - 2 PLC ± - 3 PLC ± .015 4 PLC ± - ANGLES ± -		APPLICATION SPEC				RESTRICTED TO			
MATERIAL 4M BRASS		FINISH SEE TABLE	114-2032	SIZE A3	CAGE CODE 00779	DRAWING NO C-62048	SCALE 5:1	SHEET 1 OF 1	REV G
CUSTOMER DRAWING			SCALE 5:1		SHEET 1 OF 1		REV G		