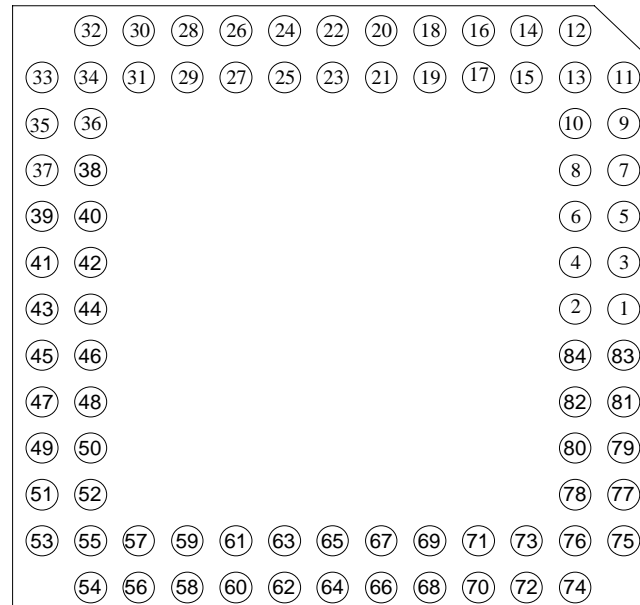
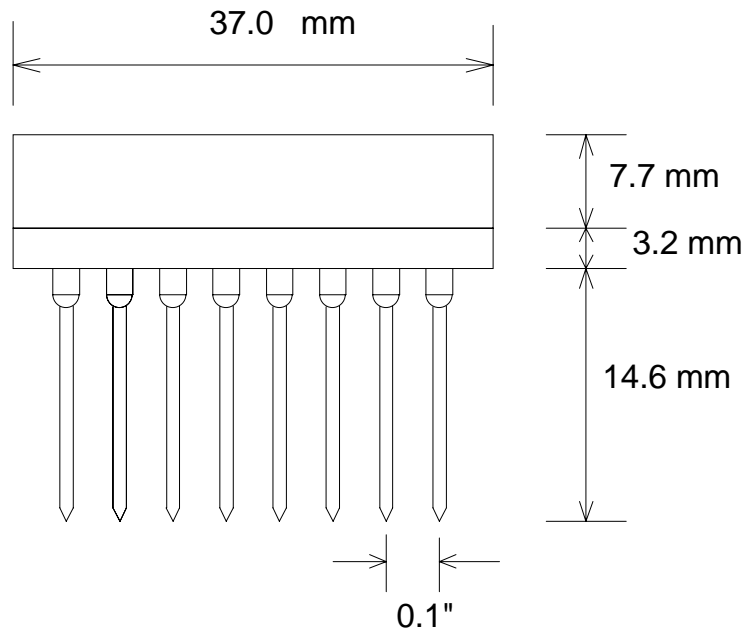


TITLE : PLCC SOCKET WITH WIRE WRAP - WPLCC084 - T3 RS 224 6852

**DIM.
AS SHOWN**



TOL.
0 +/- 1
0.0 +/- 0.1
0.00 +/- 0.01
0.000 +/- 0.001

DWN. OHT

DATE 29/7/97

SCALE.
NTS

ISSUE.
RS01

MODIFICATIONS.

NONE

Voltage rating 100 vrms/ 150v .dc
 Current rating 1A.
 Contact Resistance 30 m ohm max
 Insulation Resistance 1000 Mega ohm max
 Operating temperature -55 c to 125 c
 Durability 100 cycles

WINSLOW INTERNATIONAL Ltd.

ADAPTICS HOUSE, BRECON ENTERPRISE PARK.
 BRECON. POWYS. LD3 8EF.

Tel : 0044 (0)1874 625555 Fax : 0044 (0)1874 625500

Email : SALES @ winslow.co.uk Web : <http://www.winslow.co.uk>

DEVICES. Generic

for further details please contact factory.