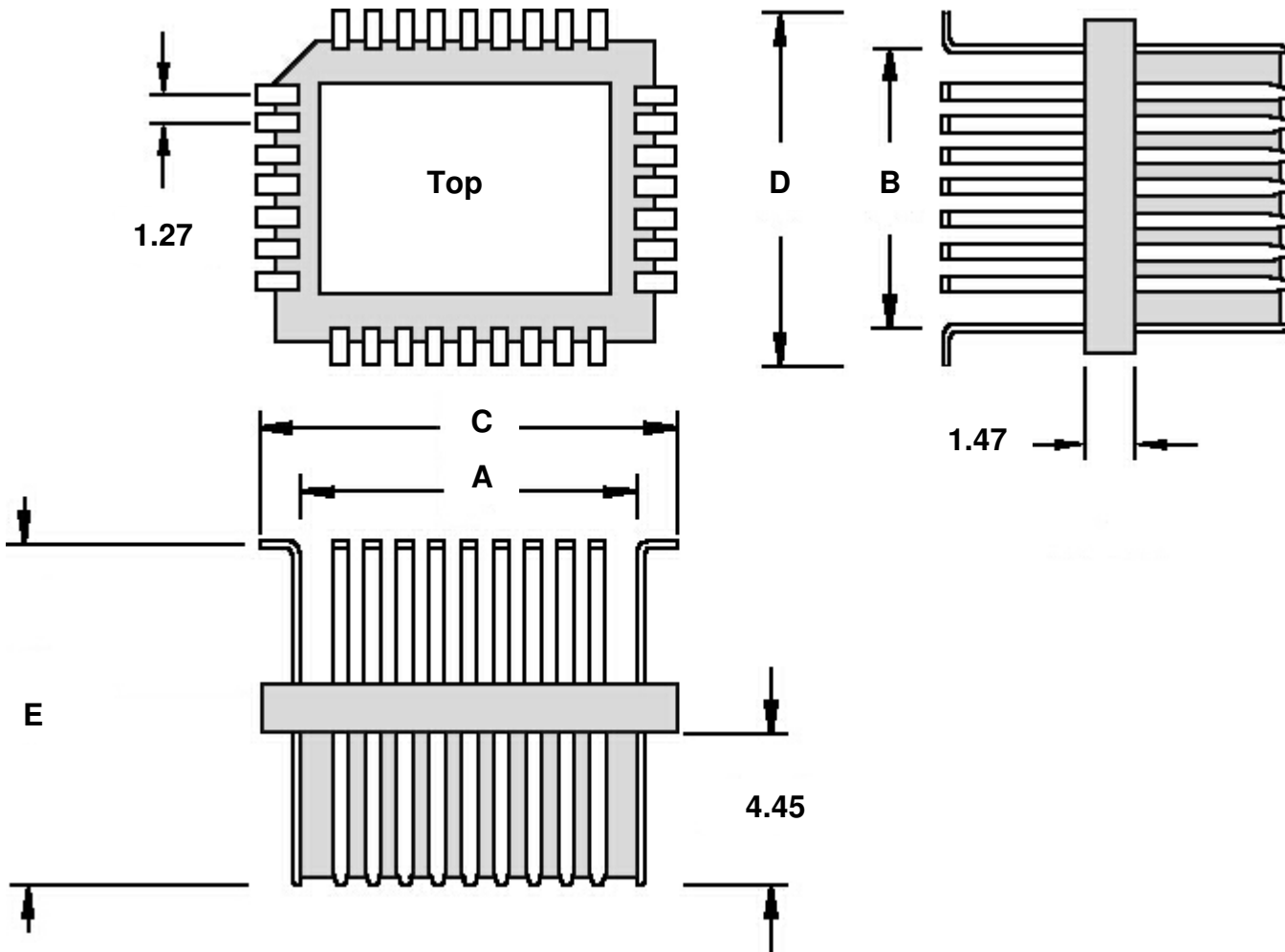


WINSLOW ADAPTICs

Large Footprint Surface-Mount Plugs



Number of pins shown is for illustration only. Plugs with longer pins may use two mouldings.

Adapter Dimension Table

Part Number	PLCC Pins	A	C	D	B
W9322	20	8.7	15	15	8.7
W9323	28	11.15	17.4	17.4	11.15
W9324	32	13.6	19.9	17.4	11.02
W9325	44	16.4	22.5	22.5	16.4
W9326	52	18.9	25.1	25.1	18.9
W9327	68	23.9	30.1	30.1	23.9
W9328	84	28.9	35.2	35.2	28.9

Pin Variations

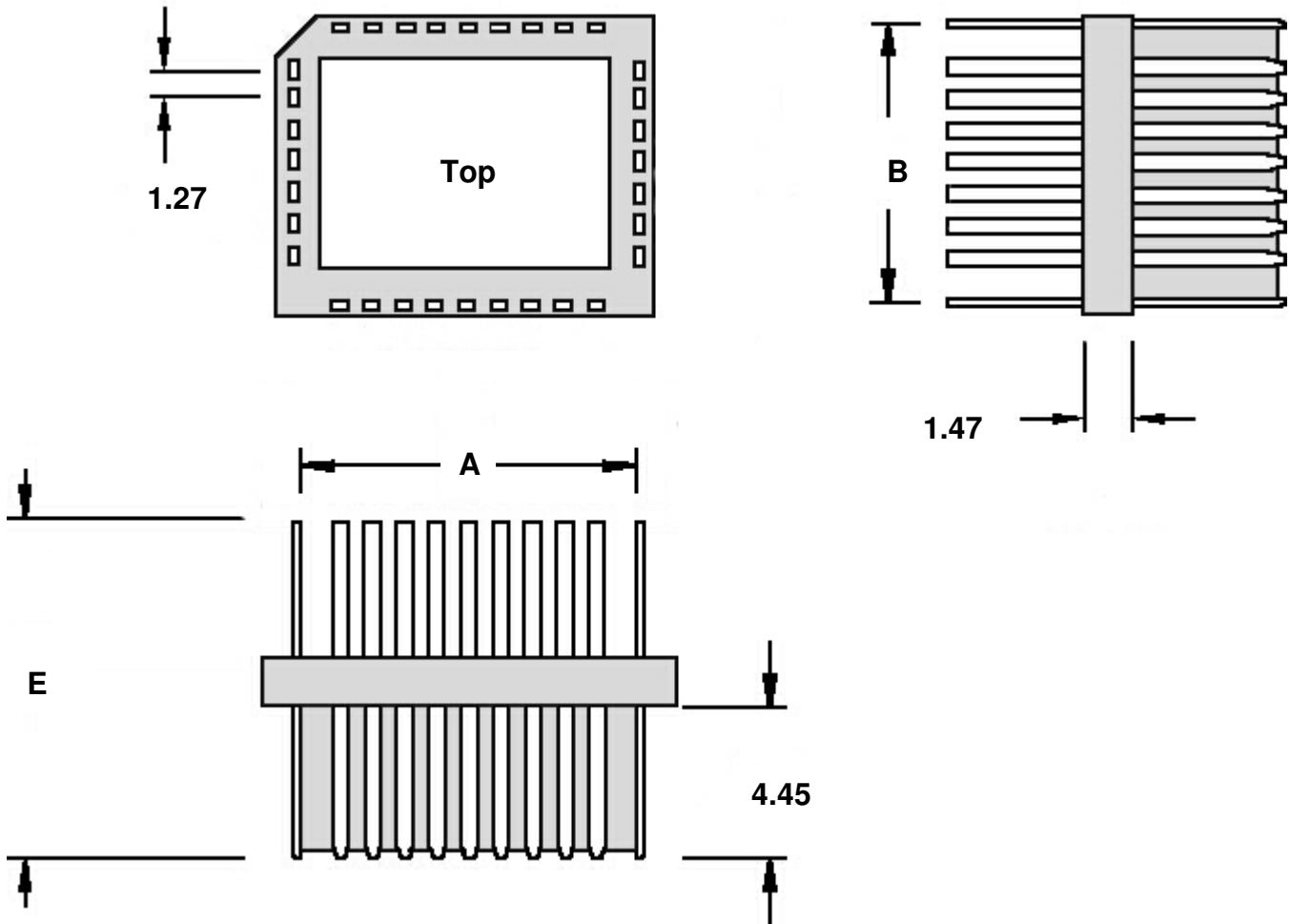
Suffix denoting Pin Length	E
-ZC138	10.2
-ZC158	9.3
-ZC160	7.2
NO SUFFIX	15.5

Example: For W9322-ZC158, E is 9.3mm

All dimensions in mm, and subject to change without notice

WINSLOW ADAPTICs

Small Footprint Surface-Mount Plugs



Number of pins shown is for illustration only. Plugs with longer pins may use two mouldings.

Adapter Dimension Table

Part Number	PLCC Pins	A	B
W9379	20	8.7	8.7
W9380	28	11.15	11.15
W9381	32	13.6	11.02
W9382	44	16.4	16.4
W9383	52	18.9	18.9
W9384	68	23.9	23.9
W9385	84	28.9	28.9

Pin Variations

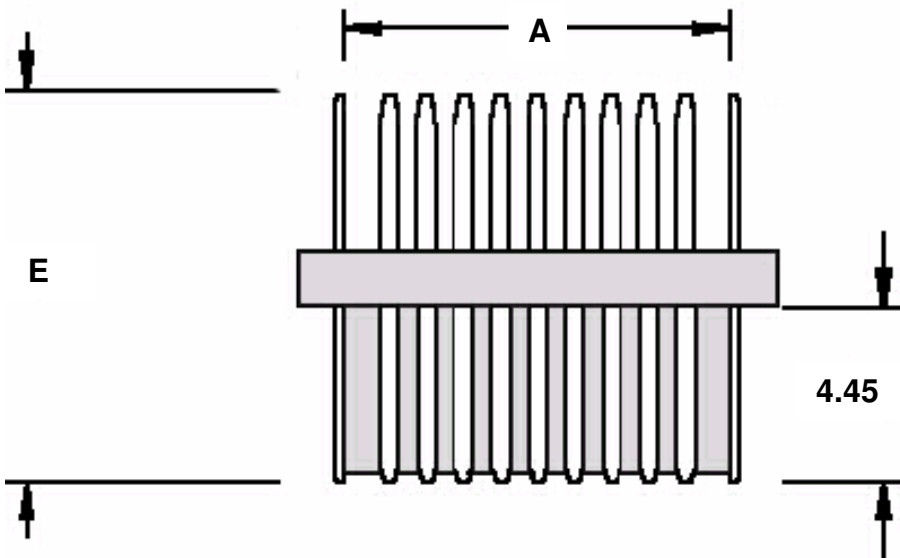
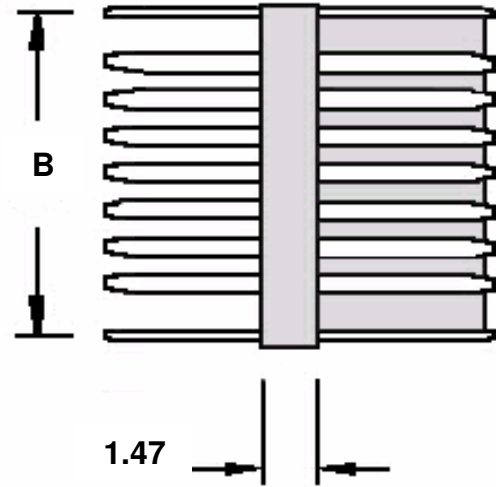
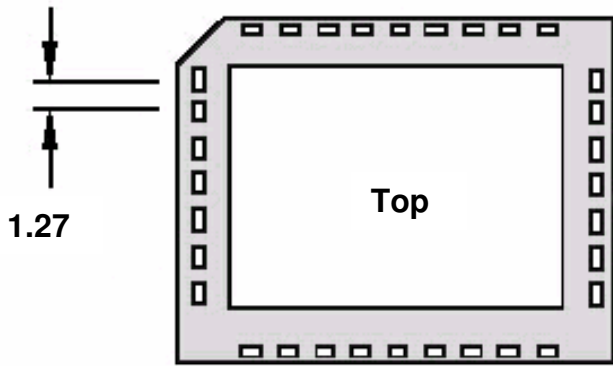
Suffix denoting Pin Length	E
-ZC174	8.3
-ZC170	21.6
NO SUFFIX	15.8

Example: For W9379-ZC174, E is 8.3mm

All dimensions in mm, and subject to change without notice

WINSLOW ADAPTICs

Butt-Jointing Surface-Mount Plugs



Number of pins shown is for illustration only. Plugs with longer pins may use two mouldings.

Adapter Dimension Table

Part Number	PLCC Pins	A	B
W9190	20	8.7	8.7
W9191	28	11.15	11.15
W9192	32	13.6	11.02
W9193	44	16.4	16.4
W9194	52	18.9	18.9
W9195	68	23.9	23.9
W9196	84	28.9	28.9

Pin Variations

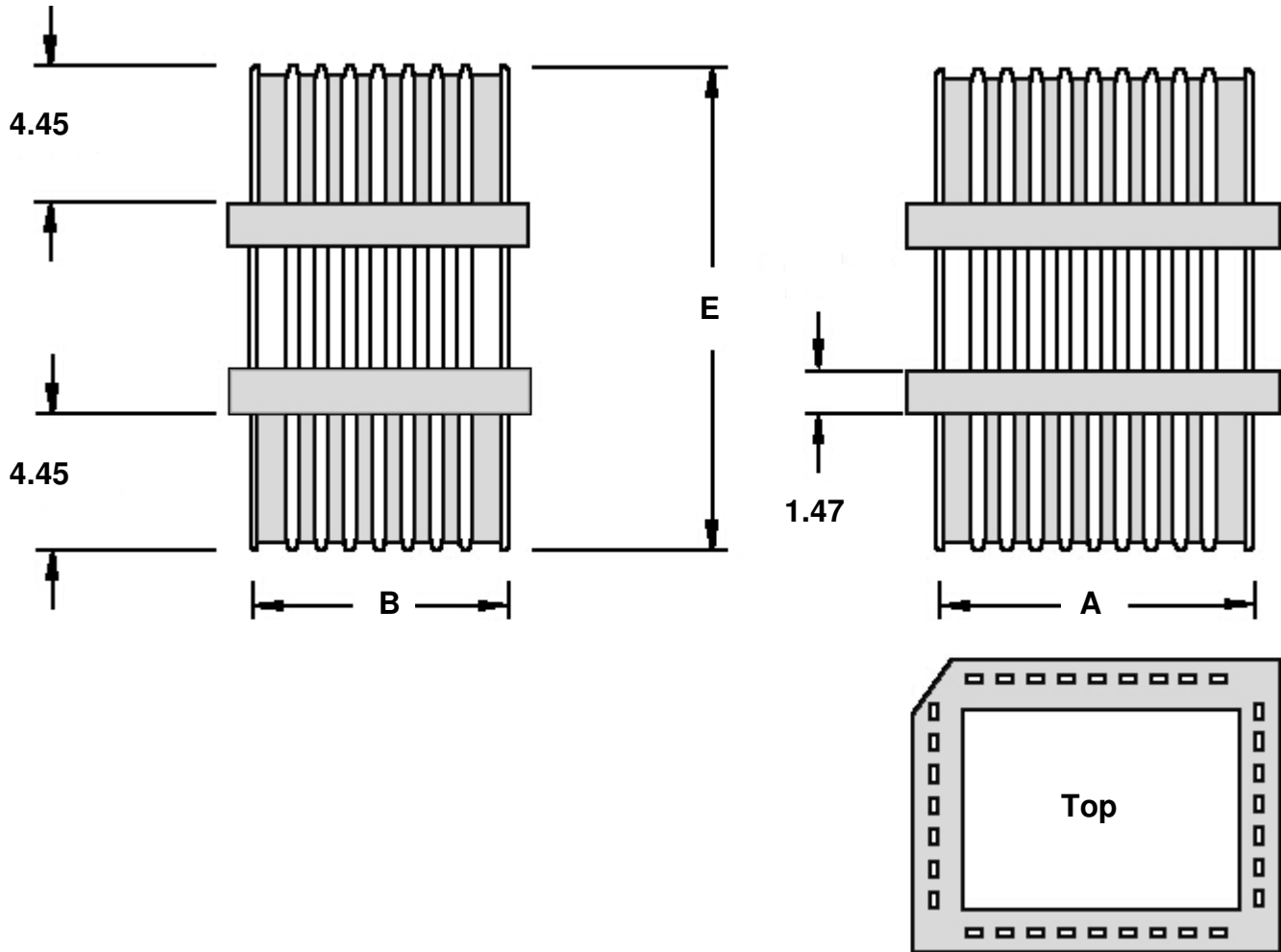
Suffix denoting Pin Length	E
-ZC156	10.8
-ZC155	15.2
-ZC163	21.6
-ZC157	29.2
NO SUFFIX	16.5

Example: For W9190-ZC155, E is 15.2mm

All dimensions in mm, and subject to change without notice

WINSLOW ADAPTICs

Double-Ended Plugs



Number of pins shown is for illustration only. Plugs with longer pins may use two mouldings.

Dimension Table

Part Number	PLCC Pins	A	B
W9314	20	8.7	8.7
W9315	28	11.15	11.15
W9316	32	13.6	11.02
W9317	44	16.4	16.4
W9318	52	18.9	18.9
W9319	68	23.9	23.9
W9320	84	28.9	28.9

Pin Variations

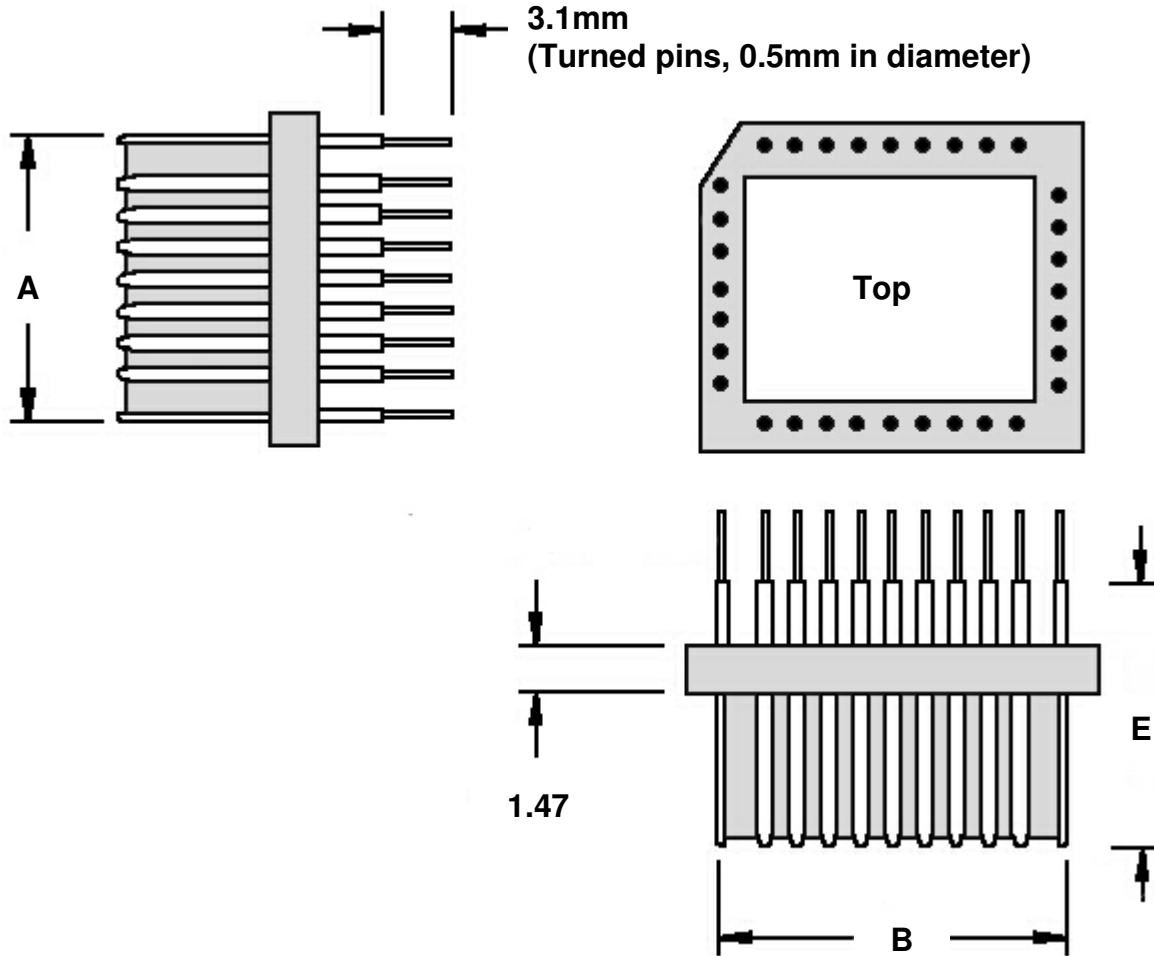
Suffix denoting Pin Length.	E
-ZC154	16.5
-ZC155	15.2
-ZC156	10.8
-ZC157	29.2
-ZC162	21
NO SUFFIX	21.6

Example: For W9314-ZC162, E has a length of 21mm

All dimensions in mm, and subject to change without notice

WINSLOW ADAPTICs

Through-Board Plug



Number of pins shown is for illustration only. Plugs with longer pins may use two mouldings.

Dimension Table

Part Number	PLCC Pins	A	B
W9300	20	8.7	8.7
W9301	28	11.15	11.15
W9302	32	13.6	11.02
W9303	44	16.4	16.4
W9304	52	18.9	18.9
W9305	68	23.9	23.9
W9306	84	29.5	29.5

Pin Variations

Suffix denoting Pin Length.	E
- ZC168	6.8
- ZC185	8.3
- ZC187	9.6
- ZC189	15.5
NO SUFFIX	11.7

Example: For W9300-ZC168, E has a length of 6.8mm

All dimensions in mm, and subject to change without notice