

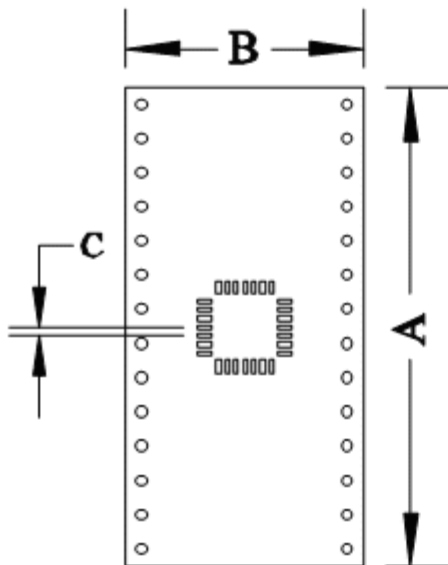
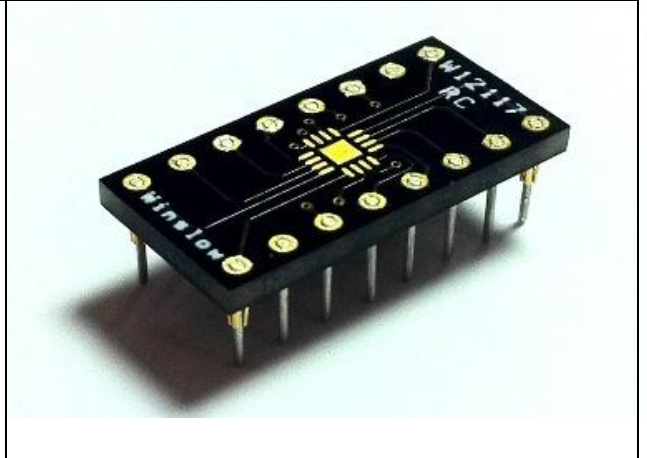
WINSLOW ADAPTICs

Data Sheet QFN to DIP Generic Adapters

These adapters allow the prototyping of QFN, DFN and UTDFN devices on a 2.54mm pitch development board.

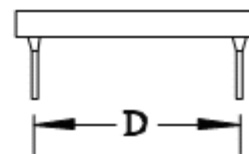
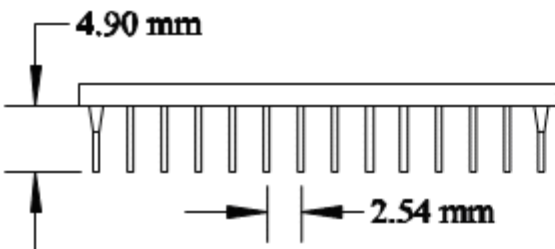
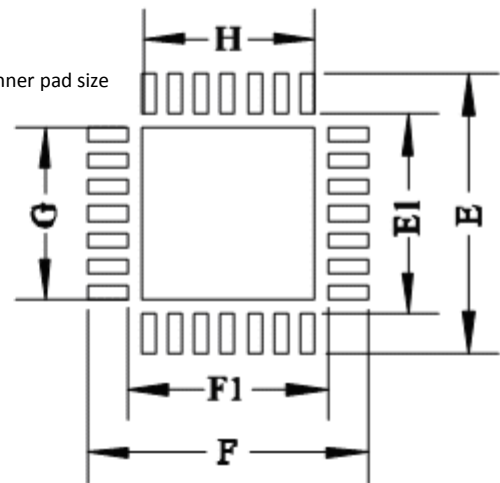
The top of the adapter has surface mount pads to which the surface mount device can be soldered.

The underside of the adapter has male DIP pins on 2.54mm pitch. These can either be soldered into a PCB or mated with any standard DIP socket.



Exploded View

G and H refer to inner pad size



Note: Pad layout and number of pins shown are for illustration only.

All dimensions in mm and may be subject to change without prior notice.

Adapter Dimension Table

Part Number	Body Size (mm)	Number of Pins	A	B	C (lead pitch)	D	E	E1	F	F1	G	H
W13062	3 x 3	4(2x2)	5.08	10.16	0.4mm	7.62	3.75	1.65	3.75	1.65	1.25	1.25
W13041		6(3x2)	7.62	10.16	0.4mm	7.62	1.40	0.20	1.40	0.20	NP*	NP*
W13028		8(4x2)	10.16	10.16	1.27mm	7.62	6.85	3.85	NP*	NP*	NP*	NP*
W13082	2 x 2	8	10.16	10.16	0.5mm	7.62	2.80	1.20	2.80	1.20	0.80	0.80
W13088	3 x 3	8	10.16	10.16	0.65mm	7.62	3.80	2.20	3.80	2.20	1.80	1.80
W13024	3 x 3	8(4x2)	10.16	10.16	0.8mm	7.62	4.55	2.65	NP*	NP*	NP*	NP*
W13063	4 x 5	10(3x2)	12.70	10.16	0.8mm	7.62	4.85	2.75	5.85	3.75	2.30	3.30
W13046	4 x 4	12	15.24	10.16	0.8mm	7.62	4.65	2.75	4.65	2.75	2.25	2.25
W13083	3 x 3	12	15.24	10.16	0.5mm	7.62	3.80	2.20	3.80	2.20	1.25	1.25
W13084	3 x 3	12	15.24	10.16	0.65mm	7.62	4.80	3.20	4.80	3.20	2.80	1.80
W13064	2.6 x 2.6	14(4x3)	17.78	10.16	0.5mm	7.62	3.30	1.90	3.30	1.90	1.45	1.45
W13094	4 x 4	14(4x3)	17.78	10.16	0.8mm	7.62	4.85	2.75	4.85	2.75	2.30	2.30
W13102	3 x 3	16	20.32	10.16	0.5mm	7.62	3.75	2.05	3.75	2.05	1.25	1.25
W13089	4 x 4	16	20.32	10.16	0.65mm	7.62	4.80	3.00	4.80	3.00	2.40	2.40
W13095	5 x 5	16	20.32	17.78	0.8mm	15.24	5.75	4.05	5.75	4.05	3.20	3.20
W13065	5 x 4	18(5x4)	22.86	10.16	0.65mm	7.62	4.75	2.65	5.75	3.65	2.25	3.25
W13096	6 x 5	18(5x4)	22.86	10.16	0.8mm	7.62	5.75	3.65	6.75	4.65	3.25	4.25
W13023	4 x 4	20	25.40	10.16	0.5mm	7.62	4.30	2.70	4.30	2.70	NP*	NP*
W13090	5 x 5	20	25.40	10.16	0.65mm	7.62	5.75	3.65	5.75	3.65	3.00	3.00
W13097	6 x 6	20	25.40	17.78	0.8mm	15.24	6.75	4.65	6.75	4.65	4.25	4.25
W13066	6 x 5	22(6x5)	27.94	17.78	0.65mm	15.24	5.85	3.75	6.85	4.75	3.25	4.25
W13052	4 x 4	24	30.48	10.16	0.5mm	7.62	4.60	3.00	4.60	3.00	NP*	NP*
W13039	5 x 4	24(7x5)	30.48	10.16	0.5mm	7.62	4.85	2.75	5.85	3.75	2.25	3.25
W13091	5 x 5	24	30.48	10.16	0.65mm	7.62	5.80	4.00	5.80	4.00	3.25	3.25
W13098	6 x 6	24(7x5)	30.48	17.78	0.8mm	15.24	6.85	4.75	6.85	4.75	4.30	4.30
W13076	4 x 4	28	35.56	10.16	0.4mm	7.62	4.75	3.05	4.75	3.05	2.25	2.25
W13038	6 x 6	28	35.56	17.78	0.65mm	15.24	6.90	4.90	6.90	4.90	NP*	NP*
W13077	5 x 5	28	35.56	15.24	0.5mm	7.62	5.80	3.80	5.80	3.80	3.25	3.25
W13099	7 x 7	28	35.56	17.78	0.8mm	15.24	7.85	5.75	7.85	5.75	5.25	5.25

Note: Pad layout and number of pins shown are for illustration only.

All dimensions in mm and may be subject to change without prior notice.

W13020	5 x 5	32	40.64	10.16	0.5mm	7.62	5.80	4.00	5.80	4.00	3.25	3.25
W13092	7 x 7	32	40.64	17.78	0.65mm	15.24	7.80	5.60	7.80	5.60	4.85	4.85
W13100	8 x 8	32	40.64	17.78	0.8mm	15.24	8.75	6.65	8.75	6.65	6.25	6.25
W13067	6 x 6	36	45.72	17.78	0.5mm	15.24	6.75	4.65	6.75	4.65	4.00	4.00
W13093	8 x 8	36	45.72	17.78	0.65mm	15.24	8.80	7.20	8.80	7.20	6.80	6.80
W13101	9 x 9	36	45.72	17.78	0.8mm	15.24	9.80	7.60	9.80	7.60	NP*	NP*
W13026	5 x 7	38	45.72	10.16	0.5mm	7.62	5.70	4.10	7.70	6.10	NP*	NP*
W13068	5 x 5	40	50.80	10.16	0.4mm	7.62	5.75	4.05	5.75	4.05	3.40	3.40
W13075	6 x 6	40	50.80	17.78	0.5mm	15.24	6.80	4.90	6.80	4.90	4.20	4.20
W13085	8 x 8	40	50.80	17.78	0.65mm	15.24	8.75	6.65	8.75	6.65	6.25	6.25
W13054	7 x 7	44	55.88	17.78	0.5mm	15.24	7.80	5.60	7.80	5.60	4.85	4.85
W13086	9 x 9	44	55.88	17.78	0.65mm	15.24	9.80	8.20	9.80	8.20	NP*	NP*
W13069	6 x 6	48	60.96	17.78	0.4mm	15.24	6.75	4.85	6.75	4.85	4.40	4.40
W13078	7 x 7	48	60.96	17.78	0.5mm	15.24	7.75	6.05	7.75	6.05	5.25	5.25
W13087	9 x 9	48	60.96	17.78	0.65mm	15.24	9.80	8.20	9.80	8.20	7.80	7.80
W13070	8 x 8	52	66.04	17.78	0.5mm	15.24	8.75	6.65	8.75	6.65	6.25	6.25
W13071	7 x 7	56	71.12	17.78	0.4mm	15.24	7.75	5.85	7.75	5.85	5.40	5.40
W13079	8 x 8	56	71.12	17.78	0.5mm	15.24	8.80	7.00	8.80	7.00	6.25	6.25
W13080	9 x 9	60	76.20	17.78	0.5mm	15.24	9.80	8.20	9.80	8.20	7.80	7.80
W13072	9 x 9	64	81.28	17.78	0.5mm	15.24	9.80	8.00	9.80	8.00	7.45	7.45
W13081	10 x 10	68	86.36	17.78	0.5mm	15.24	10.75	8.65	10.75	8.65	7.85	7.85
W13103	10 x 10	72	91.44	17.78	0.5mm	15.24	10.80	9.00	10.80	9.00	8.45	8.45
W13074	12 x 12	80	101.60	17.78	0.5mm	15.24	12.75	10.65	12.75	10.65	10.25	10.25

NP* - Adapter contains no central GND pad

<i>US Office</i>		<i>European Office</i>	
Address	Winslow Adaptics Inc Venetia Bay Boulevard Suite 212 Venice FL 34292	Address	Winslow Adaptics Ltd Brecon Enterprise Park Brecon Powys UK LD3 8EF
Telephone	1866 WINSLOW (Toll free)	Telephone	44 (0) 1874 625555
Fax	941 483 3209	Fax	44 (0) 1874 625500
Email	sales@winslowadaptics.com	Email	sales@winslowadaptics.co.uk
Web	www.winslowadaptics.com	Web	www.winslowadaptics.co.uk