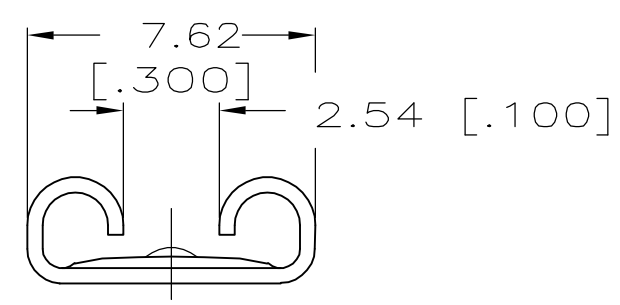
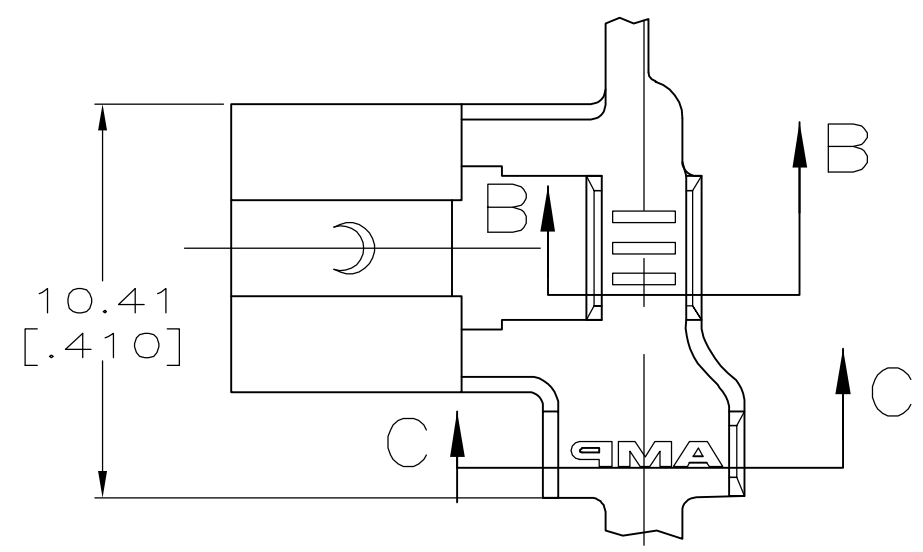


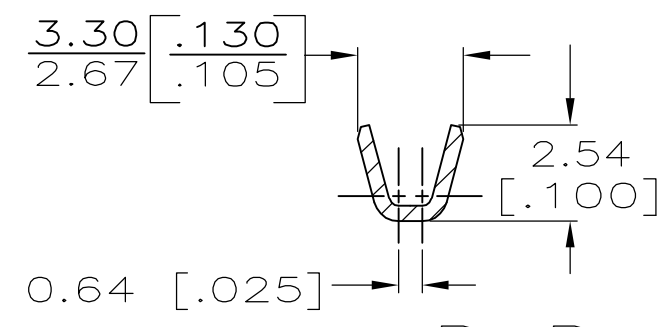
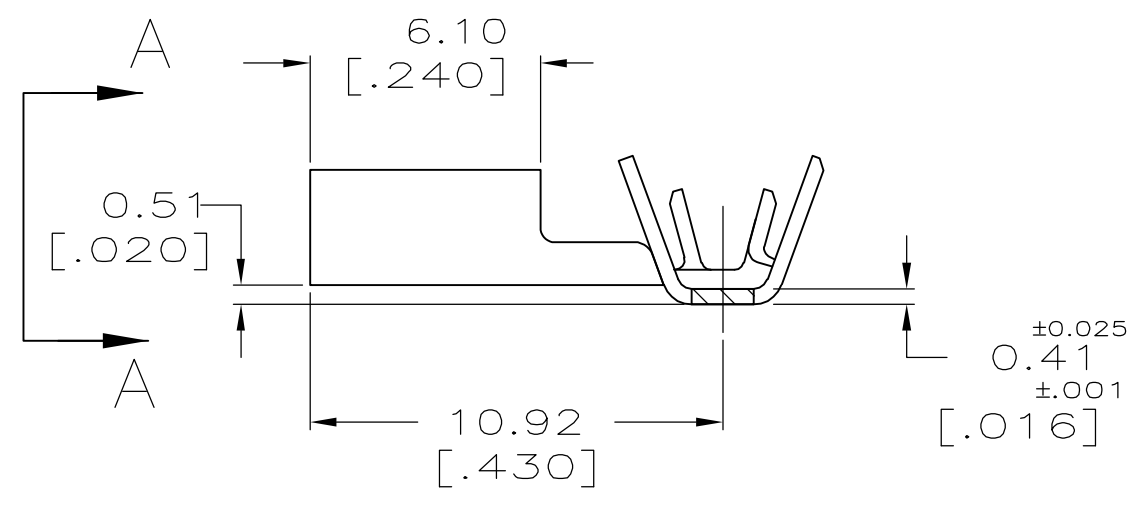
THIS DRAWING IS UNPUBLISHED. RELEASED FOR PUBLICATION
 © COPYRIGHT BY TYCO ELECTRONICS CORPORATION. ALL RIGHTS RESERVED.

LOC	DIST	REVISIONS			
P	LTR	DESCRIPTION	DATE	DWN	APVD
AF	50	C	REVISED AF-7656	10/9/91	JR MS

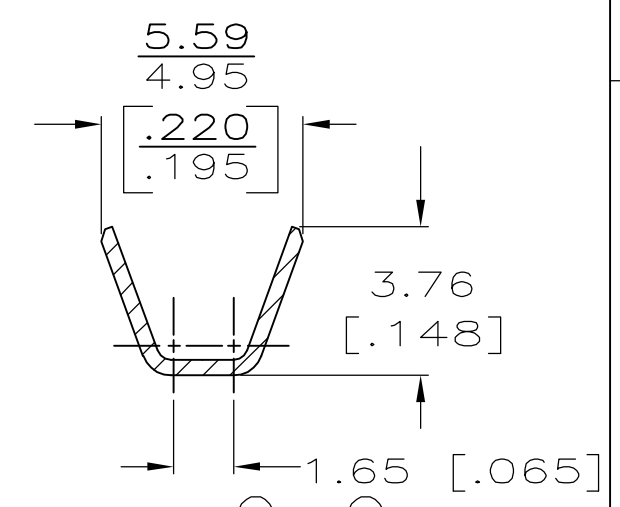
- 1 CONTINUOUS STRIP ON REELS.
- 2 WIRE SIZE 0.3-0.9mm² [22-18] AWG
- 3 INSULATION RANGE IS 1.52-2.54 [.060-.100] DIA.
- 4 MATING TAB THK IS 0.81±0.025 [.032±.001]



VIEW A-A



SECTION B-B



SECTION C-C

TIN	62813-2
-	62813-1
FINISH	PART NO.

THIS DRAWING IS A CONTROLLED DOCUMENT.		DWN JR RUTH 4/8/91	Tyco Electronics Corporation Harrisburg, Pa 17105-3608				
DIMENSIONS: MM [INCHES]		CHK MS FEHER 4/8/91					
TOLERANCES UNLESS OTHERWISE SPECIFIED:		APVD R KUZO 4/8/91	NAME				
0 PLC ± - 1 PLC ± - 2 PLC ± - 3 PLC ± 0.38 [.015] 4 PLC ± - ANGLES ± -		PRODUCT SPEC -	RECEPTACLE, FASTON, FLAG, 6.35 [.250] SERIES				
MATERIAL 4M BRASS		FINISH SEE TABLE	APPLICATION SPEC -	SIZE A3	CAGE CODE 00779	DRAWING NO C-62813	RESTRICTED TO -
CUSTOMER DRAWING			WEIGHT -	SCALE 5:1	SHEET 1 OF 1	REV C	