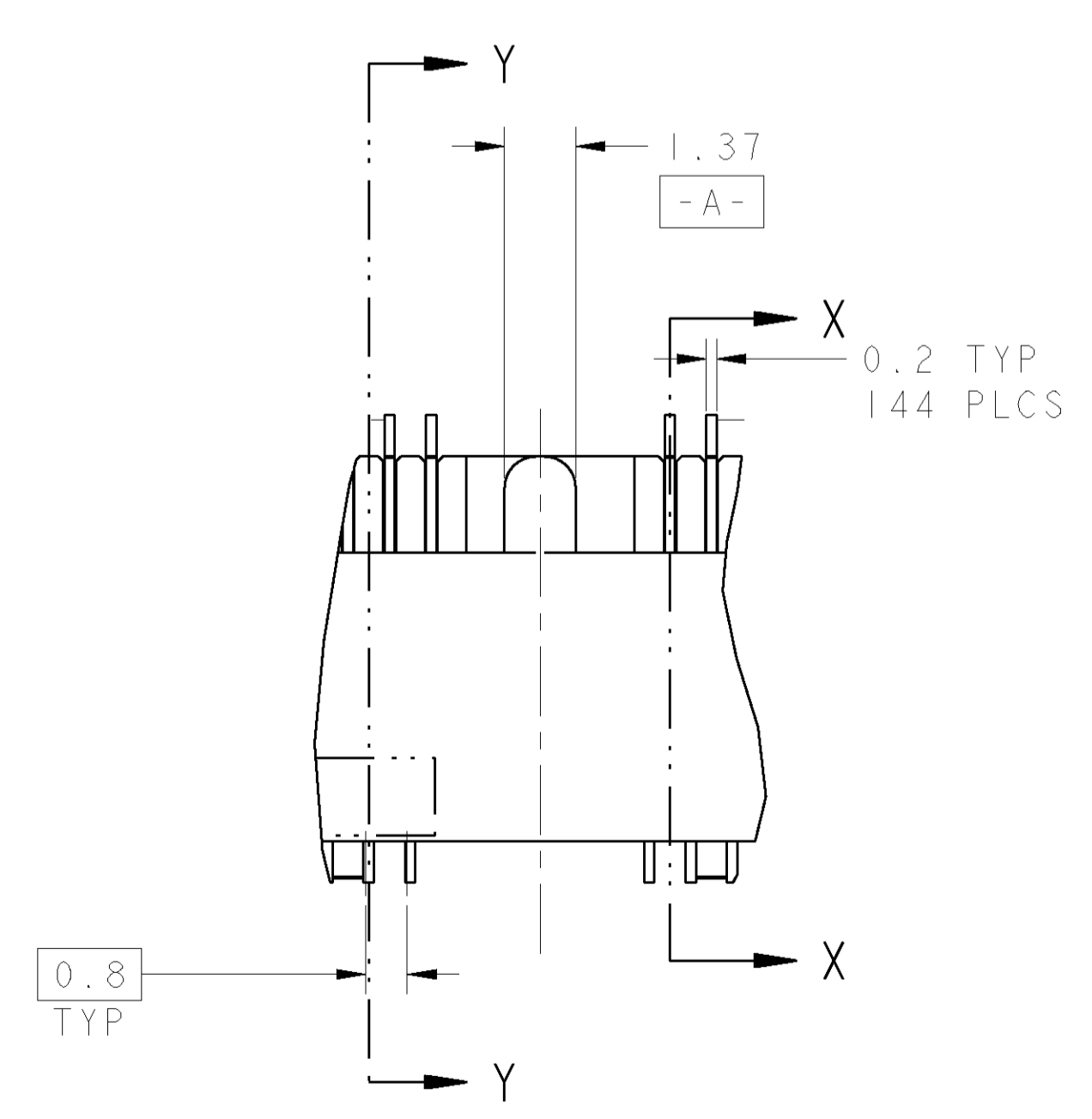
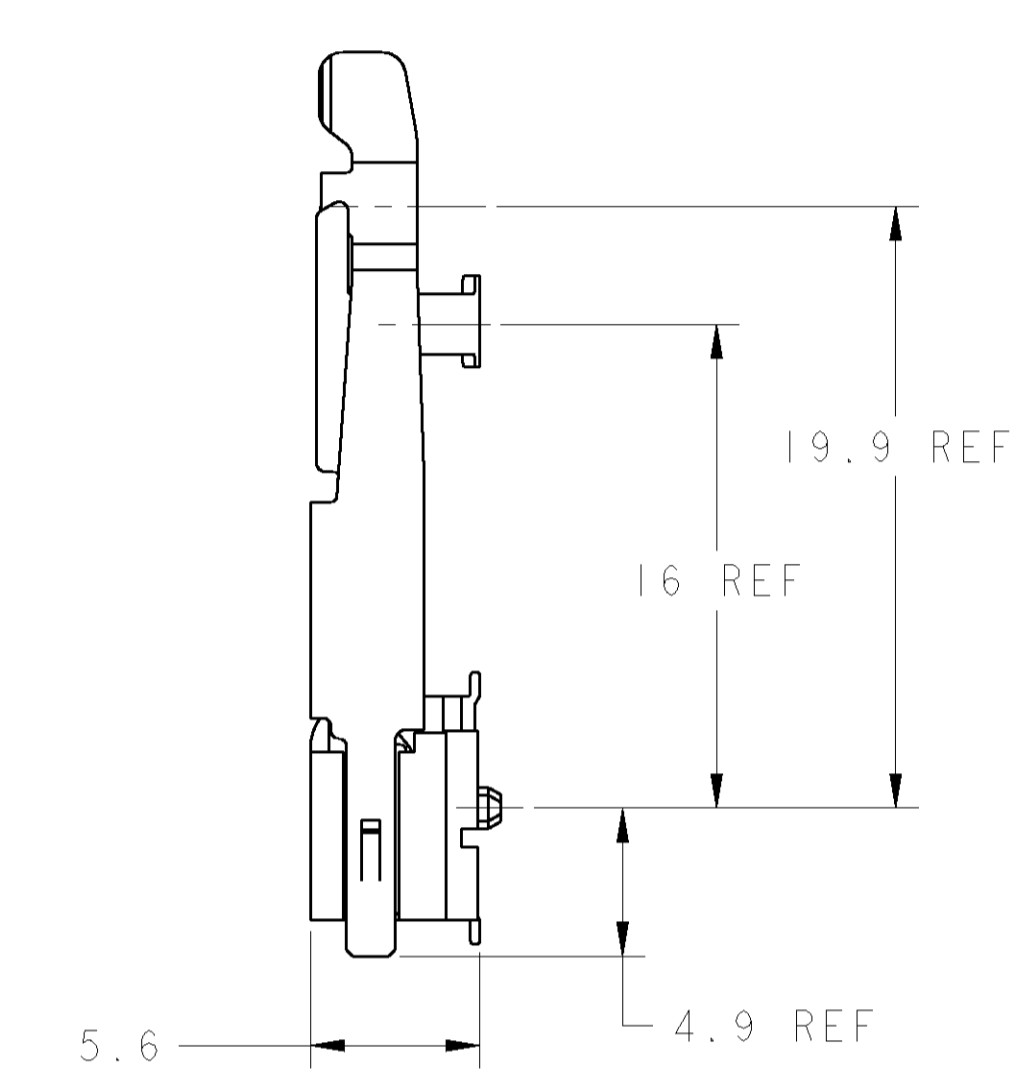
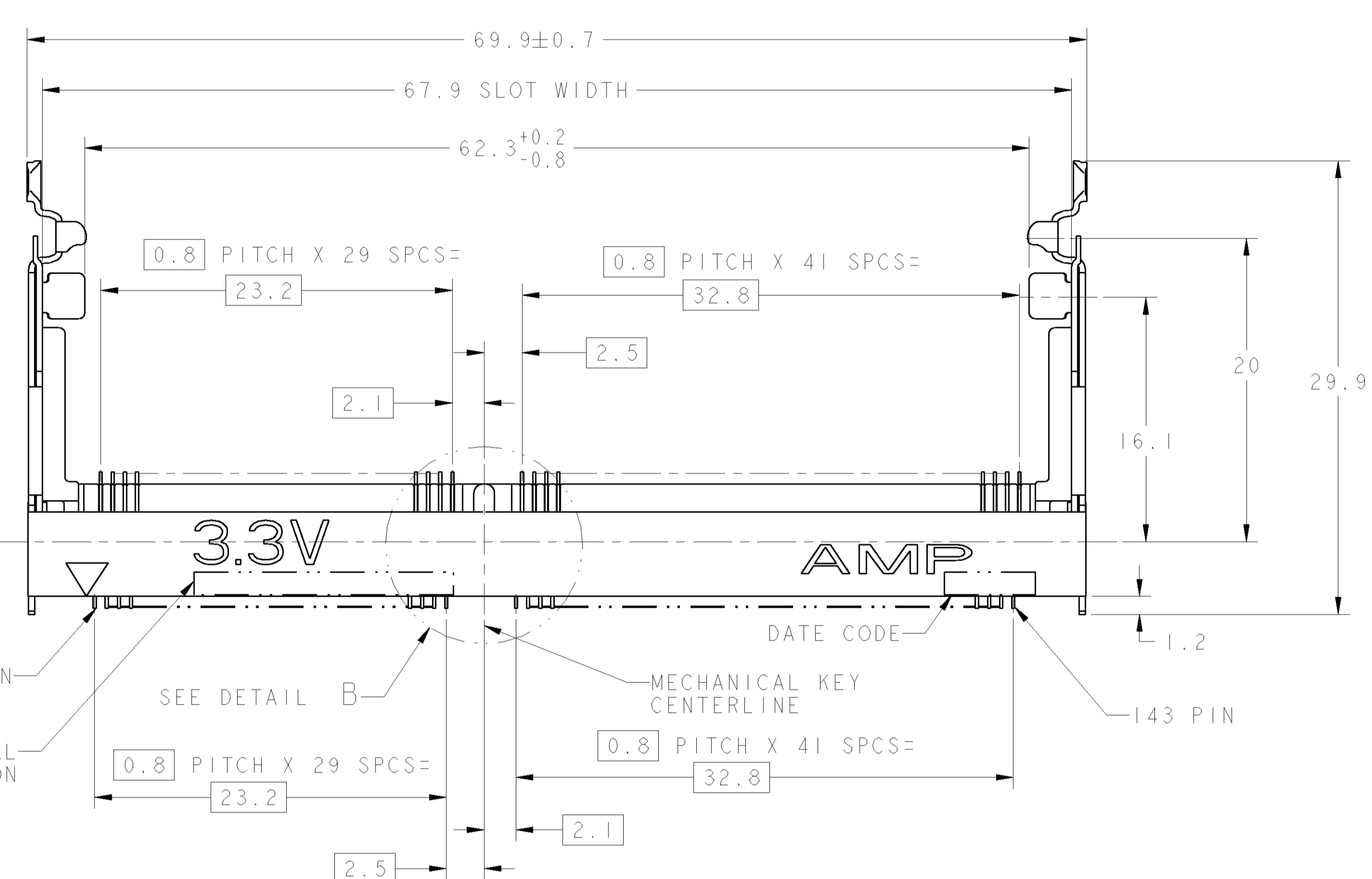
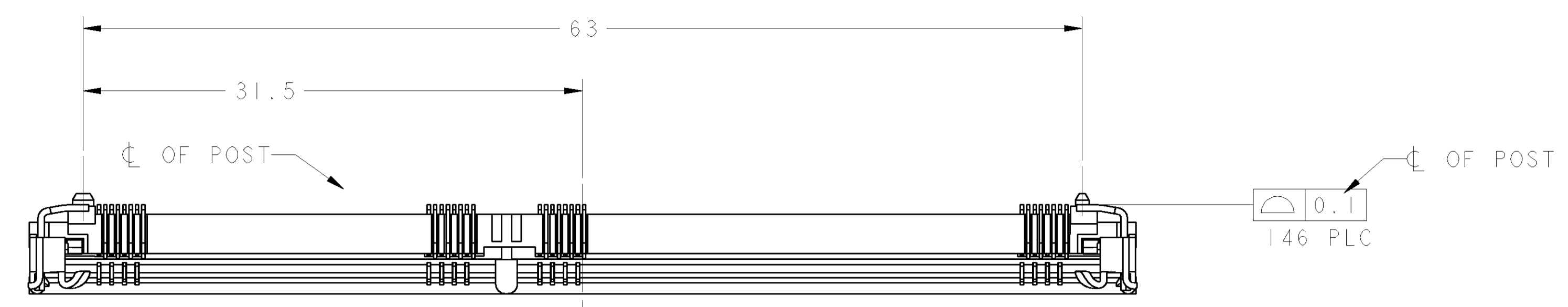
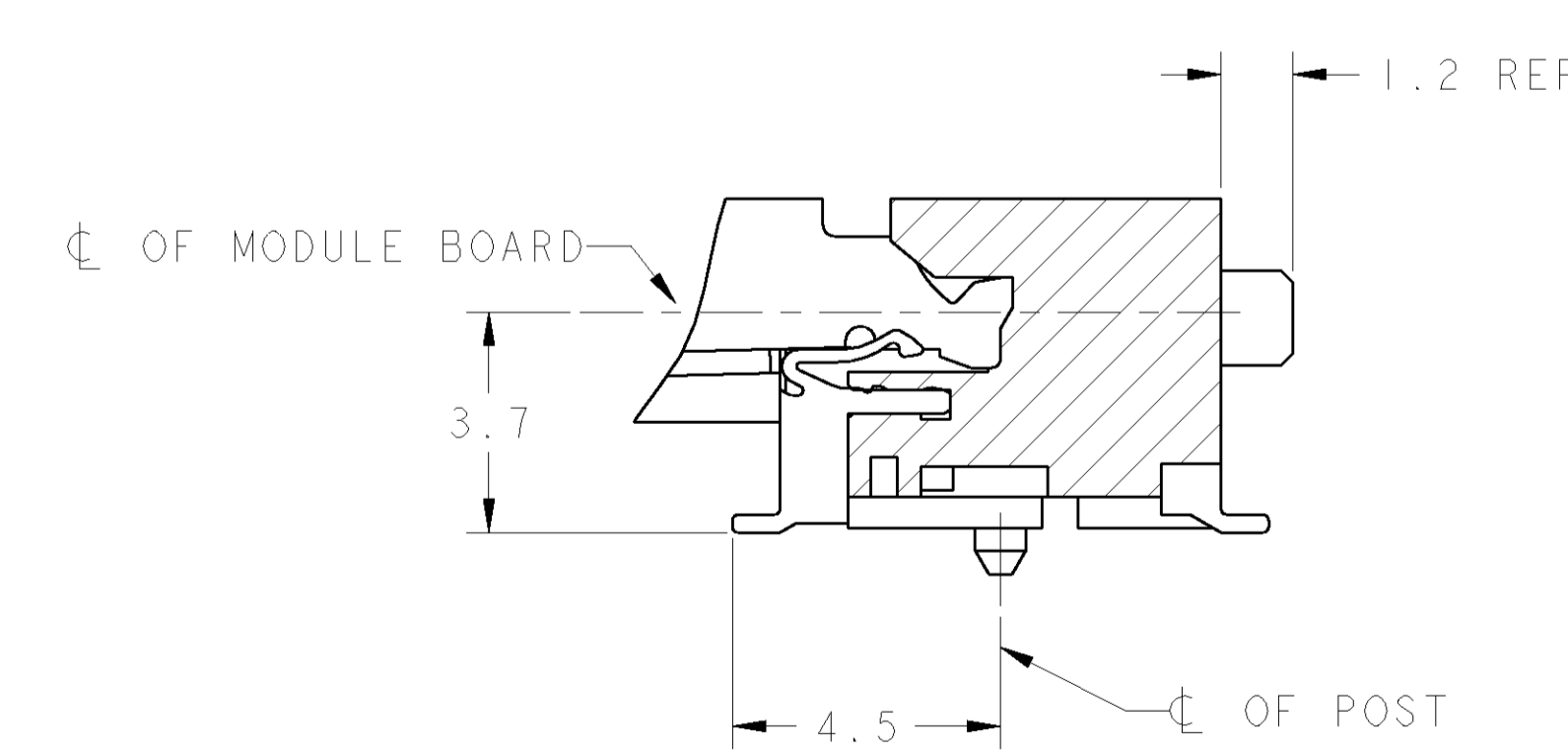


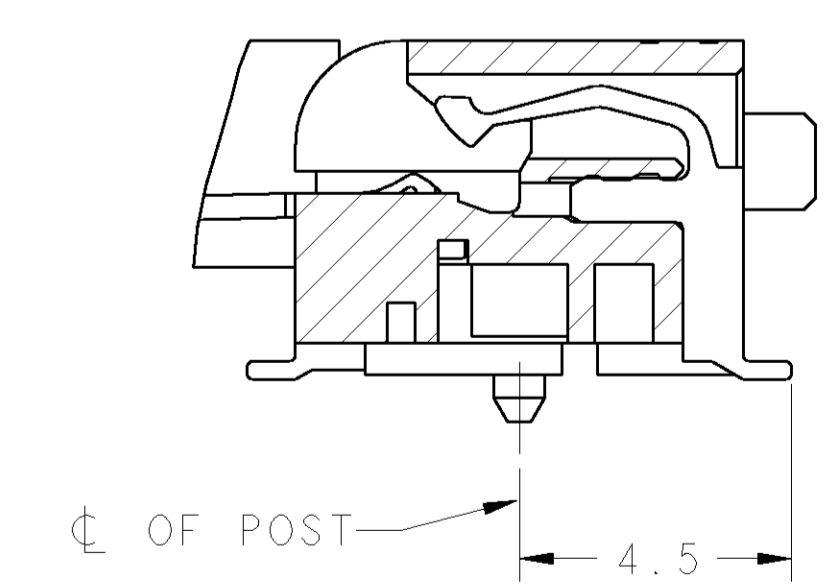
LOC	DIST	REVISIONS			
F	LTR	DESCRIPTION	DATE	DNM	APRD
P		REVISED ECR-05-006241	06JUL05	SYJ	LSF



DETAIL B  
SCALE 8:1



SECTION X-X  
ROTATED 90° CCW  
SCALE 8:1



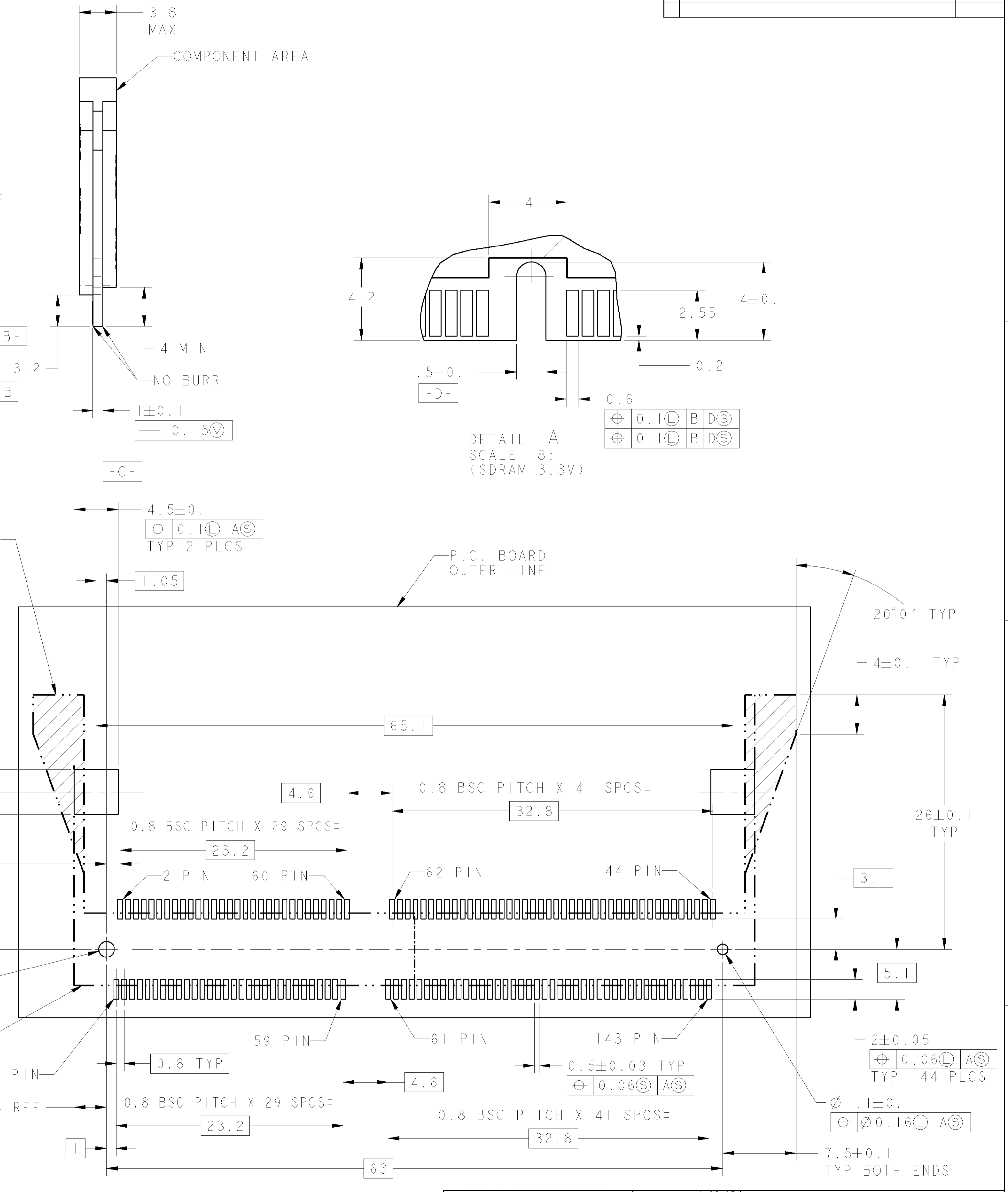
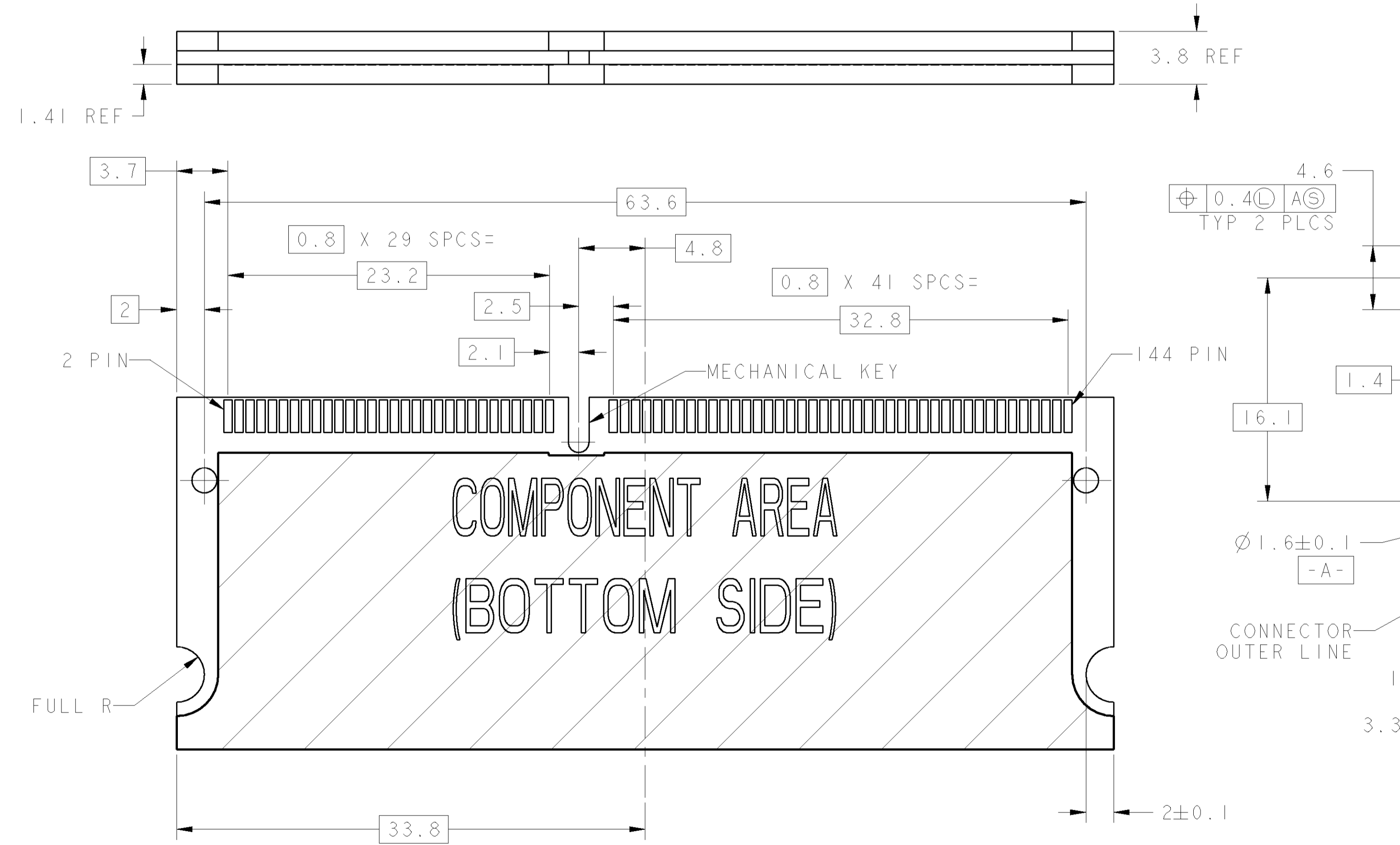
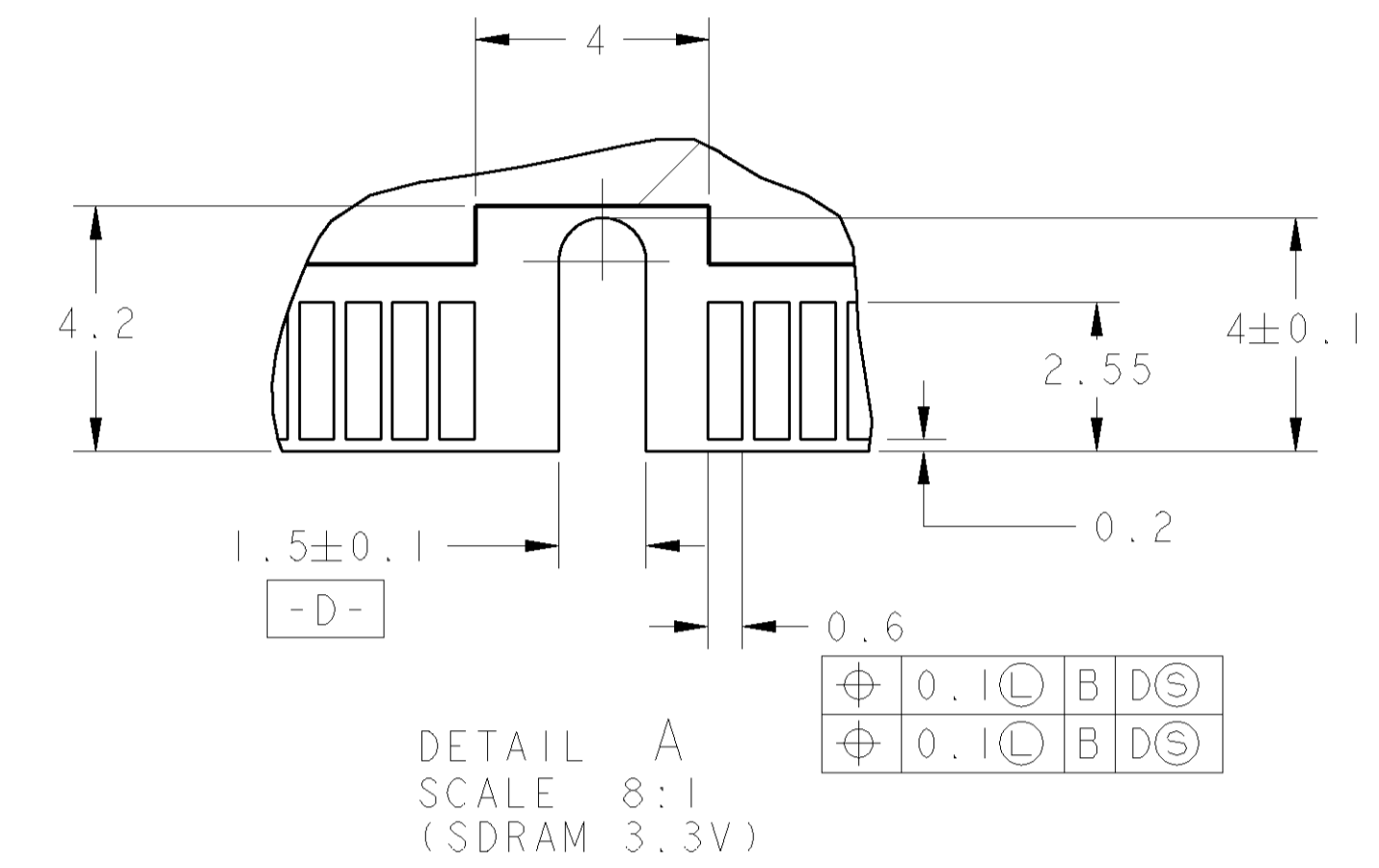
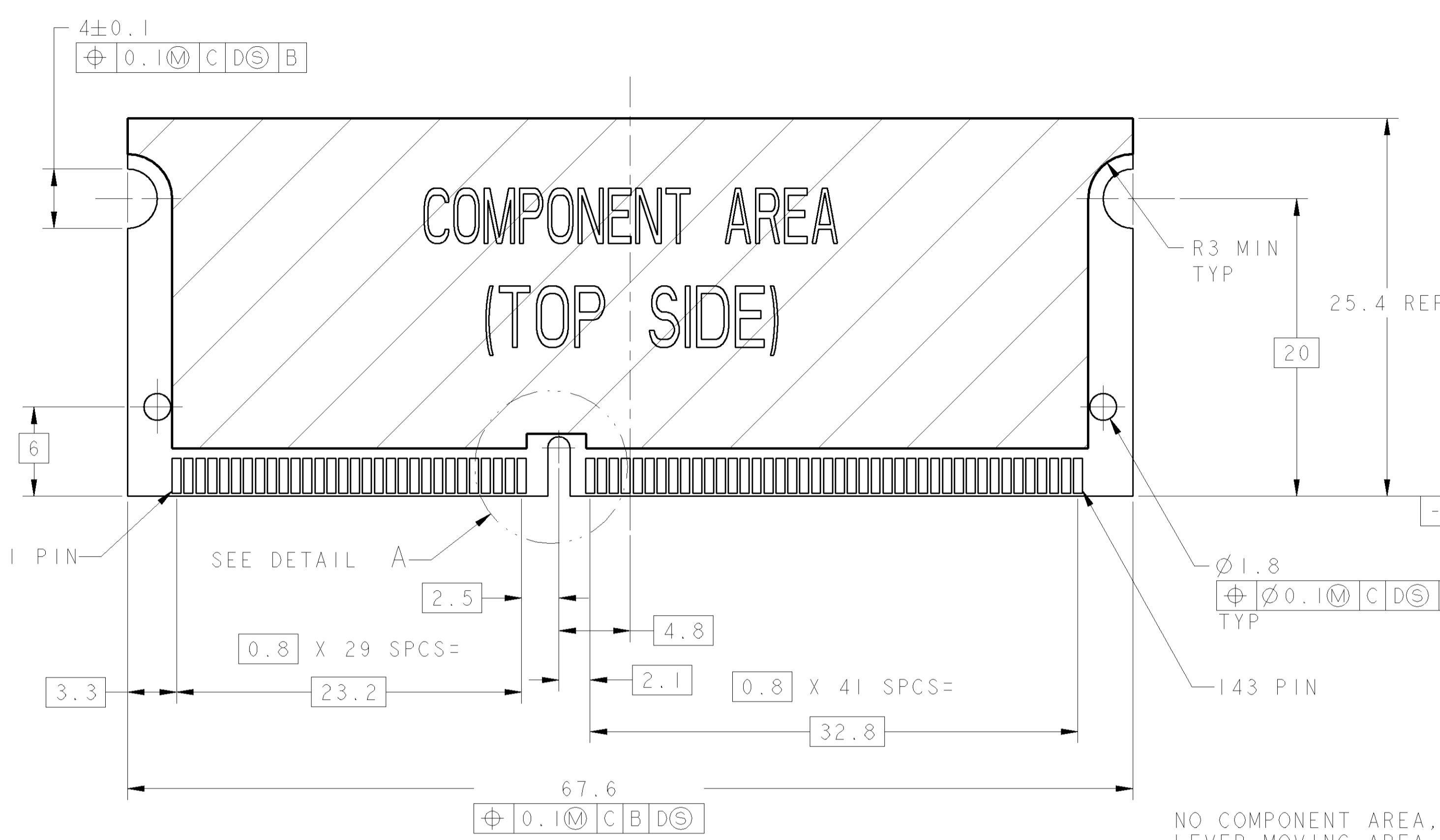
SECTION Y-Y  
ROTATED 90° CCW  
SCALE 8:1

- 1 MATERIAL, HIGH TEMPERATURE PLASTIC, UL94V-0  
CONTACT: COPPER ALLOY  
LATCH: STAINLESS STEEL, TIN PLATING.
- 2 FINISH; CONTACT AREA: 0.00025 MIN GOLD PLATE ON  
0.001 MIN ALL OVER NICKEL  
SOLDERING AREA: 0.00005 MIN TO 0.00030 MAX  
GOLD PLATE
- 3. TOLERANCES NON-ACCUMULATIVE.
- 4 PACKAGED IN HARD TRAY.
- 5 FINISH; CONTACT AREA: 0.00025 MIN GOLD PLATE ON  
0.001 MIN ALL OVER NICKEL  
SOLDERING AREA: BRIGHT TIN LEAD PLATE.
- 6 PART PACKAGED PER EIA-1S704 STANDARD. REEL  
DIAMETER SHALL BE 330mm, TAPE WIDTH SHALL BE  
88mm, AND TAPE PITCH SHALL BE 36mm.
- 7 LATCH PLATING: TIN-LEAD FOR P/N: 8-390112-1 ONLY  
(IDENTICAL TO PREVIOUS P/N: 390112-1)

SUPERSEDED BY	REMARKS	COLOR	FINISH	POS	PART NO.
NIL	AVAILABLE	NATURAL	△△	144	8-390112-1
NIL	AVAILABLE	BLACK	△	144	7-390112-1
NIL	AVAILABLE	NATURAL	△	144	6-390112-1
3-390112-1	NOT AVAILABLE	NATURAL	△	144	3-390112-4
NIL	AVAILABLE	NATURAL	△	144	3-390112-1
390112-1	NOT AVAILABLE	NATURAL	△	144	390112-4
NIL	AVAILABLE	NATURAL	△	144	390112-1

<small>THIS DRAWING IS A CONTROLLED DOCUMENT FOR AMP INCORPORATED. ALL INFORMATION CONTAINED HEREIN IS UNCLASSIFIED EXCEPT WHERE SHOWN OTHERWISE. FOR MORE INFORMATION CONTACT THE CONTROLLING OFFICE OR THE QUALIFICATION SHOULD BE CONTACTED FOR THE LATEST REVISION.</small>		DWN: W. SORAH CHK: ALAN ANG APD: SE LEONG	6-23-97 01-21-02	<b>AMP</b> MANUFACTURING (SINGAPORE) PTE., LTD.	
DIMENSIONS: mm	TOLERANCES UNLESS OTHERWISE SPECIFIED: 0 PLC ±0.2 1 PLC ±0.2 2 PLC ±0.2 3 PLC ±0.2 4 PLC ±0.2 ANGLES ±	NAME: S.O. PRODUCT SPEC: - APPLICATION SPEC: - FINISH: SEE TABLE	NAME: S.O. DIMM SOCKET ASSY, 0.8mm, 3.3V, 144 POSITION, HIGH PROFILE FOR SDRAM TYPE MODULE	SIZE: A1 CASE CODE: 00779 DRAWING NO: C=390112	RESTRICTED TO: - SCALE: 4:1 SHEET: 1 OF 2 REV: P

LOC	DIST	REV	DESCRIPTION	DATE	DNM	APRD
2						
1						
			SEE SHEET 1			



RECOMMENDED P.C. BOARD PATTERN LAYOUT (CONNECTOR MOUNTING SIDE)

<small>THIS DRAWING IS A CONTROLLED DOCUMENT FOR AMP INCORPORATED. ALL RIGHTS RESERVED. ANY REPRODUCTION OR DISSEMINATION OF THIS DOCUMENT WITHOUT THE WRITTEN PERMISSION OF AMP INCORPORATED IS STRICTLY PROHIBITED.</small>		DWN: W. SORAH CHK: ALAN ANG APD: SE LEONG	6-23-97 1-21-02	<b>AMP</b> AMP MANUFACTURING (SINGAPORE) PTE. LTD.
DIMENSIONS: mm	TOLERANCES UNLESS OTHERWISE SPECIFIED: 0 PLC ±0.2 1 PLC ±0.2 2 PLC ±0.2 3 PLC ±0.2 4 PLC ±0.2 ANGLES ±°	NAME: S.O. DIMM SOCKET ASSY, 0.8mm, 3.3V, 144 POSITION, HIGH PROFILE FOR SDRAM TYPE MODULE PRODUCT SPEC: APPLICATION SPEC: SIZE: A1 CAGE CODE: 00779 DRAWING NO: C-390112	RESTRICTED TO: SHEET 2 OF 2 REV P	SCALE: 4:1
MATERIAL:	FINISH: SEE TABLE	WEIGHT: - CUSTOMER DRAWING	DATE: 6-23-97 1-21-02	DRAWN: W. SORAH CHECKED: ALAN ANG APPROVED: SE LEONG