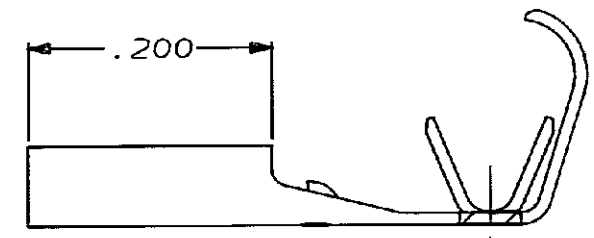
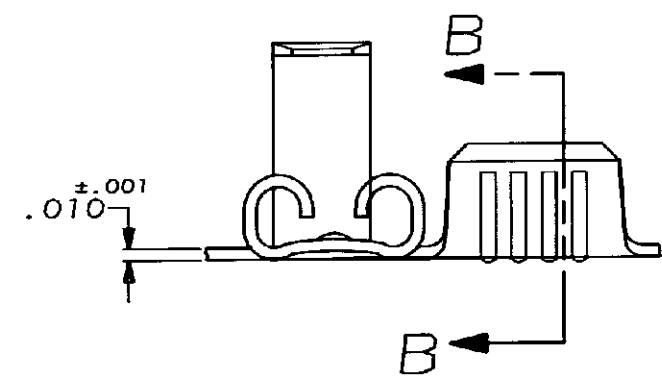
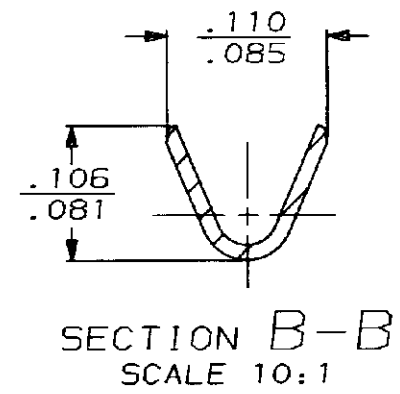
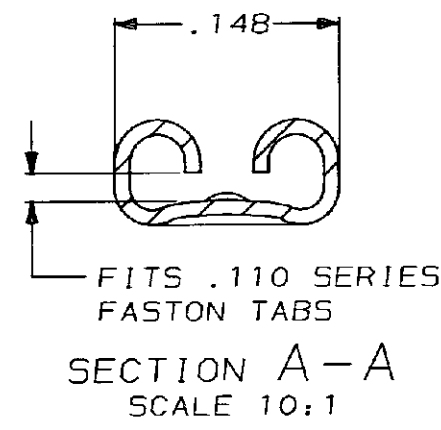
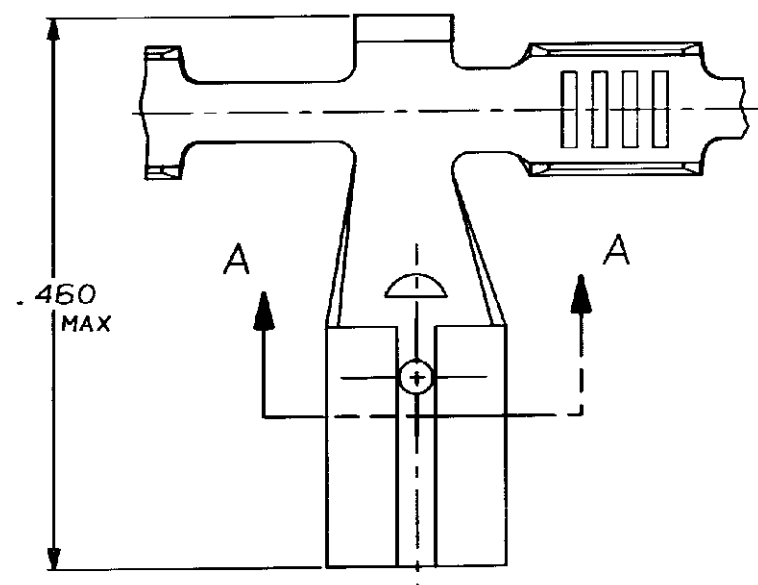


DRAWING MADE IN THIRD ANGLE PROJECTION

THIS DRAWING IS UNPUBLISHED. RELEASED FOR PUBLICATION .19
 © COPYRIGHT 19 BY AMP INCORPORATED. ALL INTERNATIONAL RIGHTS RESERVED.

LOC	DIST	P	F	REVISIONS			
ZONE	LTR	DESCRIPTION	DATE	APPD			
AF	50			B	REDRAWN AF-7403	4/24/91	JR

1 CONTINUOUS STRIP ON REELS



.065-.100 DIA	22-18 AWG	.020	61372-1
INSULATION RANGE	WIRE SIZE	MATING TAB THK ±.001	PART NO
DO NOT SCALE PRINT. UNLESS SPECIFIED DIMENSIONS ARE IN INCHES TOLERANCES ON: 2 PLC DEC ± - 3 PLC DEC ± .015 ANGLES ± -	DR 4/24/91 JR RUTH CHK 4/24/91 MS FEHER APPD 4/24/91 C MEYERS APPD 4/24/91 D REINER	AMP AMP Incorporated Harrisburg, PA 17105-3608	
MATERIAL #4H BRASS	PRODUCT SPEC -	NAME RECEPTACLE, FASTON, FLAG, .110 SERIES	
FINISH PRE-TIN	APPLICATION SPEC -	SIZE B	CAGE CODE 00779
	WEIGHT -	SCALE 8:1	DRAWING NO 61372
			SHEET 1 OF 1

CUSTOMER DRAWING