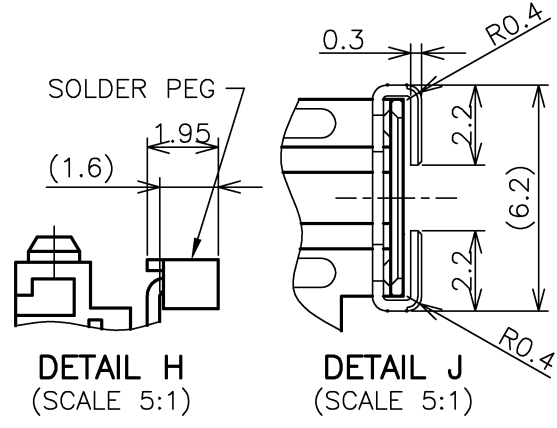
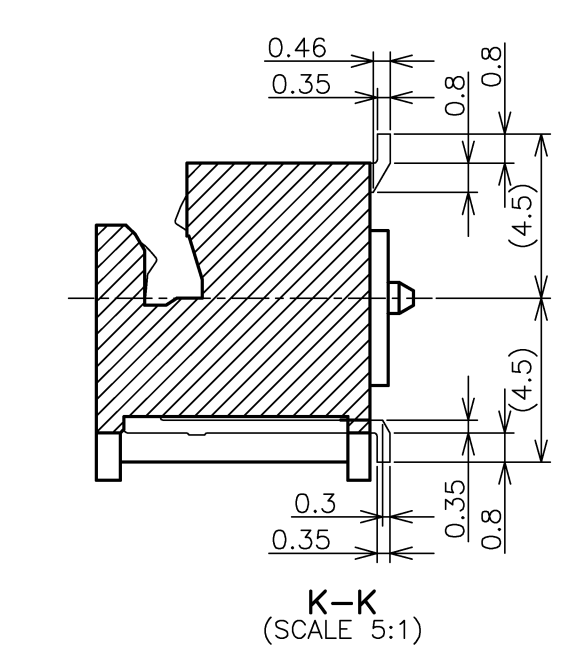
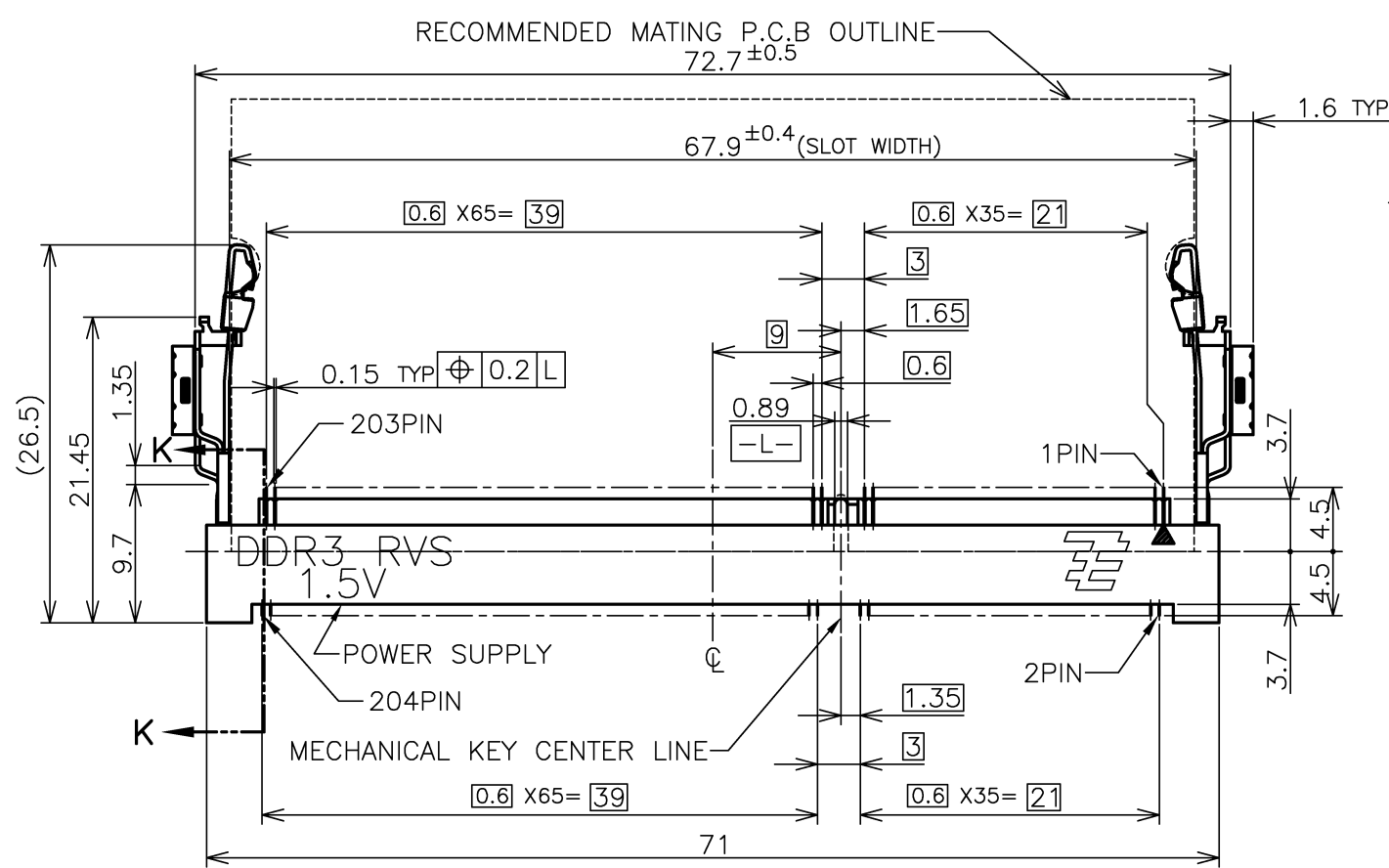
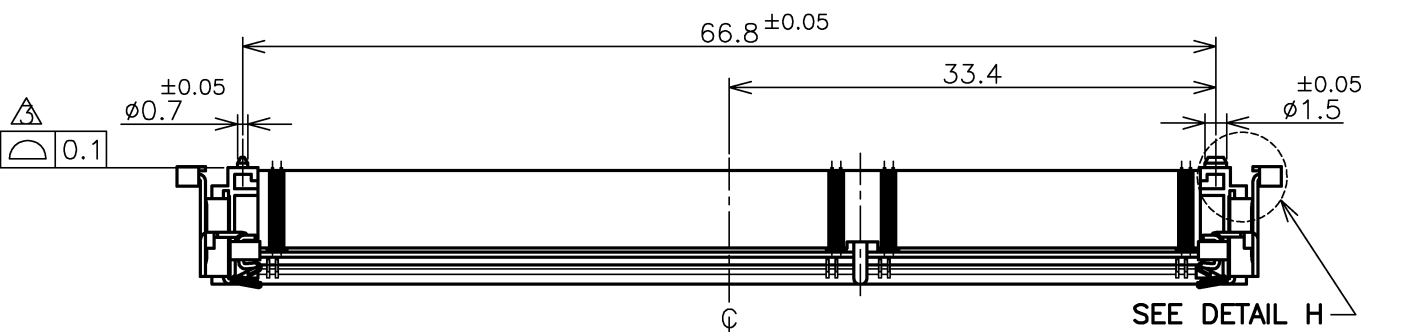
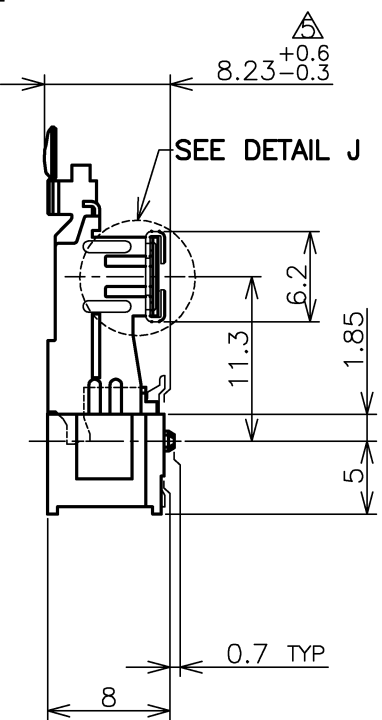


THIS DRAWING IS UNPUBLISHED. RELEASED FOR PUBLICATION SEP. 2007.
 © COPYRIGHT 2007 BY TYCO ELECTRONICS CORPORATION. ALL RIGHTS RESERVED.

LOC	DIST	REVISIONS					
P	LTR	DESCRIPTION	DATE	DWN	APVD		
J		C1	REVISED	ECR-08-019047	30JUL2008	T.F	K.I

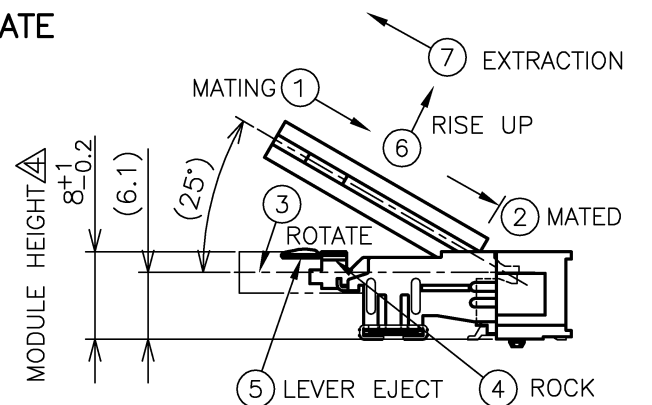


GENERAL TOLERANCE
 10 ≥ ± 0.2
 30 ≥ > 10: ± 0.25
 100 ≥ > 30: ± 0.3
 ANGLES: ± 3°



HOW TO MATE AND UNMATE

MATE: ① → ④
 UNMATE: ⑤ → ⑦



(APPLIED TO SHEET 1-3)

- MATERIAL ; HOUSING: HIGH TEMPERATURE THERMO PLASTIC UL94V-0
 COLOR: SEE TABLE
 CONTACT: COPPER ARROY
 LOCK LEVER: STAINLESS STEEL
 PEG: COPPER ARROY
 - 2-1. FINISH ; CONTACT AREA: GOLD FLASH
 ALL OVER NICKEL.
 SOLDERING AREA: GOLD FLASH PLATING
 PEG: TIN PLATING.
 - 2-2. FINISH ; CONTACT AREA: 0.000254MIN GOLD
 ALL OVER NICKEL.
 SOLDERING AREA: GOLD FLASH PLATING
 PEG: TIN PLATING.
 - 2-3. FINISH ; CONTACT AREA: 0.00076MIN GOLD
 ALL OVER NICKEL.
 SOLDERING AREA: GOLD FLASH PLATING
 PEG: TIN PLATING.
- △ COPLANARITY: 0.1 MAX. (BEFORE SOLDERING)
 △ THE FLOATING VALUE BY SOLDERING IS NOT INCLUDED.
 △ NOT MATING CONDITION.
6. IF THE MODULE DOESN'T INSERT AND LOCK IN THE LATCH SMOOTHLY,
 OPEN WIDE BOTH LATCHES BY MANUAL. AND THE MODULE MUST BE
 INSERTED AND LOCKED IN THE LATCH.

THIS DRAWING IS A CONTROLLED DOCUMENT.		DWN T.FUMIKURA 18SEP2007	Tyco Electronics Corporation Kawasaki, Japan	
DIMENSIONS: MM		CHK K.IKEGAMI 18SEP2007	NAME	
TOLERANCES UNLESS OTHERWISE SPECIFIED:		APVD K.IKEGAMI 18SEP2007	DDR3 SODIMM SOCKET 0.6mm PITCH 204POS 8.0mm HEIGHT REVERSE TYPE	
0 PLC ± 1 PLC ± 2 PLC ± 3 PLC ± 4 PLC ± ANGLES ±		PRODUCT SPEC 108-78493	SIZE A3	CAGE CODE 00779
MATERIAL		FINISH	DRAWING NO G-2013298	RESTRICTED TO
		WEIGHT 5.8g	SCALE 2:1	SHEET 1 OF 6
		CUSTOMER DRAWING	REV C1	

4

3

2

1

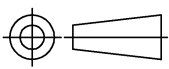
THIS DRAWING IS UNPUBLISHED. RELEASED FOR PUBLICATION SEP ,2007.
 © COPYRIGHT 2007 BY TYCO ELECTRONICS CORPORATION. ALL RIGHTS RESERVED.

LOC	DIST	REVISIONS			
P	LTR	DESCRIPTION	DATE	DWN	APVD
		SEE SHEET 1	-	-	-

TOOLING STATUS	PACKAGING TYPE	REMARK	HOUSING COLOR	FINISH	POWER SUPPLY	POS	PART NO.
AVAILABLE	ENBOSS (SEE SHEET 6)	BOSSLESS	GRAY	NOTE 2-3	1.5V	204	3-2013298-6
AVAILABLE	ENBOSS (SEE SHEET 6)	BOSSLESS	GRAY	NOTE 2-2	1.5V	204	3-2013298-5
AVAILABLE	ENBOSS (SEE SHEET 6)	BOSSLESS	GRAY	NOTE 2-1	1.5V	204	3-2013298-4
AVAILABLE	ENBOSS (SEE SHEET 6)	WITHBOSS	BLACK	NOTE 2-3	1.5V	204	2-2013298-3
AVAILABLE	ENBOSS (SEE SHEET 6)	WITHBOSS	BLACK	NOTE 2-2	1.5V	204	2-2013298-2
AVAILABLE	ENBOSS (SEE SHEET 6)	WITHBOSS	BLACK	NOTE 2-1	1.5V	204	2-2013298-1
AVAILABLE	SEMI-HARD TRAY (SEE SHEET 5)	BOSSLESS	GRAY	NOTE 2-3	1.5V	204	1-2013298-6
AVAILABLE	SEMI-HARD TRAY (SEE SHEET 5)	BOSSLESS	GRAY	NOTE 2-2	1.5V	204	1-2013298-5
AVAILABLE	SEMI-HARD TRAY (SEE SHEET 5)	BOSSLESS	GRAY	NOTE 2-1	1.5V	204	1-2013298-4
AVAILABLE	SEMI-HARD TRAY (SEE SHEET 5)	WITH BOSS	BLACK	NOTE 2-3	1.5V	204	2013298-3
AVAILABLE	SEMI-HARD TRAY (SEE SHEET 5)	WITH BOSS	BLACK	NOTE 2-2	1.5V	204	2013298-2
AVAILABLE	SEMI-HARD TRAY (SEE SHEET 5)	WITH BOSS	BLACK	NOTE 2-1	1.5V	204	2013298-1

THIS DRAWING IS A CONTROLLED DOCUMENT.

DIMENSIONS: MM



TOLERANCES UNLESS OTHERWISE SPECIFIED:

- 0 PLC ± 0.5
- 1 PLC ± 0.5
- 2 PLC ± 0.5
- 3 PLC ± 0.5
- 4 PLC ± 0.5
- ANGLES ± 3°

MATERIAL

FINISH

DWN
CHK
APVD
PRODUCT SPEC
APPLICATION SPEC
WEIGHT

Tyco Electronics Corporation Kawasaki, Japan	
NAME	
DDR3 SODIMM SOCKET 0.6mm PITCH 204POS 8.0mm HEIGHT REVERSE TYPE	
SIZE	RESTRICTED TO
A3	-
CAGE CODE	DRAWING NO
00779	C-2013298

CUSTOMER DRAWING

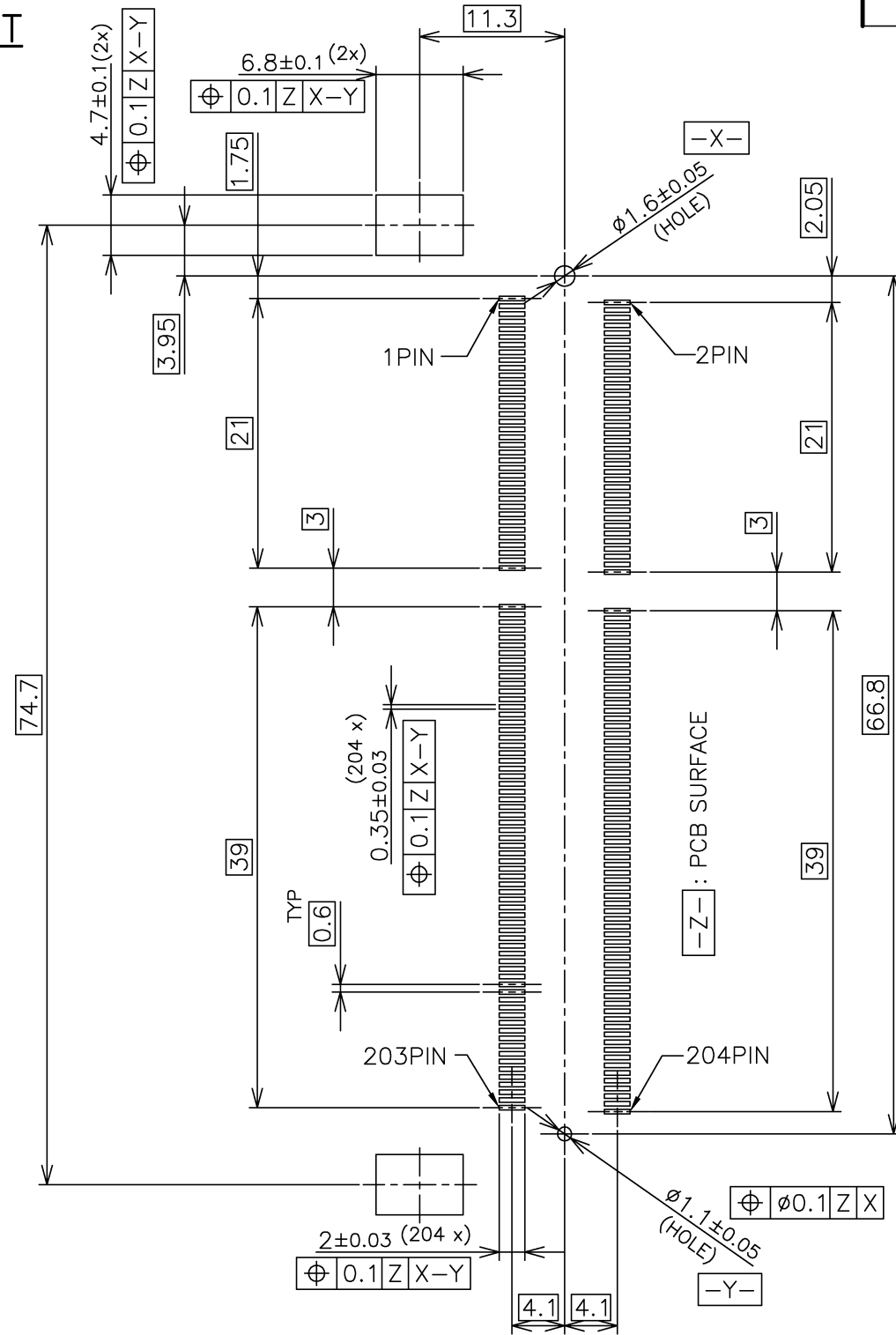
SCALE 2:1

SHEET 2 OF 6

REV C1

LOC	DIST	REVISIONS					
J		P	LTR	DESCRIPTION	DATE	DWN	APVD
		-		SEE SHEET 1	-	-	-

REFERENCE P.C.BOARD PATTERN LAYOUT (CONNECTOR MOUNTING SIDE)

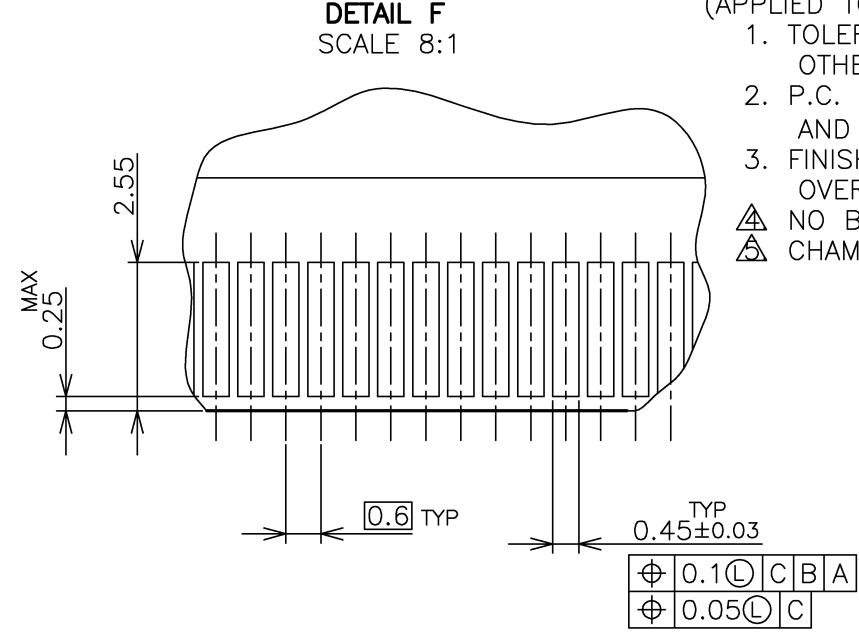
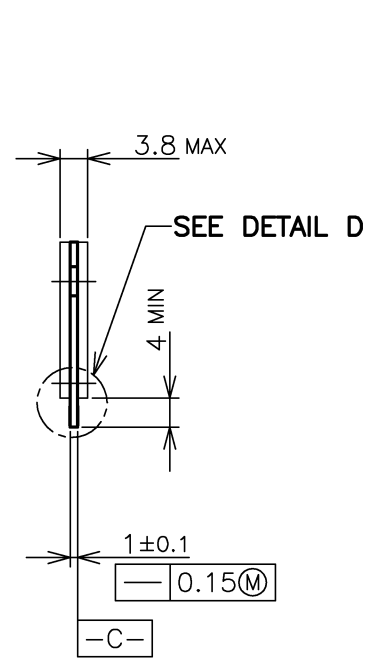
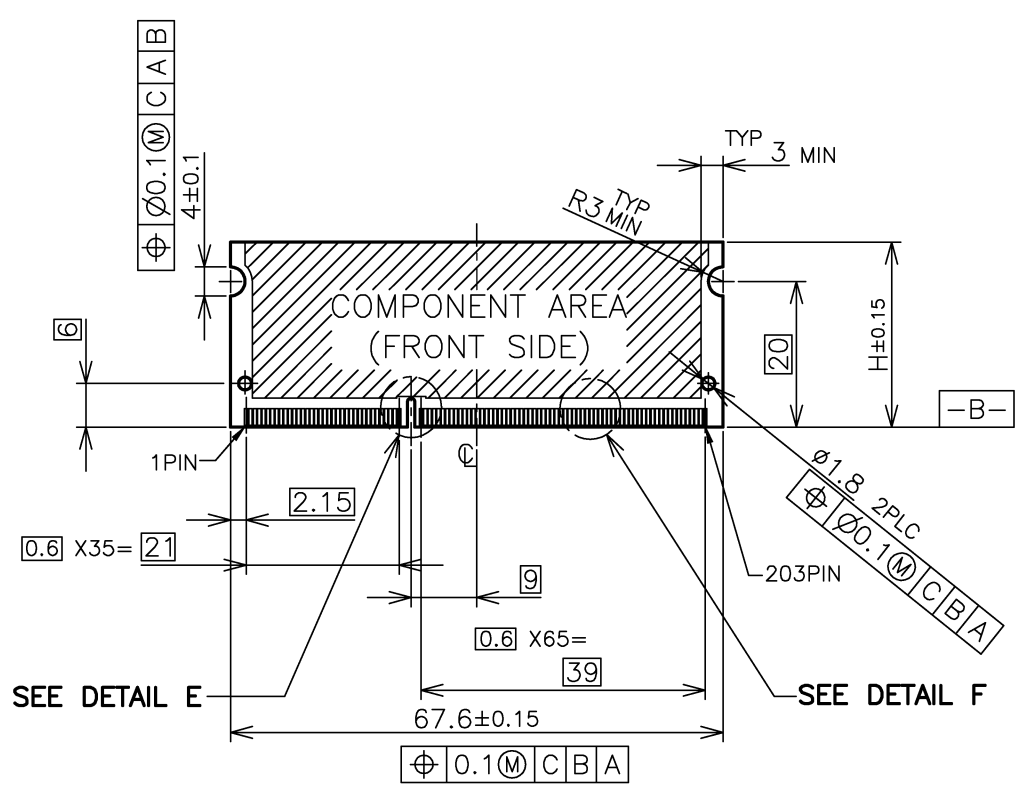


RVS TYPE

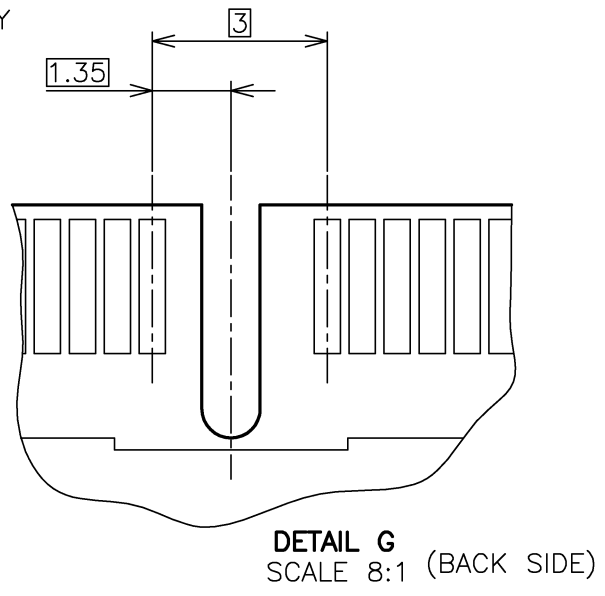
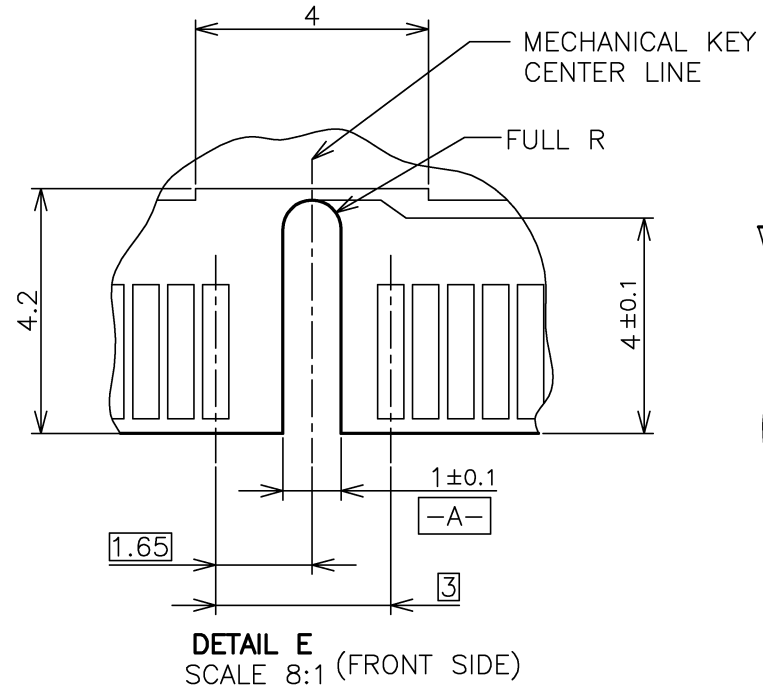
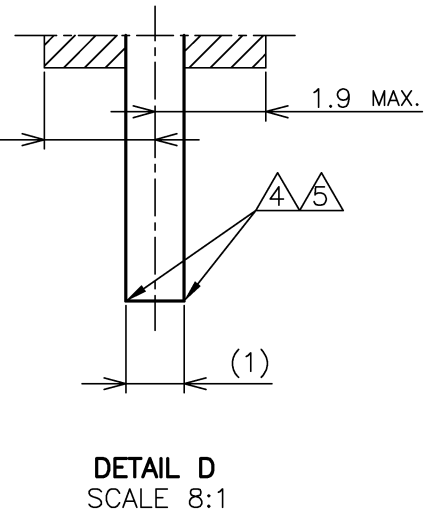
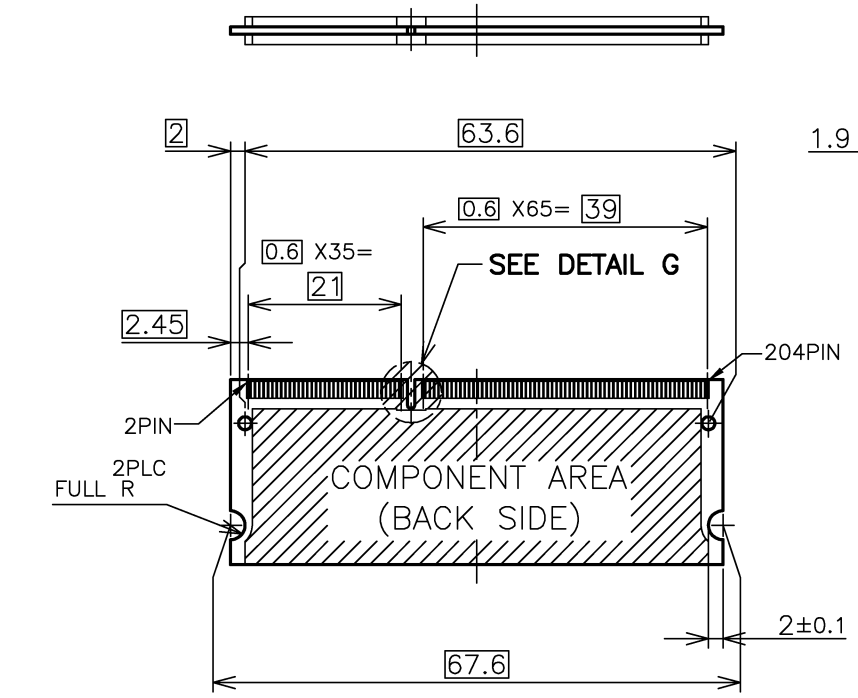
THIS DRAWING IS A CONTROLLED DOCUMENT.		DWN		Tyco Electronics Corporation Kawasaki, Japan									
DIMENSIONS: MM		TOLERANCES UNLESS OTHERWISE SPECIFIED:		NAME DDR3 SODIMM SOCKET 0.6mm PITCH 204POS 8.0mm HEIGHT REVERSE TYPE									
<ul style="list-style-type: none"> 0 PLC ± 1 PLC ± 2 PLC ± 3 PLC ± 4 PLC ± ANGLES ± 		FINISH		<table border="1"> <tr> <td>SIZE</td> <td>CAGE CODE</td> <td>DRAWING NO</td> <td>RESTRICTED TO</td> </tr> <tr> <td>A3</td> <td>00779</td> <td>2013298</td> <td>-</td> </tr> </table>		SIZE	CAGE CODE	DRAWING NO	RESTRICTED TO	A3	00779	2013298	-
SIZE	CAGE CODE	DRAWING NO	RESTRICTED TO										
A3	00779	2013298	-										
MATERIAL		WEIGHT		SCALE 2:1 SHEET 3 OF 6 REV C1									
CUSTOMER DRAWING													

LOC	DIST	REVISIONS					
J		P	LTR	DESCRIPTION	DATE	DWN	APVD
				SEE SHEET 1			

REFERENCE MATING P.C.B CONFIGURATION



- (APPLIED TO SHEET 4)
1. TOLERANCES ON ALL DIMENSIONS ± 0.15 UNLESS OTHERWISE SPECIFIED.
 2. P.C. BOARD THICKNESS APPLIES ACROSS TABS AND INCLUDES PLATING AND/OR METALIZATION.
 3. FINISH OF PAD : GOLD PLATING 0.00076 MIN. OVER Ni PLATING 0.002MIN.
- ⚠ NO BURR
 ⚠ CHAMFER 0.25 MAX x 45° IF EXIST.

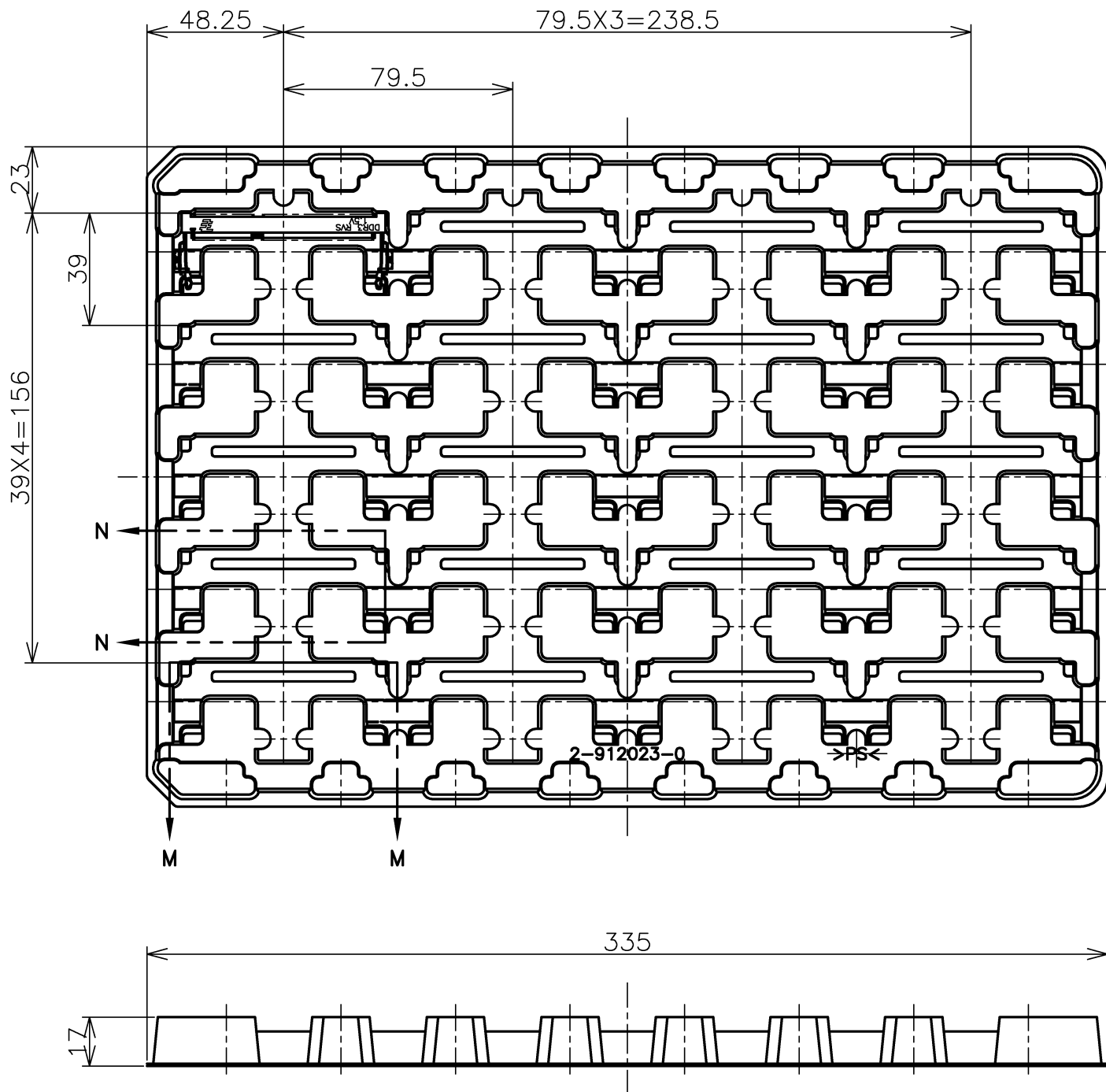


30	CA
31.75	BA
25.4	AA
H	SDRAM VARIATIONS

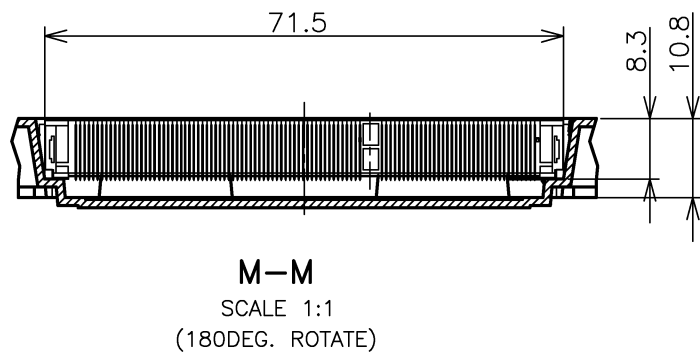
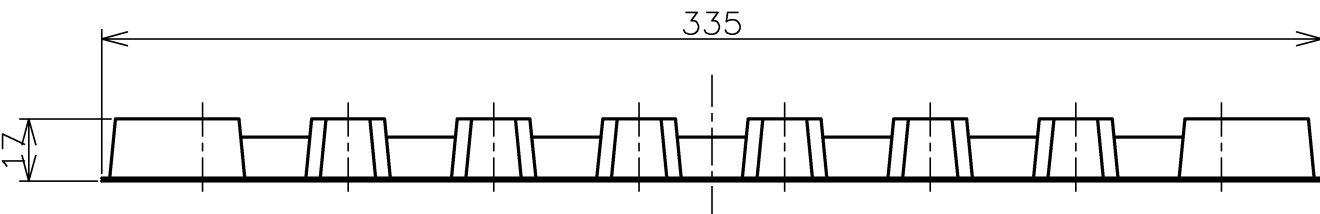
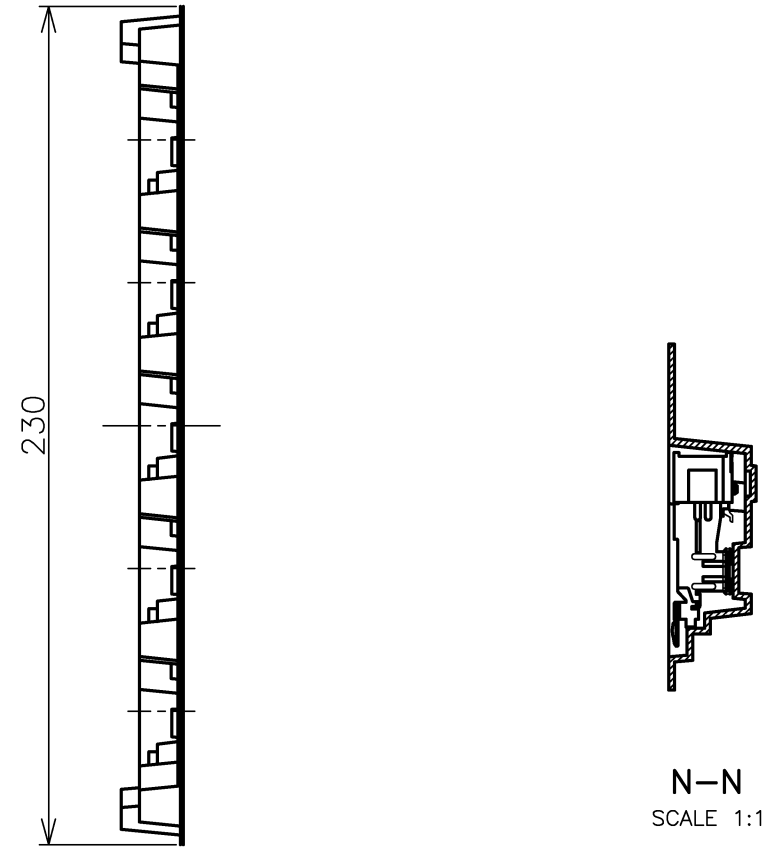
THIS DRAWING IS A CONTROLLED DOCUMENT.		DWN		Tyco Electronics Corporation Kawasaki, Japan	
DIMENSIONS: MM		CHK		NAME	
TOLERANCES UNLESS OTHERWISE SPECIFIED:		APVD		DDR3 SODIMM SOCKET 0.6mm PITCH 204POS 8.0mm HEIGHT REVERSE TYPE	
0 PLC ±		PRODUCT SPEC		SIZE CAGE CODE DRAWING NO RESTRICTED TO	
1 PLC ±		APPLICATION SPEC		A3 00779 C-2013298	
2 PLC ±		WEIGHT		SCALE SHEET OF REV	
3 PLC ±		CUSTOMER DRAWING		2:1 4 OF 6 C1	
4 PLC ±					
ANGLES ±					
FINISH					

THIS DRAWING IS UNPUBLISHED. RELEASED FOR PUBLICATION SEP. 2007.
 © COPYRIGHT 2007 BY TYCO ELECTRONICS CORPORATION. ALL RIGHTS RESERVED.

LOC	DIST	REVISIONS			
P	LTR	DESCRIPTION	DATE	DWN	APVD
J	/	SEE SHEET 1	-	-	-



(APPLIED TO SHEET 5)
 1. THE DIRECTION OF EACH CONNECTOR ON A TRAY IS REFERRED TO THIS DRAWING.
 2. GENERAL TOLERANCE: ±0.5, ±3'

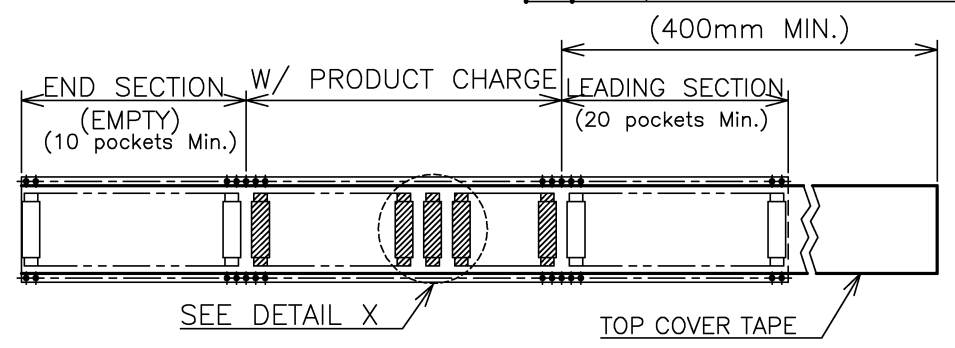
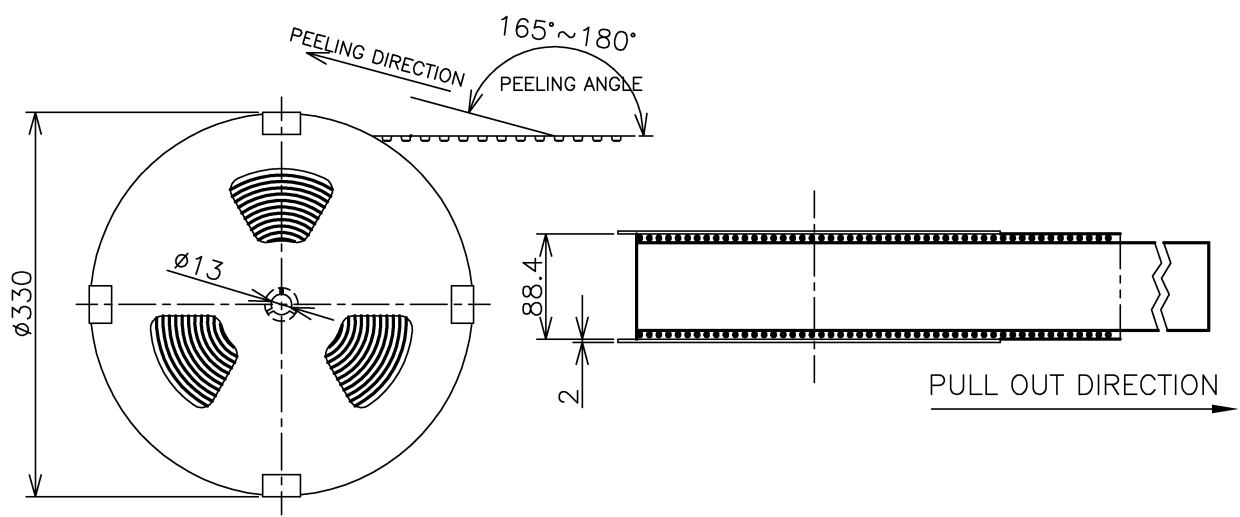


200EA	20EA	*-2013298-*
QTY/BOX	QTY/TRAY	PART NO.

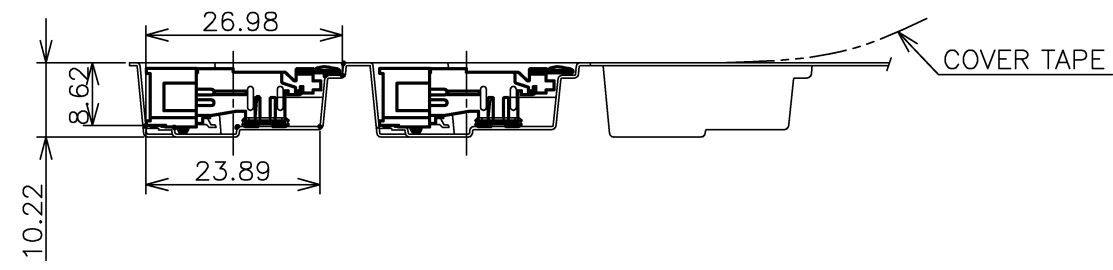
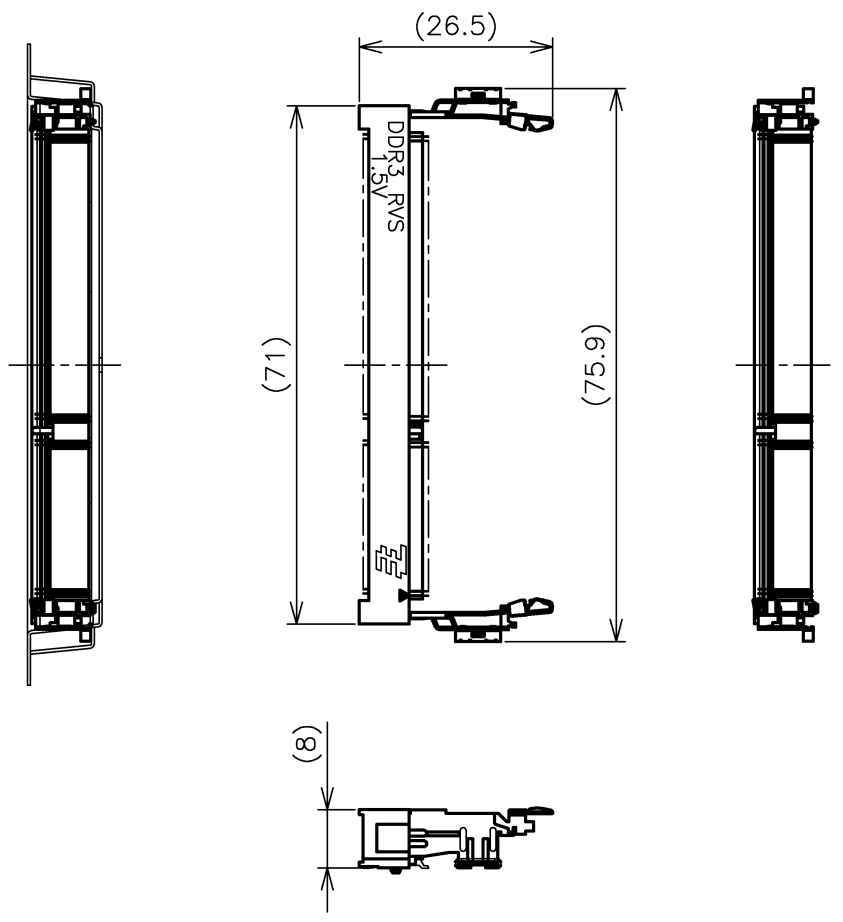
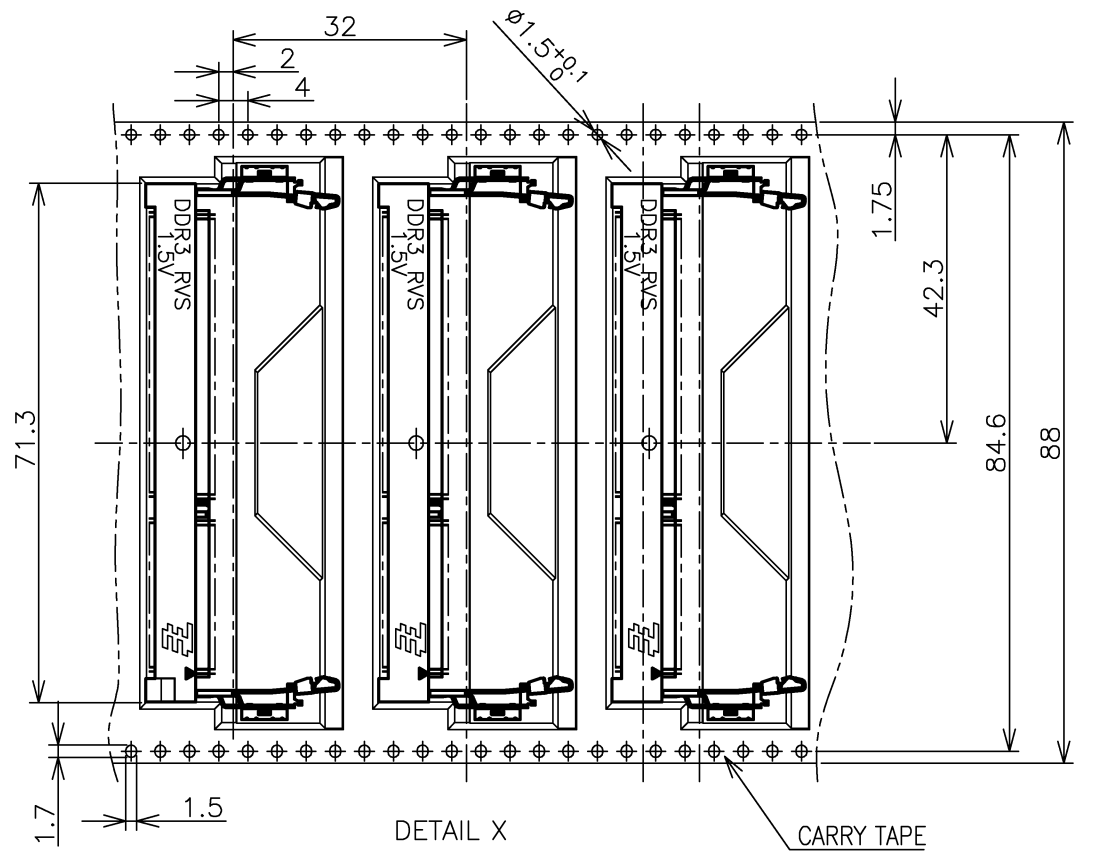
THIS DRAWING IS A CONTROLLED DOCUMENT.		DWN		Tyco Electronics Corporation Kawasaki, Japan	
DIMENSIONS: MM		CHK		NAME	
TOLERANCES UNLESS OTHERWISE SPECIFIED:		APVD		DDR3 SODIMM SOCKET 0.6mm PITCH 204POS 8.0mm HEIGHT REVERSE TYPE	
0 PLC ± 0.5		PRODUCT SPEC		SIZE	
1 PLC ± 0.5		APPLICATION SPEC		CAGE CODE	
2 PLC ± 0.5		WEIGHT		DRAWING NO	
3 PLC ± 0.5		CUSTOMER DRAWING		RESTRICTED TO	
4 PLC ± 0.5				A3 00779 C-2013298	
ANGLES ± 3'				SCALE 1:2	
FINISH				SHEET 5 OF 6	
				REV C1	

THIS DRAWING IS UNPUBLISHED. RELEASED FOR PUBLICATION SEP. 2007.
 © COPYRIGHT 2007 BY TYCO ELECTRONICS CORPORATION. ALL RIGHTS RESERVED.

LOC	DIST	REVISIONS					
J		P	LTR	DESCRIPTION	DATE	DWN	APVD
				SEE SHEET 1	-	-	-



(APPLIED TO SHEET 6)
 1. THE DIRECTION OF EACH CONNECTOR ON A EMBOSS IS REFERRED TO THIS DRAWING.
 2. GENERAL TOLERANCE: ± 0.5 , $\pm 3^\circ$



THIS DRAWING IS A CONTROLLED DOCUMENT.		DWN	Tyco Electronics Corporation Kawasaki, Japan	
DIMENSIONS: MM		CHK	NAME	
TOLERANCES UNLESS OTHERWISE SPECIFIED:		APVD	DDR3 SODIMM SOCKET	
0 PLC ± 0.5		PRODUCT SPEC	0.6mm PITCH 204POS	
1 PLC ± 0.5		APPLICATION SPEC	8.0mm HEIGHT REVERSE TYPE	
2 PLC ± 0.5		WEIGHT	SIZE	CAGE CODE
3 PLC ± 0.5		CUSTOMER DRAWING	A3	00779
4 PLC ± 0.5		SCALE	DRAWING NO	
ANGLES $\pm 3^\circ$		1:1	C-2013298	
MATERIAL		SHEET	RESTRICTED TO	
FINISH		6 OF 6	-	
		REV	C1	