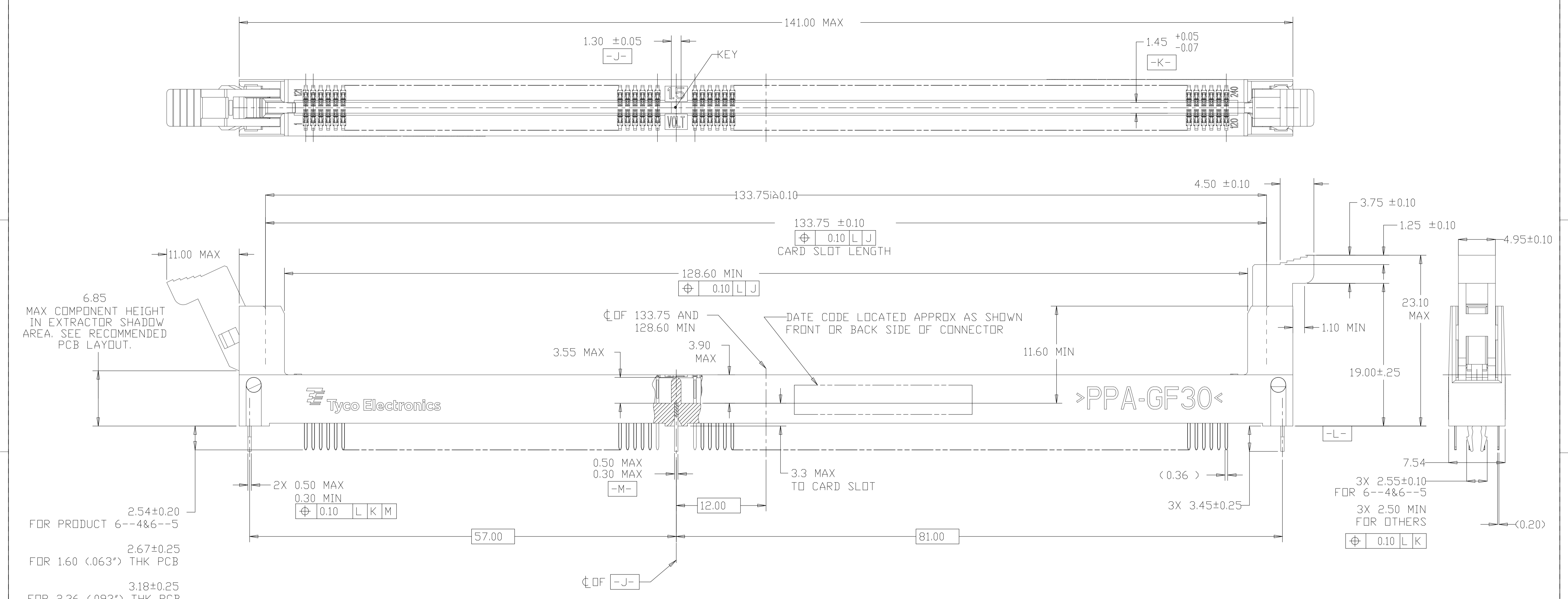
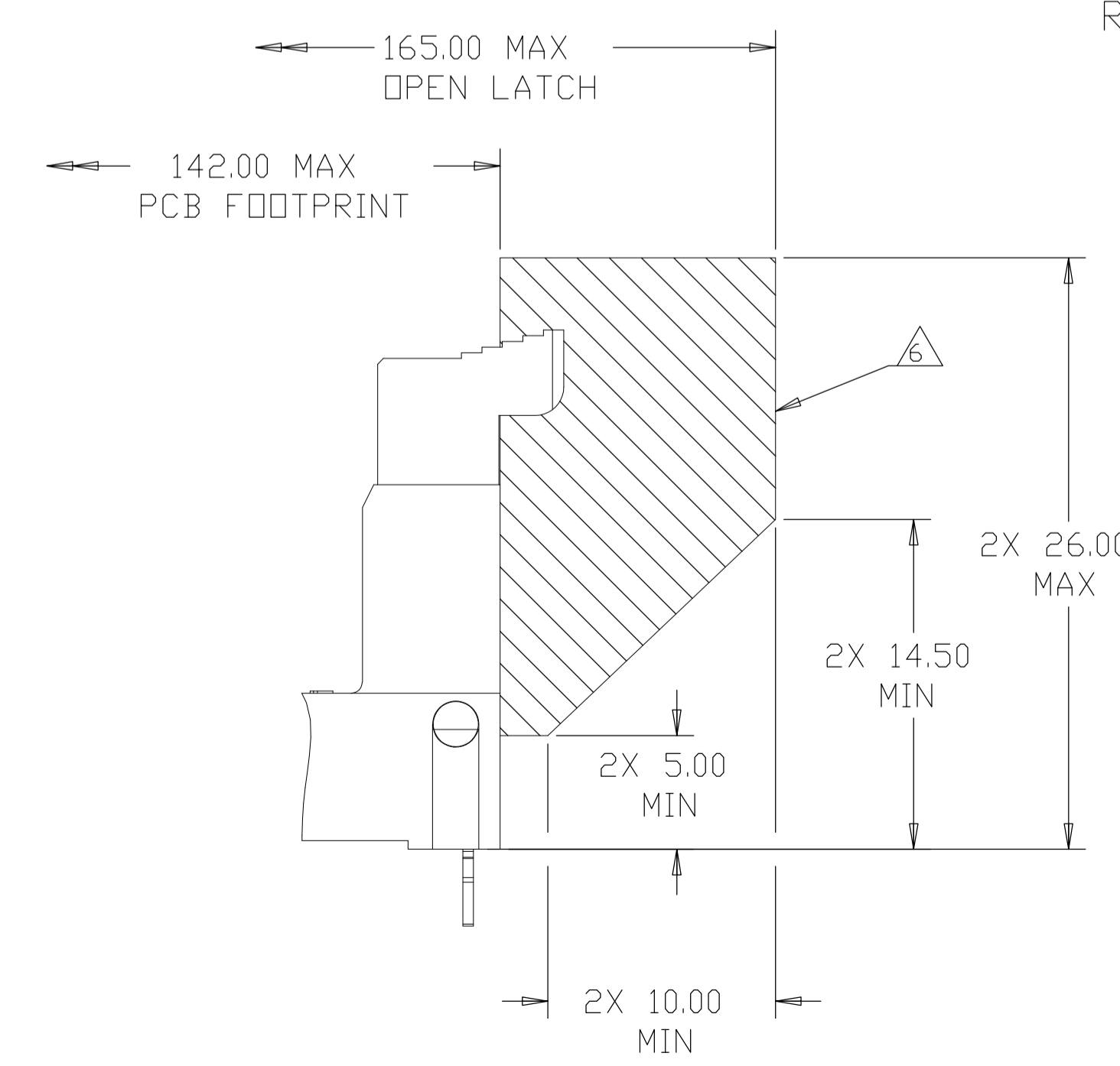


LOC	DIST	REVISIONS					
ES	00	P	LTR	DESCRIPTION	DATE	DWN	APVD
		H4		REVISED PER ECR-10-025962	19APR2011	R.M	C.W

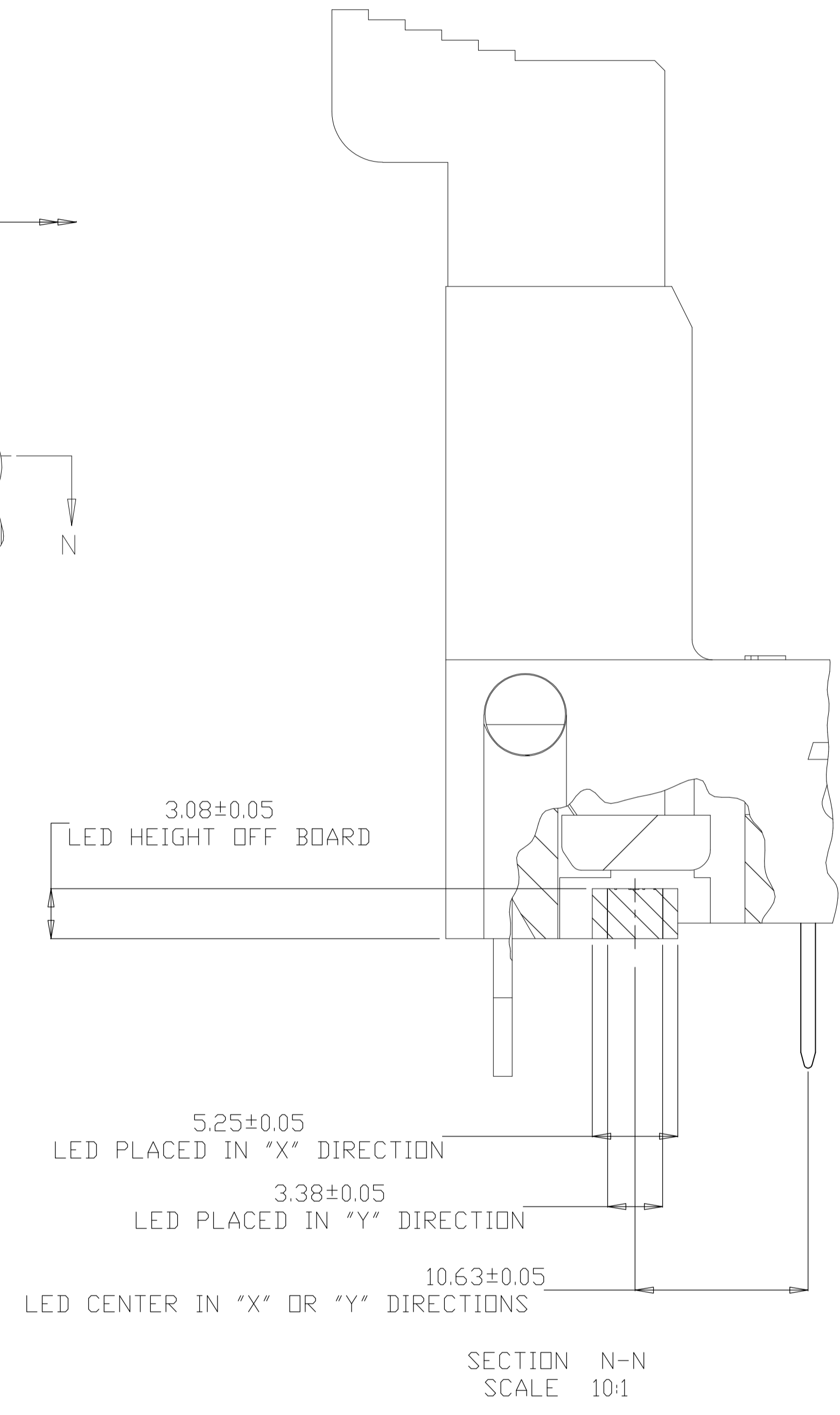
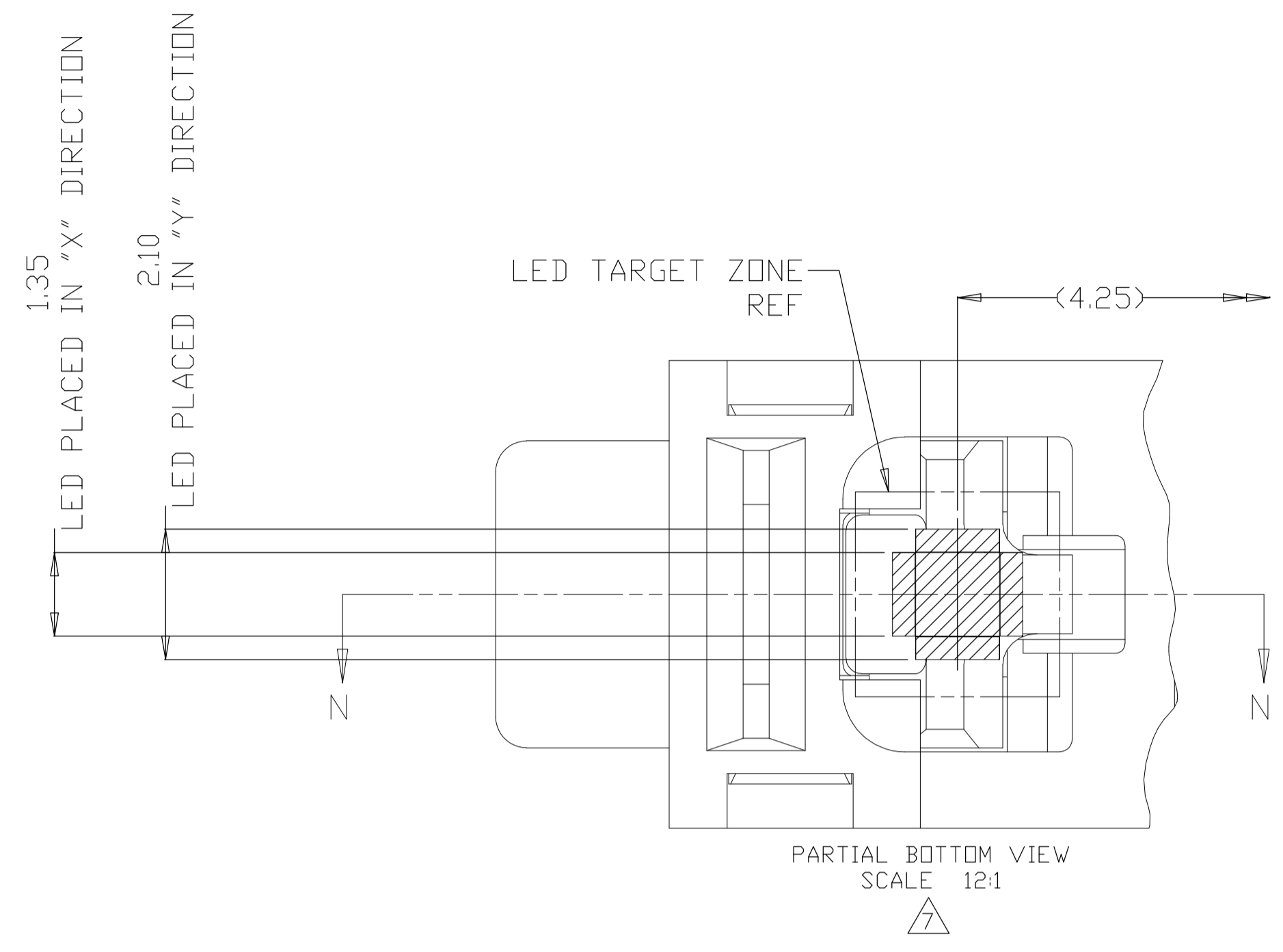


RETENTION BARB TYPE SHOWN ON ALL SHEET UNLESS OTHERWISE NOTED

- △ MATERIALS:
 - HOUSING: HIGH TEMPERATURE NYLON, UL94 V-0
 - EXTRACTOR: HIGH TEMPERATURE THERMOPLASTIC
 - CONTACTS: COPPER ALLOY
 - RETENTION BARB: BRASS, TIN PLATED
- △ INTERFACE FINISH:
 - (1) 0.00038 MIN THK GOLD OVER 0.00127 MIN THK NICKEL.
 - (2) 0.00008 MIN THK GOLD OVER 0.00127 MIN THK NICKEL.
 - (3) 0.00076 MIN THK GOLD OVER 0.00127 MIN THK NICKEL.
- △ FINISHED HOLE SIZE. 0.15 MAXIMUM ANNULAR RING.
- △ KEEP OUT ZONE.
- △ KEEP OUT AREA RESERVED FOR SOCKET EXTRACTORS, BOTH ENDS.
- △ SOLDER TAIL FINISH: 0.00300 MIN THK MATTE TIN OVER 0.00127 MIN THK NICKEL.
- △ LED LOCATION AS APPLICABLE PER CUSTOMER.
- △ DATUM -G- IS CONNECTOR SIDE SURFACE OF PCB.



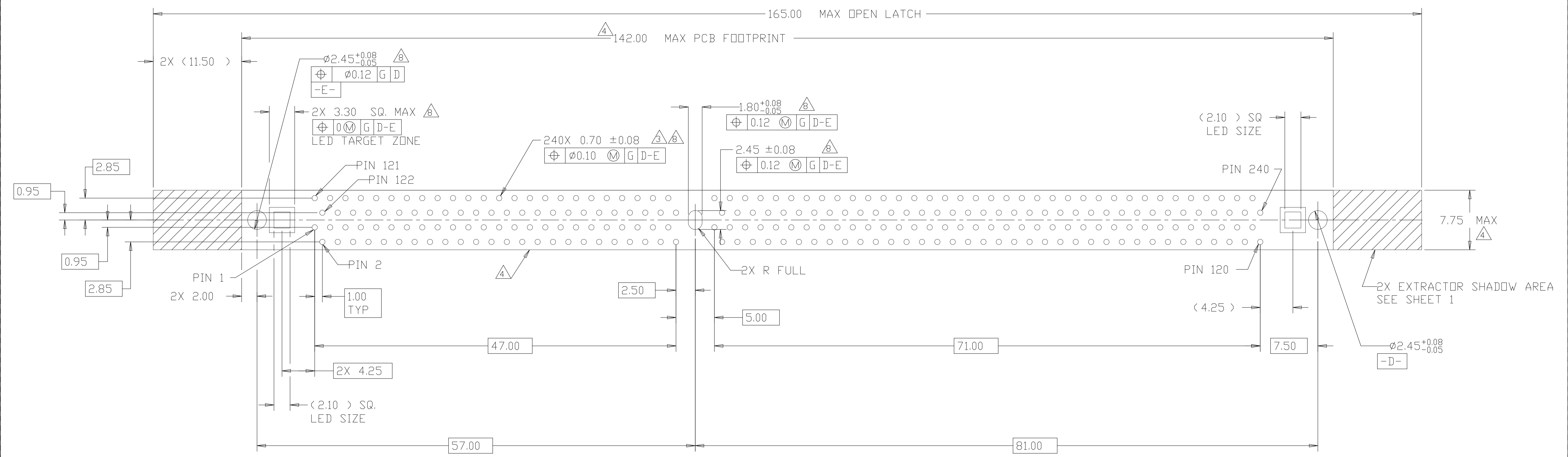
THIS DRAWING IS A CONTROLLED DOCUMENT.		DIN LEO ZHOU 28FEB2007	TE Connectivity
		CHK STEVEN YAO 28FEB2007	
DIMENSIONS: mm		APVD STEVEN YAO 28FEB2007	NAME
TOLERANCES UNLESS OTHERWISE SPECIFIED:		PRODUCT SPEC	SOCKET ASSEMBLY, VERTICAL DDR3 DIMM, SOLDER TAIL, 240 POSITION
0 PLC ± -		APPLICATION SPEC	108-2256
1 PLC ± 0.5		SIZE	114-13154
2 PLC ± 0.13		WEIGHT	A1 00779 C=1932000
3 PLC ± 0.013		CUSTOMER DRAWING	SCALE 4:1 SHEET 1 OF 4 REV H4
4 PLC ± 0.0001			
ANGLES ± -			



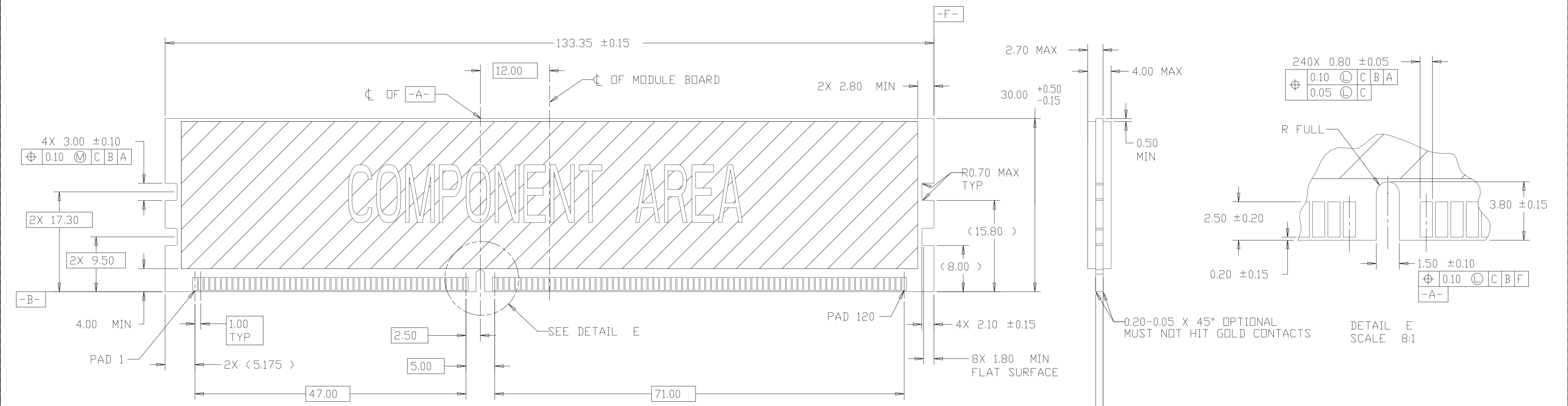
HOUSING STYLE	EXTRACTOR COLOR	HOUSING COLOR	CONTACT GOLD INTERFACE	TAIL LENGTH	PART NUMBER
RETENTION BARB	BLACK	BLACK	0.00076 MIN (30u'')	2.54	7-1932000-6
	NATURAL	BLACK	0.00076 MIN (30u'')	2.54	7-1932000-5
	NATURAL	BLUE(2935U)	0.00038 MIN(15u'')	2.67	7-1932000-2
	NATURAL	PINK(701C)	0.00008 MIN (3u'', FLASH)	2.54	6-1932000-5
		BLUE(284C)		2.54	6-1932000-4
	BLACK	BLACK	0.00076 MIN (30u'')	4.00	5-1932000-2
				3.18	5-1932000-1
	NATURAL	BLACK	0.00076 MIN (30u'')	4.00	4-1932000-8
				3.18	4-1932000-7
				2.67	4-1932000-6
	NATURAL	GREEN(368C) BLUE(284C) ORANGE(021C)	0.00038 MIN (15u'')	2.67	3-1932000-3
				2.67	2-1932000-5
				2.67	2-1932000-1
	BLACK	BLACK	0.00038 MIN (15u'')	3.18	1-1932000-7
				2.67	1-1932000-6
	NATURAL	BLACK	0.00008 MIN(3u'')	4.00	1-1932000-5
				3.18	1-1932000-1
	NATURAL	NATURAL	0.00038 MIN (15u'')	2.67	1-1932000-0
				2.67	1932000-7
				4.00	1932000-6
3.18				1932000-5	
NATURAL	NATURAL	0.00008 MIN (3u'', FLASH)	2.67	1932000-4	
			4.00	1932000-3	
			3.18	1932000-2	
			2.67	1932000-1	

THIS DRAWING IS A CONTROLLED DOCUMENT.

DIMENSIONS: mm	TOLERANCES UNLESS OTHERWISE SPECIFIED:	DIN LEO ZHOU 28FEB2007	STE	TE Connectivity
0 PLC ± -	1 PLC ± 0.5	CHK STEVEN YAO 28FEB2007	SOCKET ASSEMBLY, VERTICAL DDR3 DIMM, SOLDER TAIL, 240 POSITION	
2 PLC ± 0.13	3 PLC ± 0.013	APVD STEVEN YAO 28FEB2007		
4 PLC ± 0.0001	ANGLES ± -	PRODUCT SPEC	SIZE A1	CAGE CODE 1932000
MATERIAL	FINISH	APPLICATION SPEC	WEIGHT	RESTRICTED TO
			CUSTOMER DRAWING	SCALE 4:1 SHEET 2 OF 4 REV H4

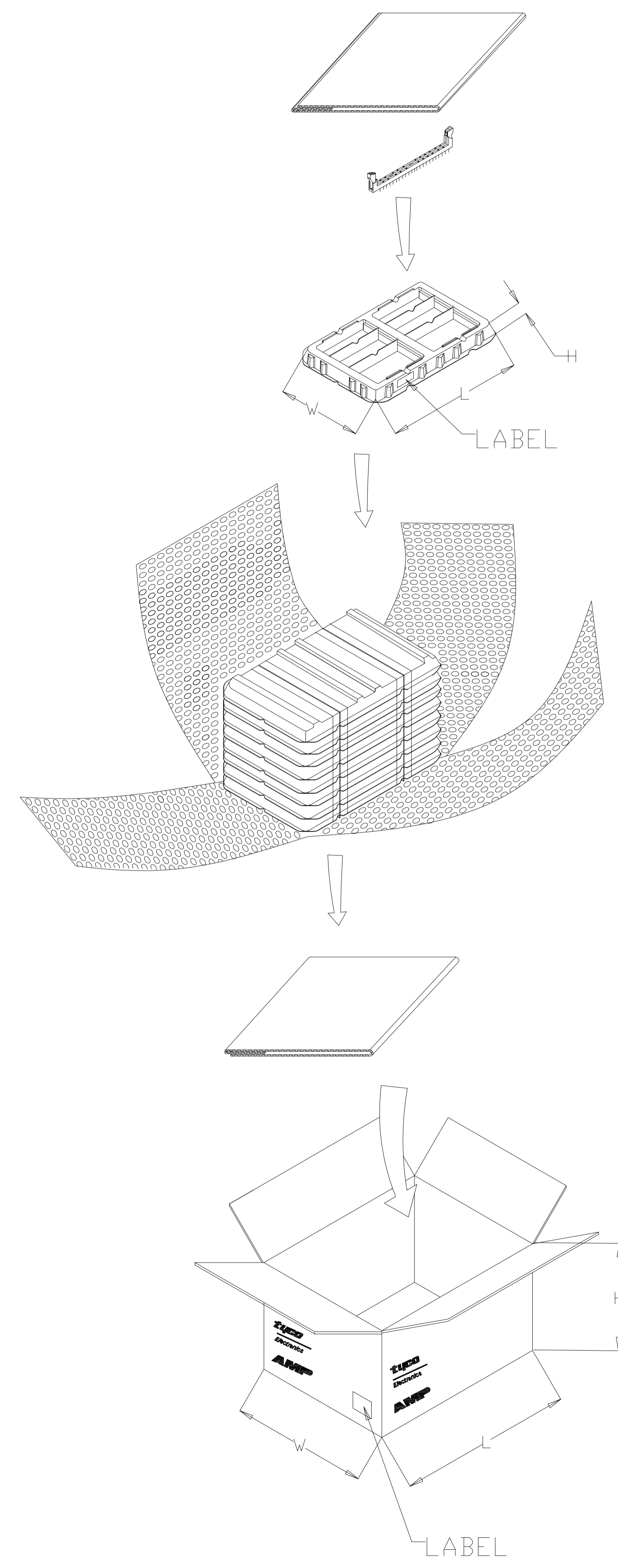


RECOMMENDED PCB LAYOUT
VIEWED FROM CONNECTOR SIDE



RECOMMENDED MODULE LAYOUT
SCALE 3:1
REFER TO JEDEC MO-269 FOR COMPLETE MODULE DETAILS

THIS DRAWING IS A CONTROLLED DOCUMENT.		DIN	LEO ZHOU	28FEB2007	 TE Connectivity
		CHK	STEVEN	28FEB2007	
		APVD	STEVEN YAO	28FEB2007	NAME
		TOLERANCES UNLESS OTHERWISE SPECIFIED:			PRODUCT SPEC
		APPLICATION SPEC			SIZE
		CUSTOMER DRAWING			SCALE
		DRAWING NO			SHEET
		DRAWING NO			REV
		DRAWING NO			REV



BOTTOM TRAY

TRAY

CARTON

NOTES:

1. MATERIAL:
 - 1.1 TRAY: PVC
 - 1.2 SHIPPING CARTON : CORRUGATED FIBERBOARD
2. DIMENSION :
 - 2.1 TRAY : L=363, W=255, H=33
 - 2.2 SHIPPING CARTON : L=375, W=265, H=280
3. QUANTITY :
 - 3.1 PRIMARY PACKING : 50 PCS/TRAY
 - 3.2 SECONDARY PACKING : 8 TRAY/CARTON(400PCS)
4. WEIGHT :
 - 4.1 NET WEIGHT : 3.76 KG
 - 4.2 GROSS WEIGHT: 6.00 KG

THIS DRAWING IS A CONTROLLED DOCUMENT.		DIN LEO ZHOU 28FEB2007		TE Connectivity	
DIMENSIONS: mm		CHK STEVEN 28FEB2007			
TOLERANCES UNLESS OTHERWISE SPECIFIED:		APVD STEVEN YAO 28FEB2007		NAME	
0. PLC ± -		PRODUCT SPEC		SOCKET ASSEMBLY, VERTICAL DDR3 DIMM, SOLDER TAIL, 240 POSITION	
1. PLC ± 0.50		APPLICATION SPEC		SIZE CAGE CODE DRAWING NO	
2. PLC ± 0.13		WEIGHT		A1 00779 C=1932000	
3. PLC ± 0.013		CUSTOMER DRAWING		SCALE -- SHEET 4 OF 4 REV H4	
4. PLC ± 0.0001					
ANGLES ± -					
MATERIAL - FINISH -					