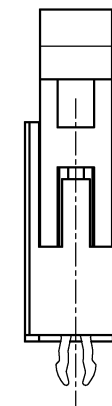
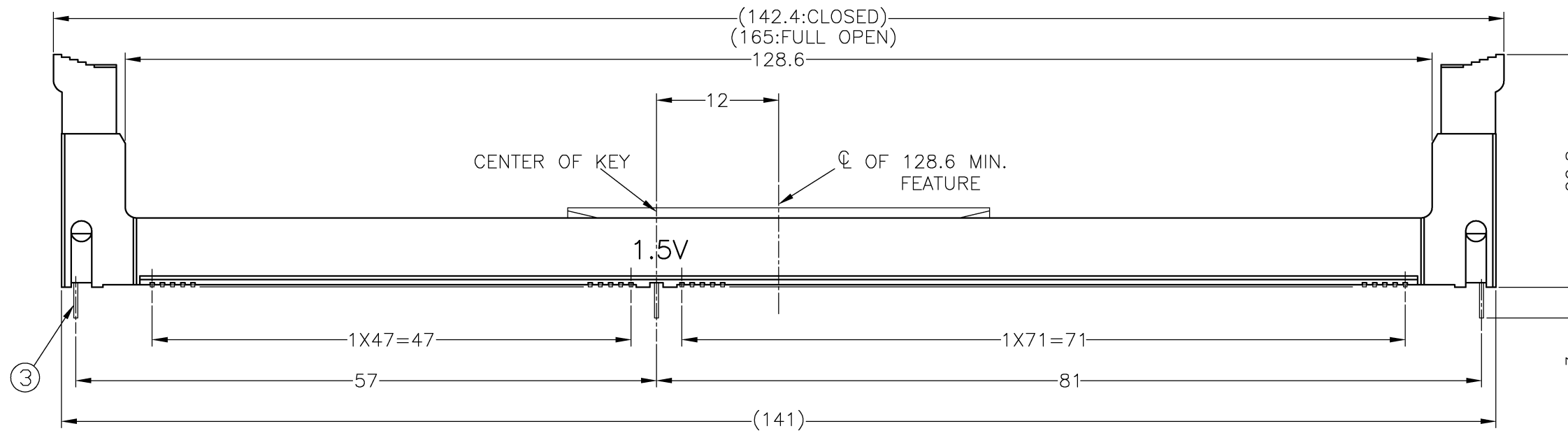
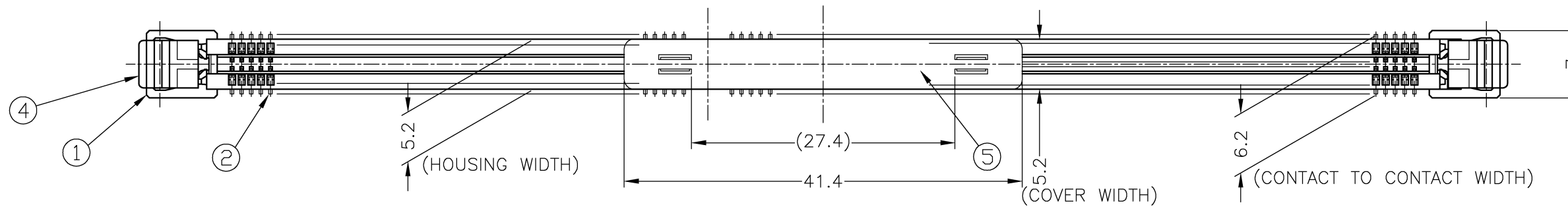


THIS DRAWING IS UNPUBLISHED. RELEASED FOR PUBLICATION
 © COPYRIGHT - By Tyco Electronics Japan G.K. ALL RIGHTS RESERVED.

LOC	DIST	REVISIONS 変更		
J	/	P	LTR	DESCRIPTION
		D	REVISED	DATE
				DWN
				APVD
				01MAR2011
				K.M
				E.T



1	COVER	⑤
2	EXTRACTOR	④
3	LEG	③
240	CONTACT	②
1	HOUSING	①
QTY	NAME	ITEM

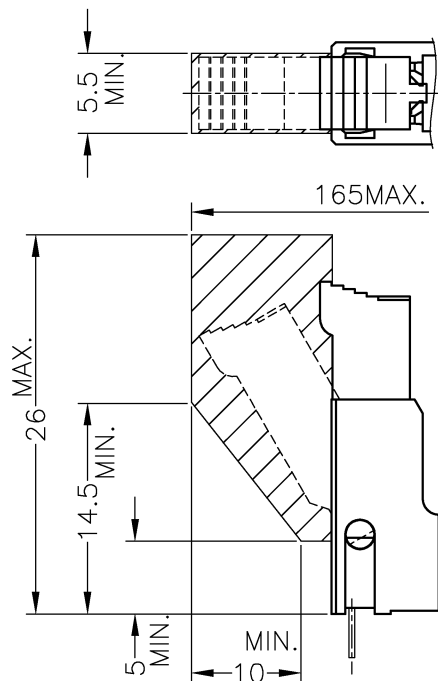
- 1.MATERIAL
 HOUSING : THERMOPLASTIC, UL94V-0,
 CONTACT : COPPER ALLOY
 LEG : COPPER ALLOY
 EXTRACTOR : THERMOPLASTIC, UL94V-0
 COVER : THERMOPLASTIC, UL94V-0, MILK-WHITE

- 2.FINISH
 CONTACT : SEE TABLE
 SOLDER PEG : TIN PL., Ni UNDER PL. ALL OVER

- 3.GENERAL TOLERANCES : 10 ≥ : ±0.2
 >10 : ±0.3
 ANGLES : ±3°

- 4.CONFORMS TO THE REQUIREMENTS OF
 EIA/ECA-364-1000.01A(CONTROLLED ENVIRONMENT APPLICATIONS,
 AND TE PRODUCT SPECIFICATION 108-78570.

BLACK	NATURAL	Au PL. 0.00076mm MIN. ON CONTACT AREA TIN PL. ON SOLDERING AREA Ni UNDER PL. 0.00127mm ALL OVER	2040727-7
BLACK	BLACK	Au PL. 0.00076mm MIN. ON CONTACT AREA TIN PL. ON SOLDERING AREA Ni UNDER PL. 0.00127mm ALL OVER	2040727-6
NATURAL	NATURAL	Au PL. 0.00076mm MIN. ON CONTACT AREA TIN PL. ON SOLDERING AREA Ni UNDER PL. 0.00127mm ALL OVER	2040727-5
BLACK	NATURAL	Au PL. 0.00038mm MIN. ON CONTACT AREA TIN PL. ON SOLDERING AREA Ni UNDER PL. 0.00127mm ALL OVER	2040727-4
BLACK	NATURAL	Au PL. 0.00005mm MIN. WITH Pd-Ni 0.00076mm MIN. ON CONTACT AREA TIN PL. ON SOLDERING AREA Ni UNDER PL. 0.002mm ALL OVER	2040727-1
HOUSING COLOR	EXTRACTOR COLOR	CONTACT FINISH	PART NUMBER



KEEP OUT AREA RESERVED FOR EXTRACTORS
 (HATCHING AREA, 2 PLC TYP.)

THIS DRAWING IS A CONTROLLED DOCUMENT.		DWN T.KAWAMAE	22AUG08	TE Connectivity	
DIMENSIONS: 単位: 耗 mm		CHK K.IKEGAMI	22AUG08		
TOLERANCES UNLESS OTHERWISE SPECIFIED: 一般公差		APVD K.IKEGAMI	22AUG08	NAME 名称	
0 PLC ± - 1 PLC ± - 2 PLC ± - 3 PLC ± - 4 PLC ± - ANGLES ± -		PRODUCT SPEC 製品規格 108-78570	SOCKET ASSEMBLY DDR-III, SMT, 240P		
MATERIAL 材料 SEE NOTE		APPLICATION SPEC 取付適用規格	WEIGHT 6.4g	SIZE A3	CAGE CODE 00779
FINISH 仕上 SEE NOTE		DRAWING NO 番号 C-2040727		RESTRICTED TO -	
CUSTOMER DRAWING			SCALE 尺度 2:1	SHEET 1 OF 4	REV D

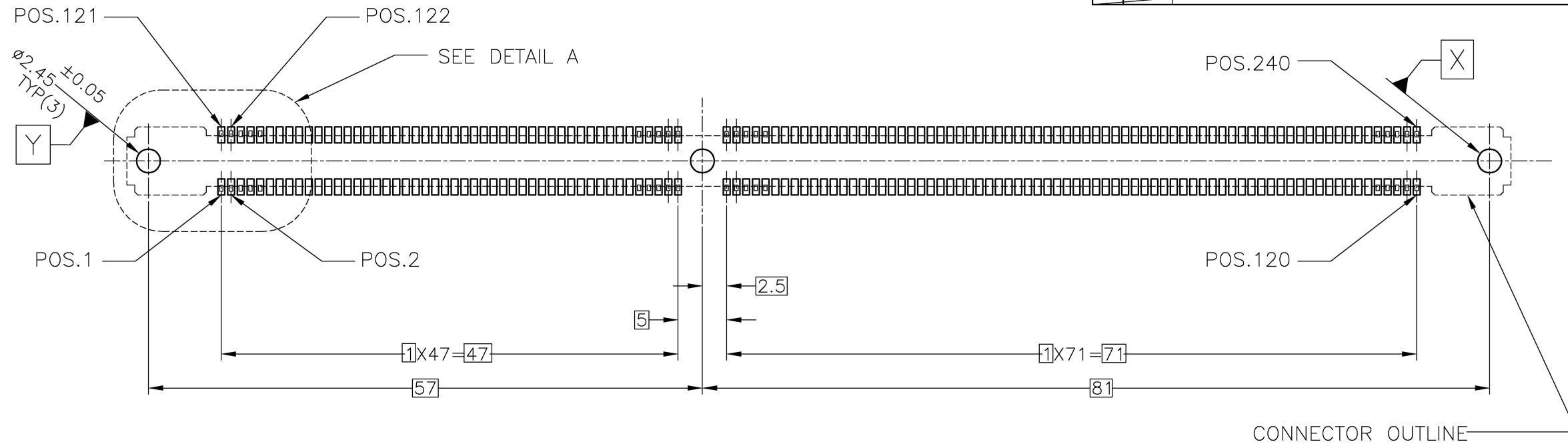
THIS DRAWING IS UNPUBLISHED.

RELEASED FOR PUBLICATION

© COPYRIGHT - By Tyco Electronics Japan G.K.

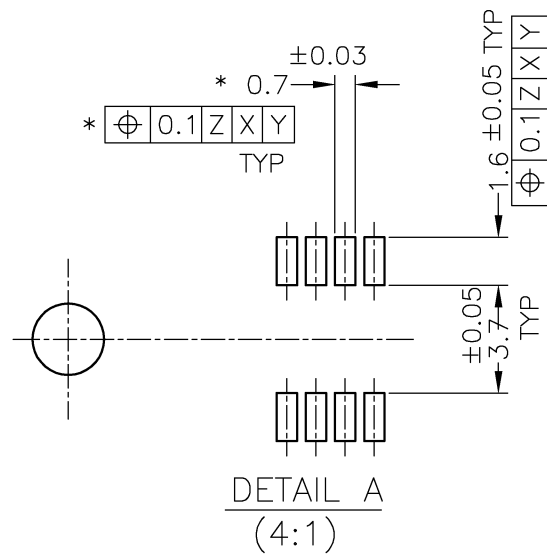
ALL RIGHTS RESERVED.

LOC	DIST	REVISIONS		
J		P	LTR	DATE
				DWN
				APVD
		DESCRIPTION		
		SEE SHEET 1		



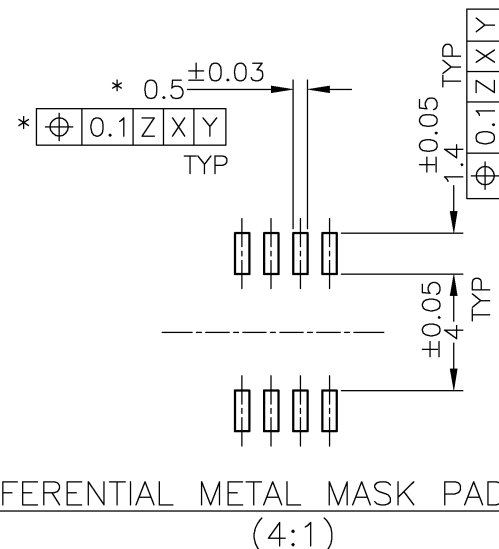
REFERENCE PCB LAYOUT
(VIEWED FROM CONNECTOR SIDE)

[Z] : PCB SURFACE



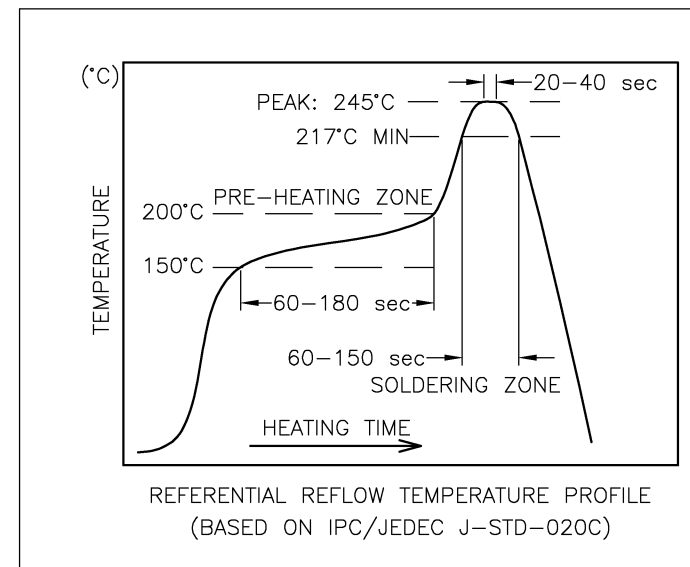
DETAIL A
(4:1)

*: TOLERANCE; NON-CUMMIRATIVE



REFERENTIAL METAL MASK PAD OPENING
(4:1)

*: TOLERANCE; NON-CUMMIRATIVE



REFERENTIAL REFLOW TEMPERATURE PROFILE
(BASED ON IPC/JEDEC J-STD-020C)

RECOMMENDED PC BOARD X/Y CTE. 10-14 [ppm/DEGREE CELSIUS]
PLEASE VERIFY CTE MATCHING BEFORE USING THE SOCKETS.
FOR ANY INQUIRY. PLEASE CONTACT TYCO ELECTRONICS.

THIS DRAWING IS A CONTROLLED DOCUMENT.		DWN	TE Connectivity	
DIMENSIONS: 単位: 耗 mm		CHK	NAME 名称	
TOLERANCES UNLESS OTHERWISE SPECIFIED: 一般公差		APVD	SOCKET ASSEMBLY	
0 PLC ± -		PRODUCT SPEC 製品規格	DDR-III, SMT, 240P	
1 PLC ± -		APPLICATION SPEC 取付適用規格	SIZE	CAGE CODE
2 PLC ± -		WEIGHT	A3	00779
3 PLC ± -			DRAWING NO 番号	RESTRICTED TO
4 PLC ± -			G-2040727	
ANGLES ± -		CUSTOMER DRAWING		
MATERIAL 材料	FINISH 仕上	SCALE 尺度	SHEET	REV
		2:1	2 of 4	D

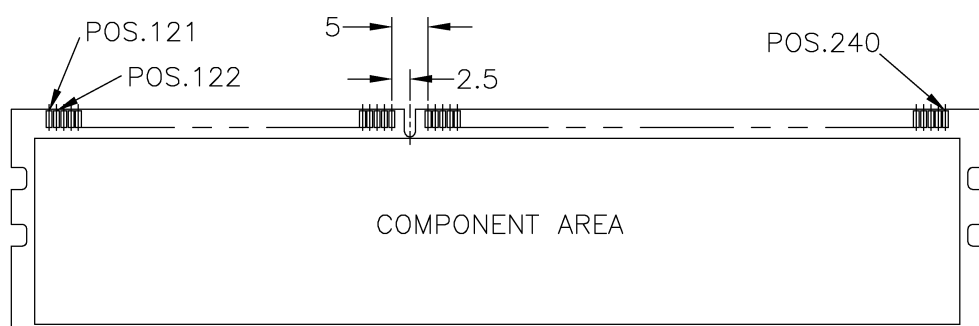
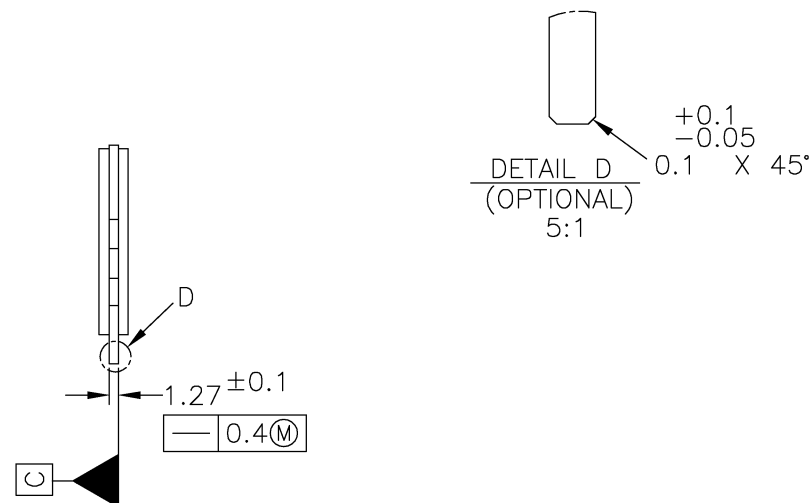
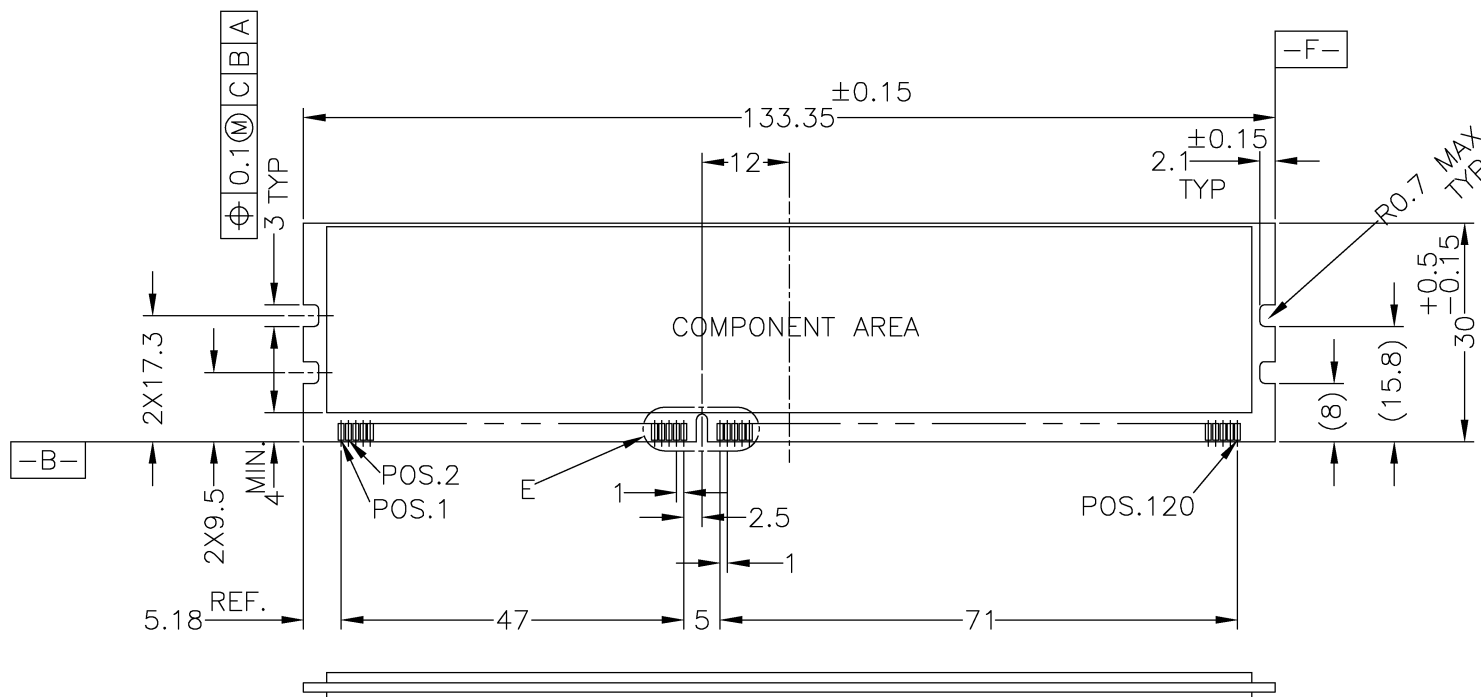
THIS DRAWING IS UNPUBLISHED.

RELEASED FOR PUBLICATION

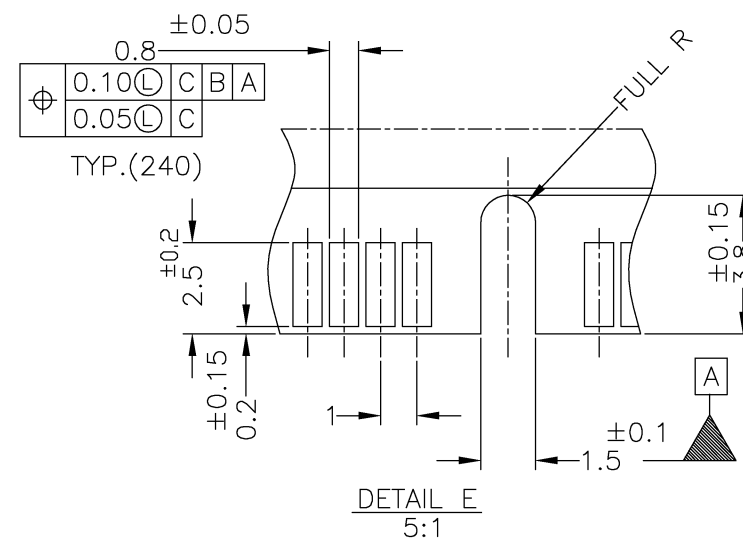
© COPYRIGHT - By Tyco Electronics Japan G.K.

ALL RIGHTS RESERVED.

LOC	DIST	REVISIONS					
J		P	LTR	DESCRIPTION	DATE	DWN	APVD
		-	-	SEE SHEET 1	-	-	-



REFERENCE DIMM PCB LAYOUT



RECOMMENDED PLATING FOR CONTACT PADS ARE:

- 1) PREFERABLE PLATING : ELECTROLYTIC GOLD PLATING 0.76 MICROMETERS MINIMUM OVER ELECTROLYTIC NICKEL 2.00 MICROMETERS MINIMUM.
- 2) ALTERNATIVE PLATING : GOLD PLATING 0.05-0.75 MICROMETERS OVER NICKEL 2.00 MICROMETERS MINIMUM MUST USE AN ELECTRONIC CONTACT GRADE CORROSIVE BARRIER LUBRICANT.

THIS DRAWING IS A CONTROLLED DOCUMENT.		DWN	TE Connectivity		
DIMENSIONS: 単位: 耗 mm		CHK	NAME 名称		
TOLERANCES UNLESS OTHERWISE SPECIFIED: 一般公差		APVD	SOCKET ASSEMBLY 製品規格		
0 PLC ± -		PRODUCT SPEC	DRAWING NO		
1 PLC ± -		APPLICATION SPEC	CAGE CODE		
2 PLC ± -		取付適用規格	A300779		
3 PLC ± -		WEIGHT	DRAWING NO		
4 PLC ± -		CUSTOMER DRAWING	G-2040727		
ANGLES ± -		SCALE	RESTRICTED TO		
FINISH 仕上		尺度 1:1	REV D		
MATERIAL 材料		SHEET	3 of 4		

4

3

2

1

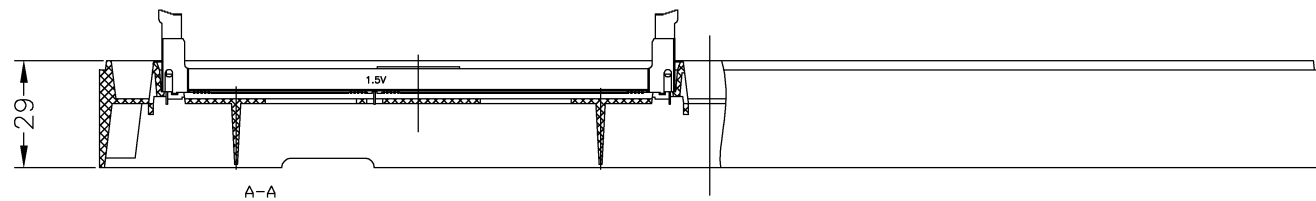
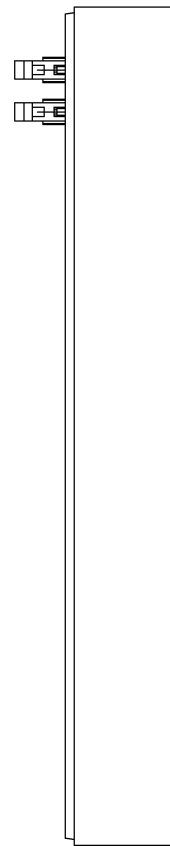
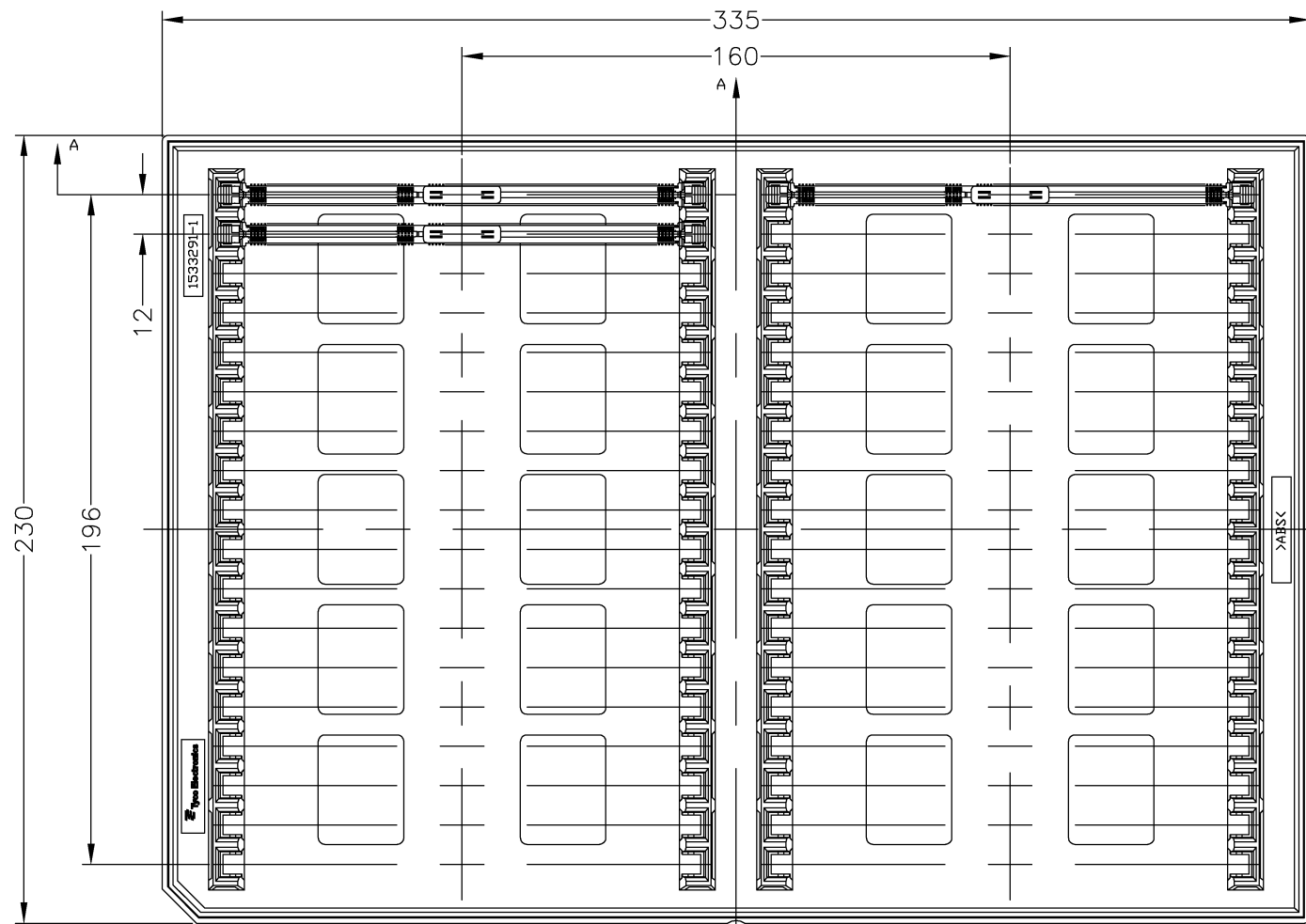
THIS DRAWING IS UNPUBLISHED.

RELEASED FOR PUBLICATION

© COPYRIGHT - By Tyco Electronics Japan G.K.

ALL RIGHTS RESERVED.

LOC	DIST	REVISIONS					
J		P	LTR	DESCRIPTION	DATE	DWN	APVD
		-	-	SEE SHEET 1	-	-	-



QTY: 36EA/TRAY

THIS DRAWING IS A CONTROLLED DOCUMENT.		DWN			
DIMENSIONS: 単位: 耗 mm		CHK	NAME 名称		
TOLERANCES UNLESS OTHERWISE SPECIFIED: 一般公差		APVD	SOCKET ASSEMBLY DDR-II, SMT, 240P		
0 PLC ± -		PRODUCT SPEC	製品規格		
1 PLC ± -		APPLICATION SPEC	取付適用規格		
2 PLC ± -		WEIGHT	SIZE	CAGE CODE	DRAWING NO
3 PLC ± -			A3	00779	G-2040727
4 PLC ± -			RESTRICTED TO		
ANGLES ± -			-		
MATERIAL 材料	FINISH 仕上	CUSTOMER DRAWING		SCALE 尺度	SHEET 4 of 4
				NTS	REV D