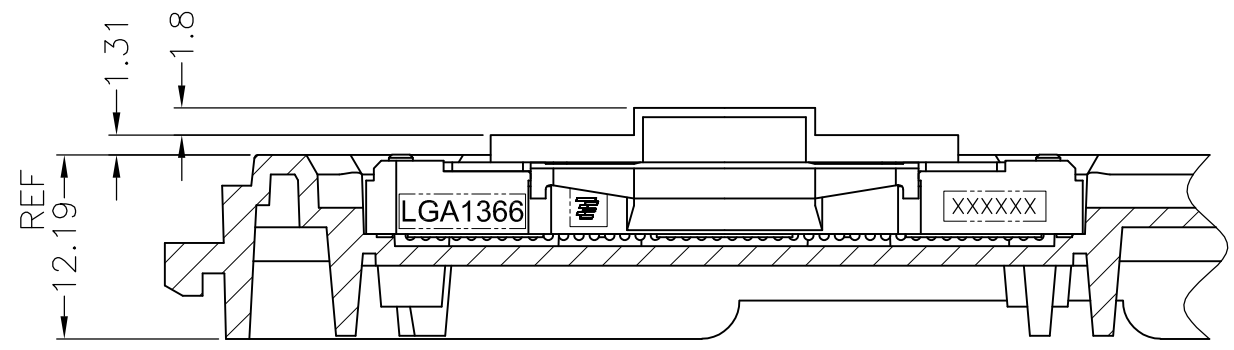
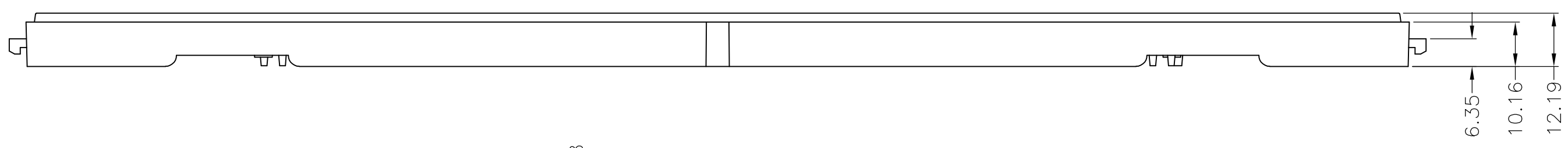
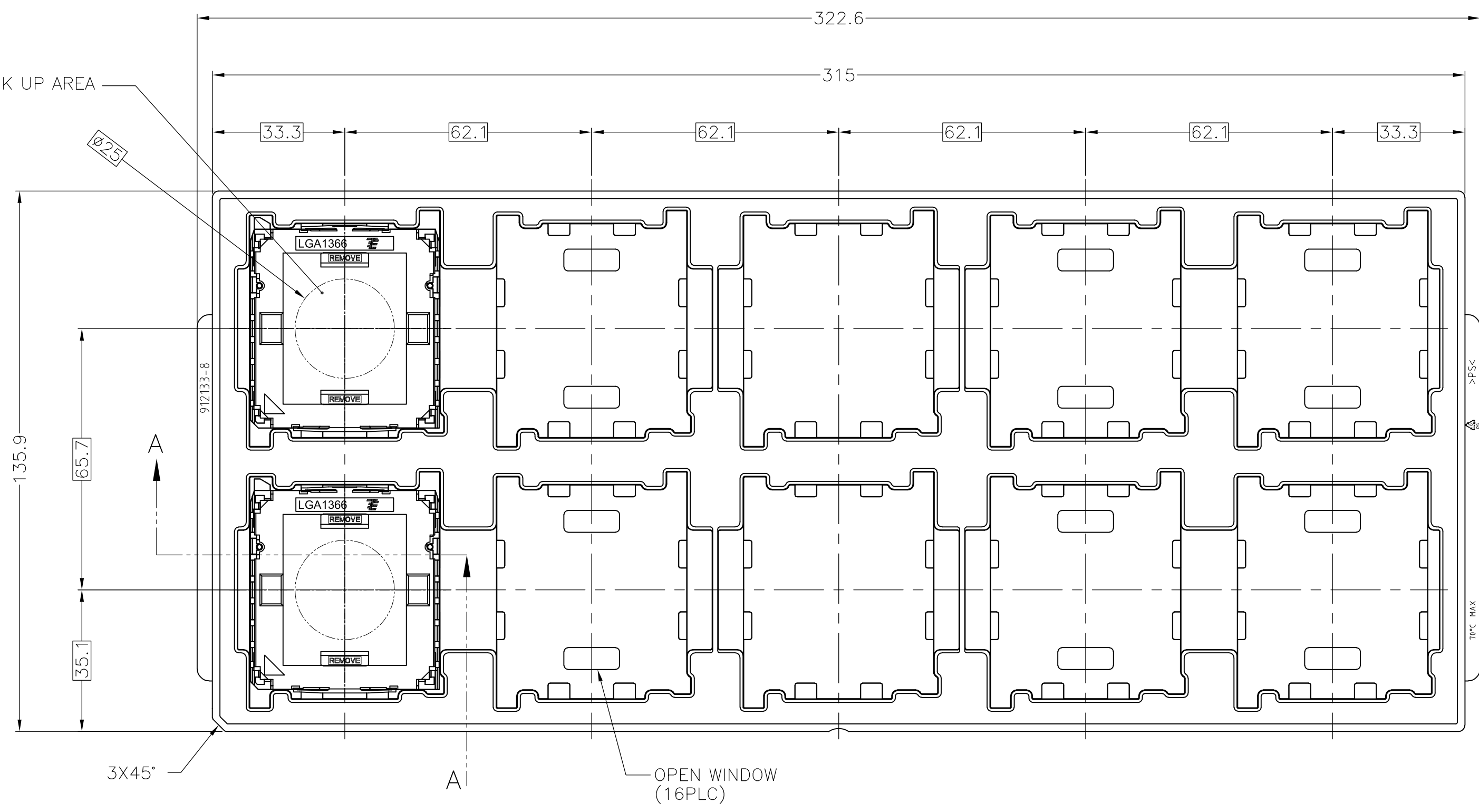


THIS DRAWING IS UNPUBLISHED. RELEASED FOR PUBLICATION  
 © COPYRIGHT BY TYCO ELECTRONICS CORPORATION. ALL RIGHTS RESERVED.

LOC	DIST	REVISIONS			
P	LTR	DESCRIPTION	DATE	DWN	APVD
-	-	C2 REVISED	25FEB'09	T.T	S.H

VACCU PICK UP AREA



A-A (SCALE 2:1)  
(SOCKET ASSY IS NOT SECTIONEND)

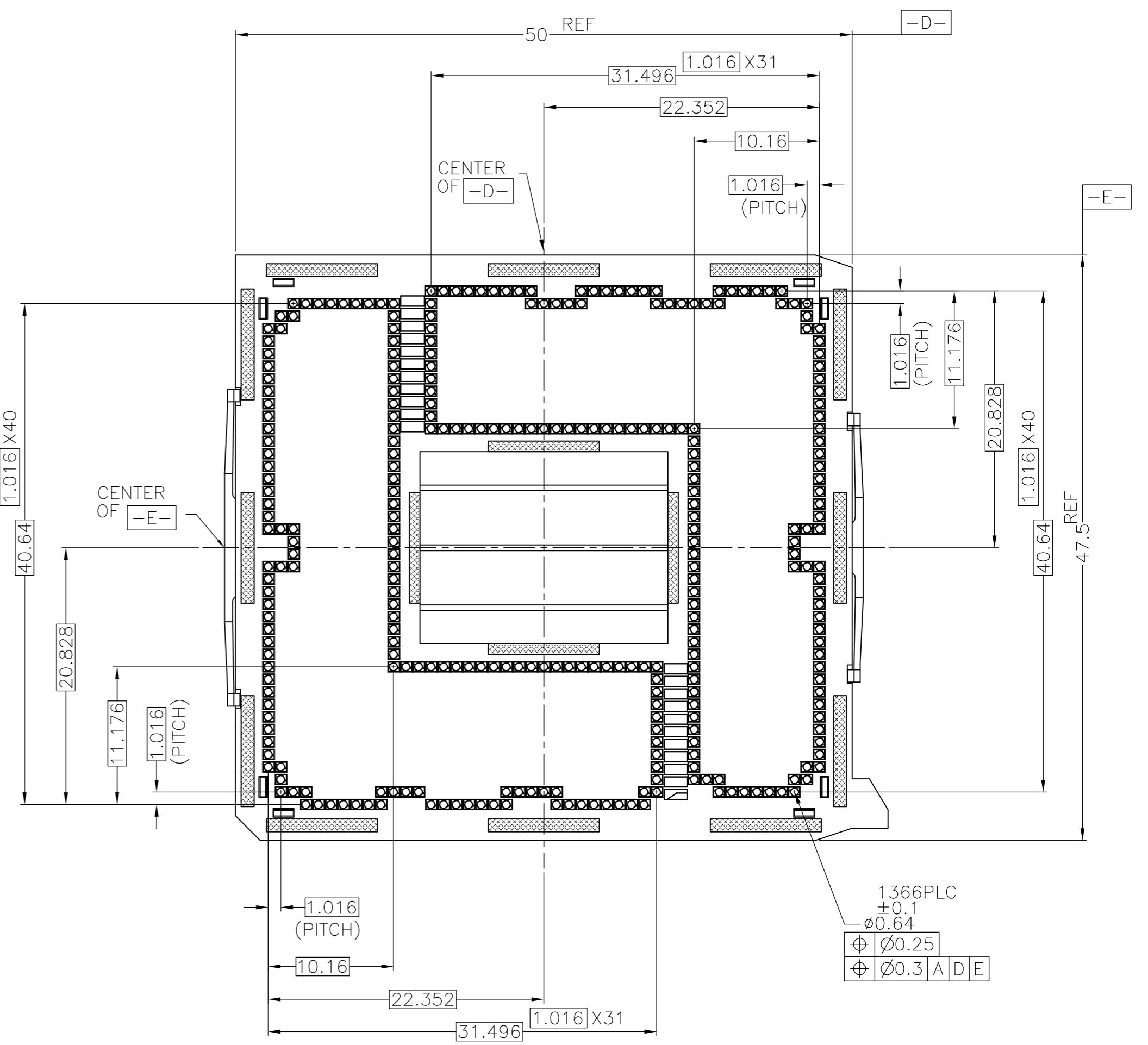
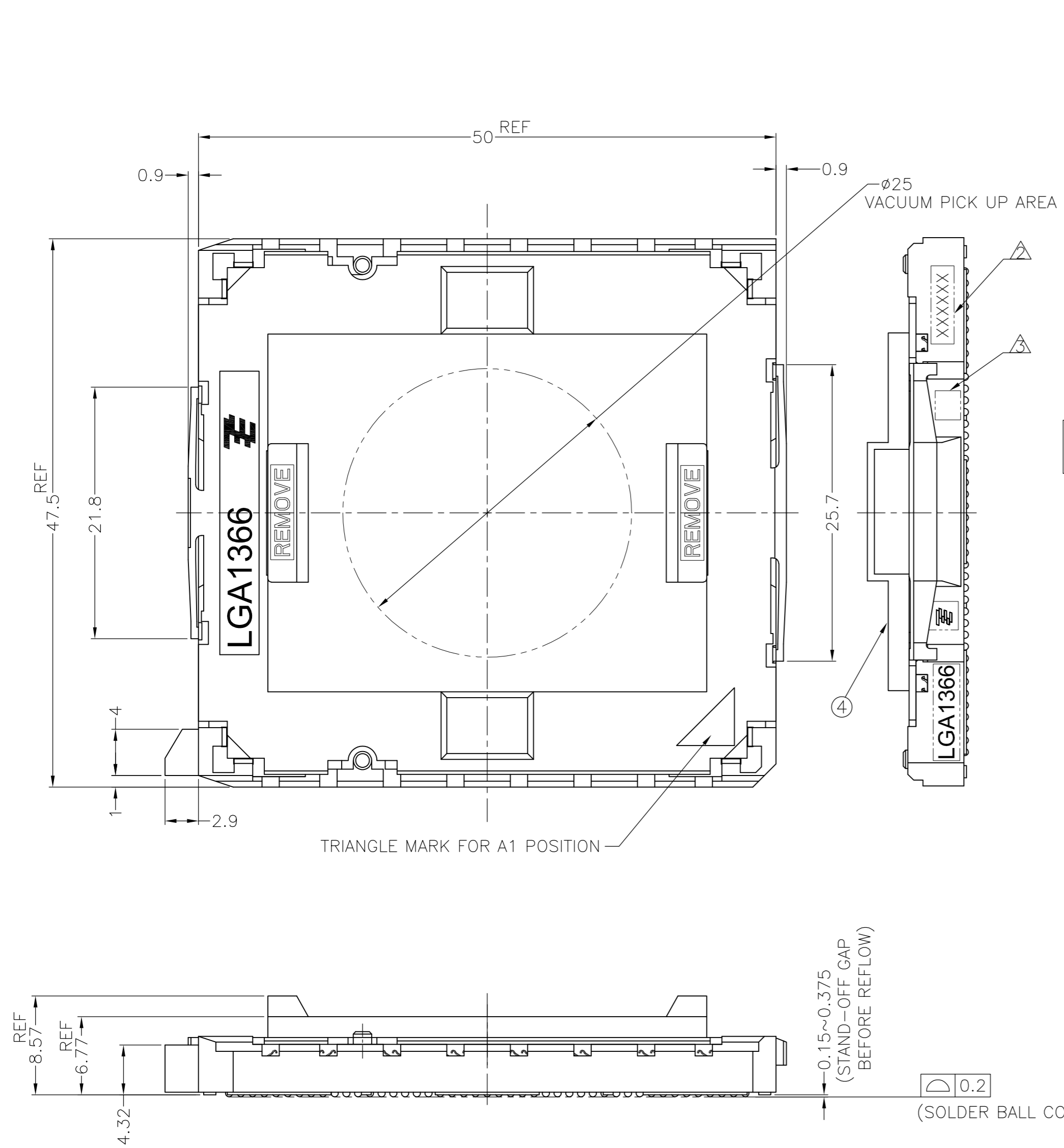
1. MATERIAL
- ① HOUSING : HIGH TEMP, THERMO-PLASTIC, UL94V-0, BLACK
  - ② CONTACT : COPPER ALLOY  
FINISH : Au PL. AT CONTACT AREA ON OVERALL OVER Ni UNDER PL. 0.00127 MIN.
  - ③ SOLDER BALL : Sn/Ag/Cu FOR LEAD FREE PRODUCT.
  - ④ CAP : HIGH TEMP. THERMO-PLASTIC, UL94V-0, BLACK
- △ INDICATED DATE CODE ON THE HSG  
 △ INDICATED "Pb" FOR LEADED SOLDER BALL PRODUCT

0.76 um MIN	LEADED	1-1981837-2
0.76 um MIN	LEAD FREE	1981837-2
0.38 um MIN	LEAD FREE	1981837-1
Au AT CONTACT AREA	SOLDER BALL	PART NUMBER

THIS DRAWING IS A CONTROLLED DOCUMENT.		DWN H.TAGUCHI 28AUG2007	Tyco Electronics Corporation Kawasaki, Japan	
DIMENSIONS: mm		CHK S.HASHIMOTO 28AUG2007		
TOLERANCES UNLESS OTHERWISE SPECIFIED:		APVD S.HASHIMOTO 28AUG2007		
0 PLC ± 1 PLC ± 2 PLC ± 3 PLC ± 4 PLC ± ANGLES ± FINISH ±		NAME S.HASHIMOTO PRODUCT SPEC		
MATERIAL		APPLICATION SPEC	SIZE A2	CAGE CODE 00779
		WEIGHT 13.4 g	DRAWING NO C=1981837	RESTRICTED TO -
		CUSTOMER DRAWING	SCALE 1:1	SHEET 1 of 4
			REV C2	

THIS DRAWING IS UNPUBLISHED. RELEASED FOR PUBLICATION  
 © COPYRIGHT BY TYCO ELECTRONICS CORPORATION. ALL RIGHTS RESERVED.

LOC	DIST	REVISIONS			
P	LTR	DESCRIPTION	DATE	DWN	APVD
-	-	SEE SHEET 1	-	-	-



1366PLC	±0.1
ø0.64	
⊕ ø0.25	
⊕ ø0.3 A D E	

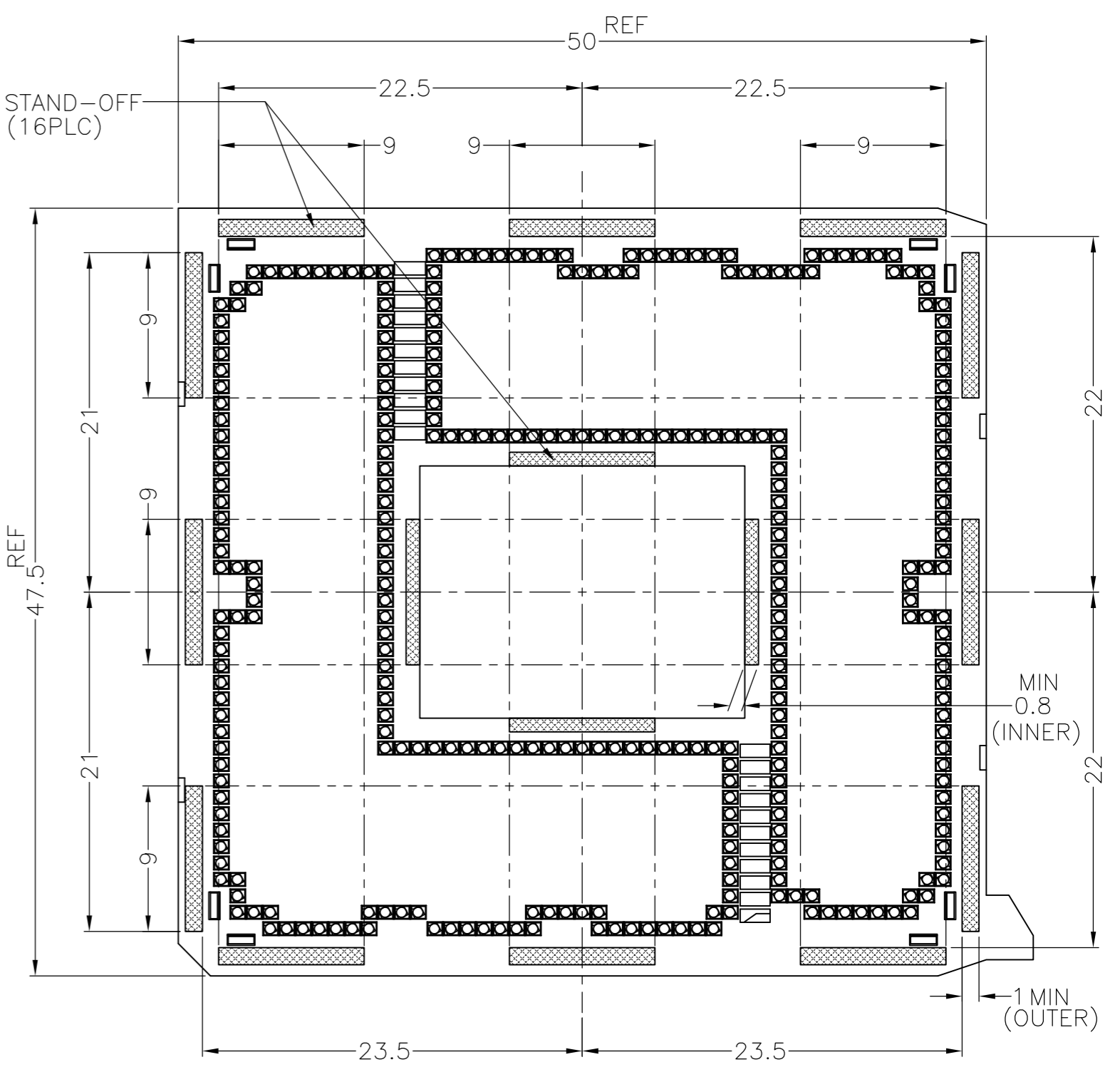
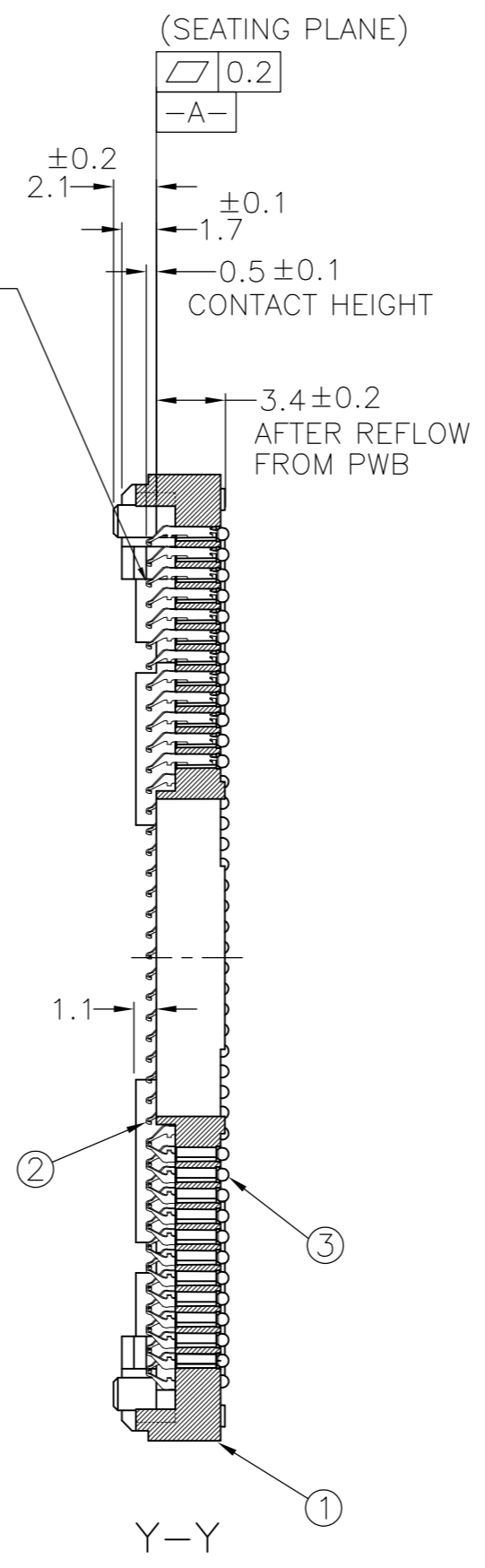
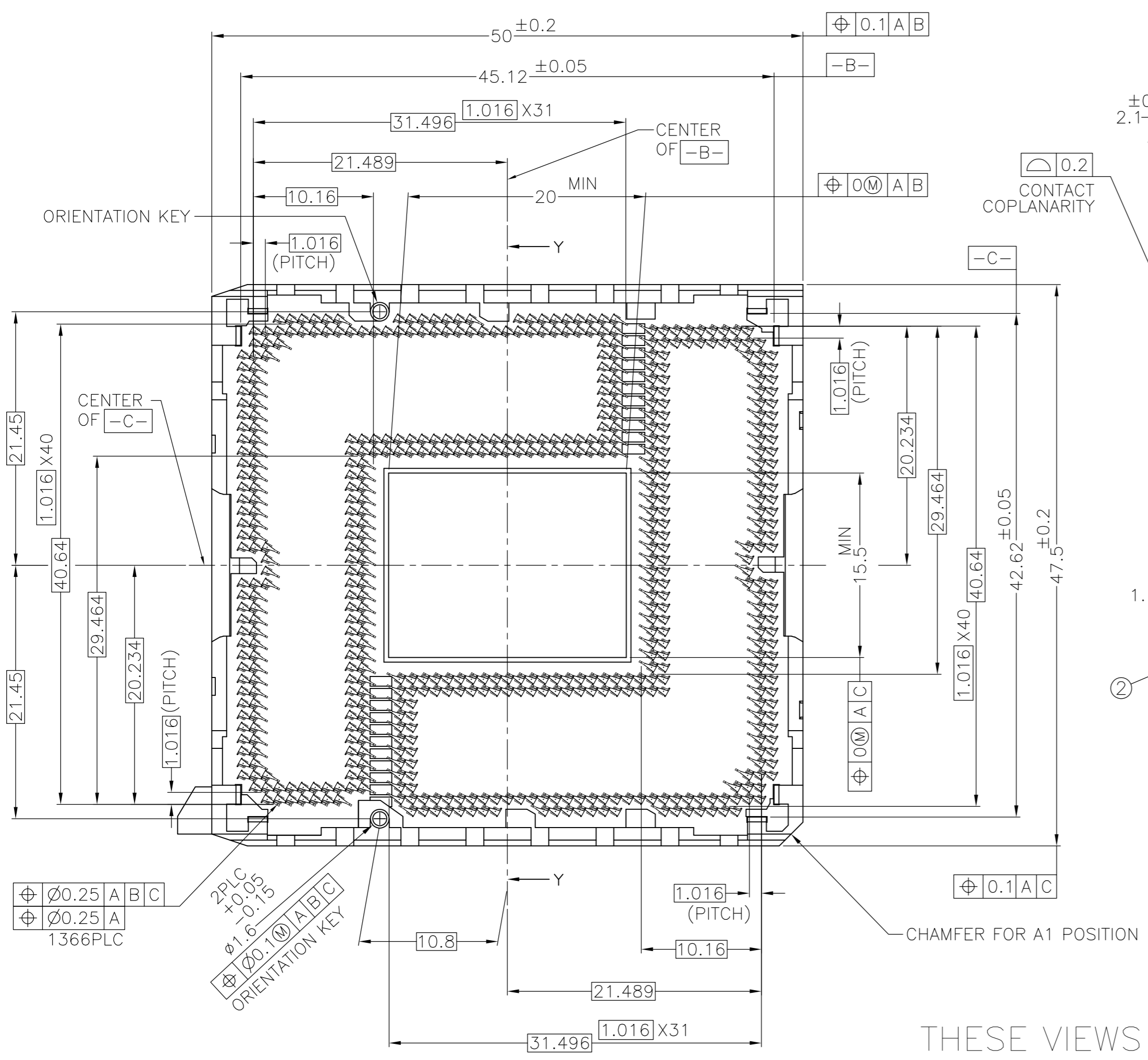
0.2  
 (SOLDER BALL COPLANARITY)

1-1981837-2, 1981837-1&-2 : AS SHOWN

THIS DRAWING IS A CONTROLLED DOCUMENT.		DWN	Tyco Electronics Corporation Kawasaki, Japan	
DIMENSIONS: mm		CHK	NAME: SOCKET ASSY LGA1366	
TOLERANCES UNLESS OTHERWISE SPECIFIED:		APVD	SIZE: A2	CAGE CODE: 00779
0 PLC ± 0.3	1 PLC ± 0.3	PRODUCT SPEC	DRAWING NO: C=1981837	RESTRICTED TO: -
2 PLC ± 0.3	3 PLC ± 0.3	APPLICATION SPEC	SCALE: NTS	SHEET: 2 of 4
4 PLC ± 0.3	ANGLES ± 3°	WEIGHT	REV: C2	
MATERIAL: -	FINISH: -	CUSTOMER DRAWING		

THIS DRAWING IS UNPUBLISHED. RELEASED FOR PUBLICATION  
 © COPYRIGHT BY TYCO ELECTRONICS CORPORATION. ALL RIGHTS RESERVED.

LOC		DIST		REVISIONS			
P	LTR	DESCRIPTION	DATE	DWN	APVD		
		SEE SHEET 1					



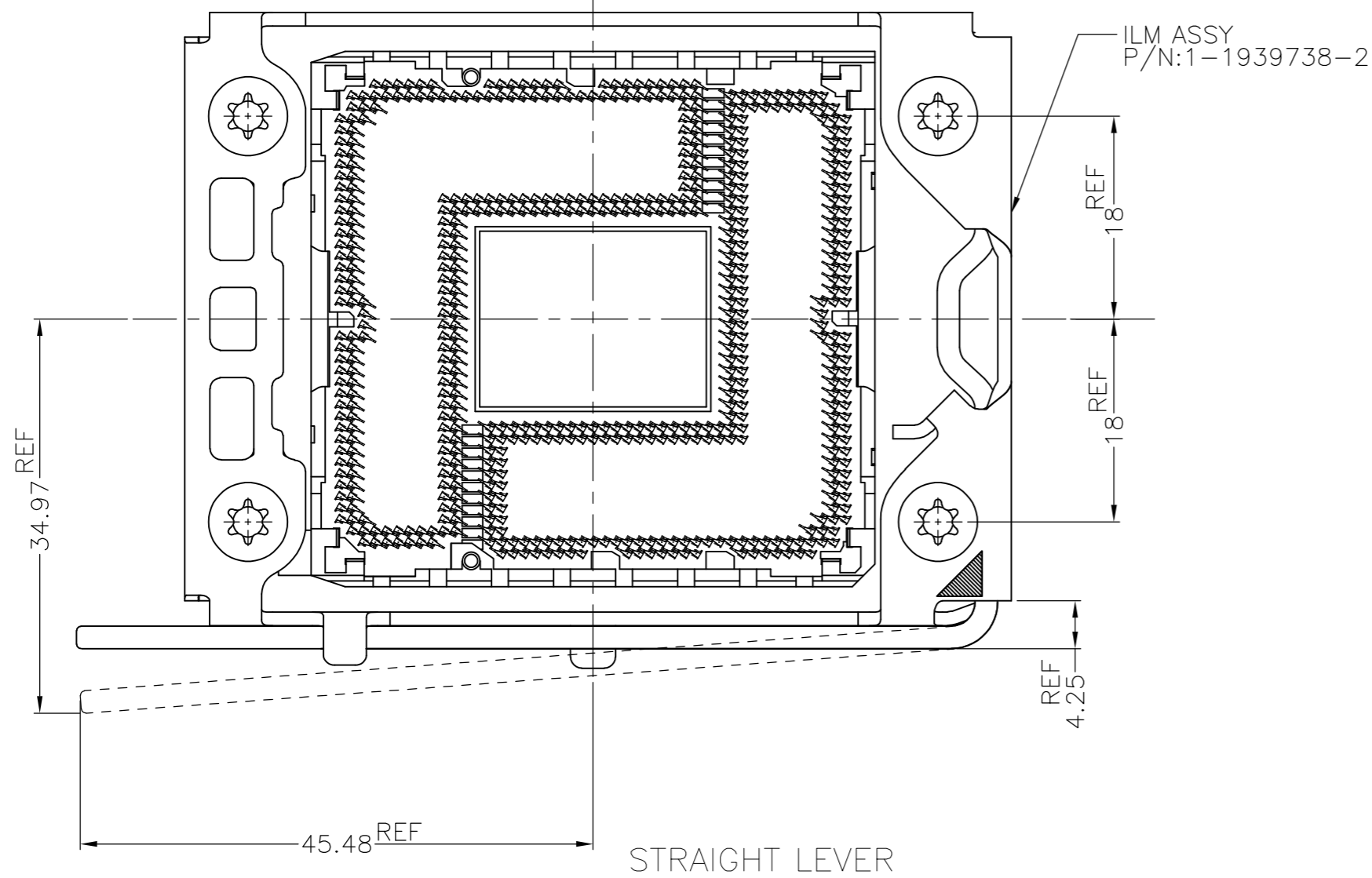
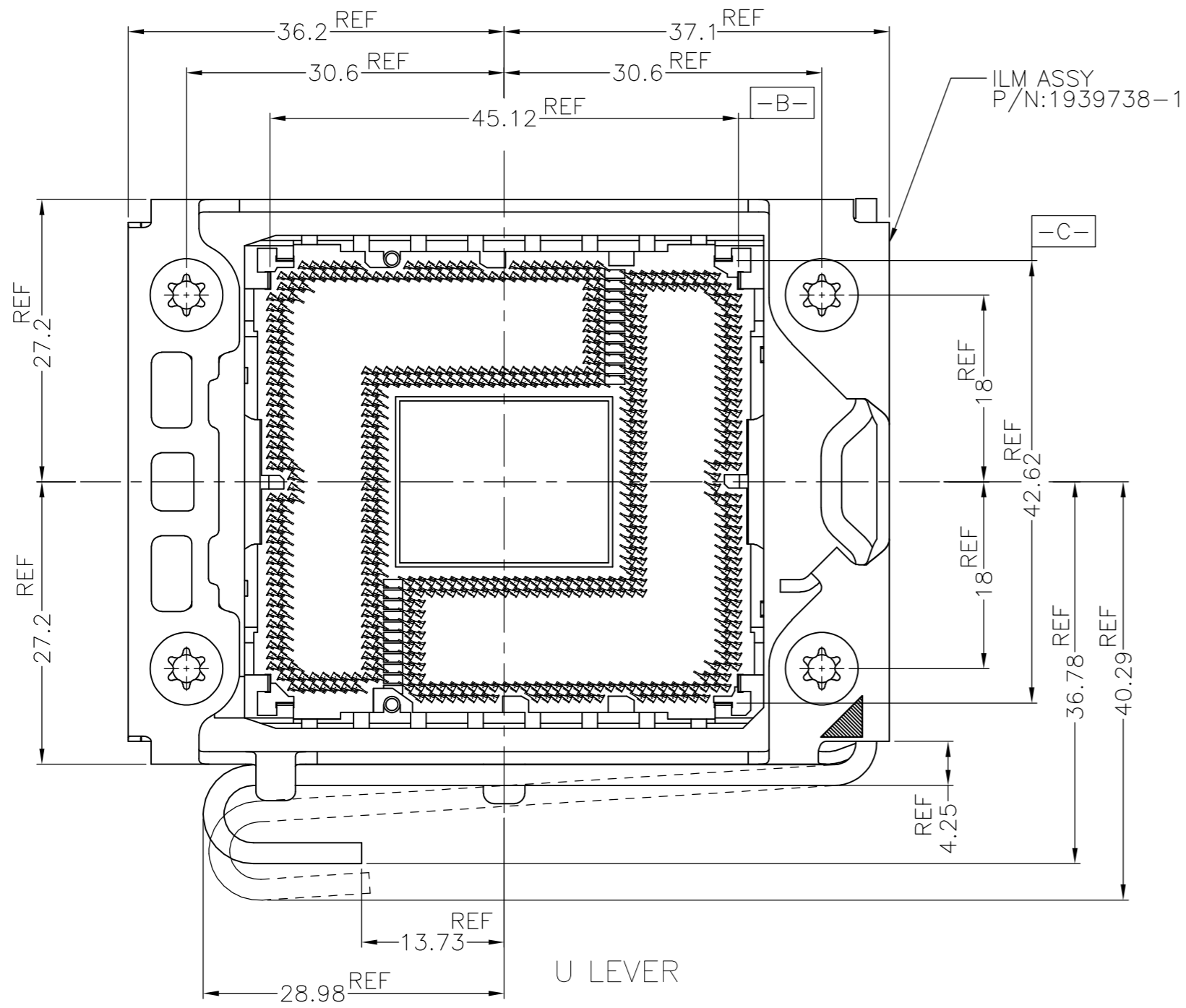
THESE VIEWS DON'T SHOW CAP

Ø0.25 A B C	2 PLC +0.05
Ø0.25 A	-0.15
1366PLC	
Ø1.6	
Ø0.1 (M) A B C	
ORIENTATION KEY	

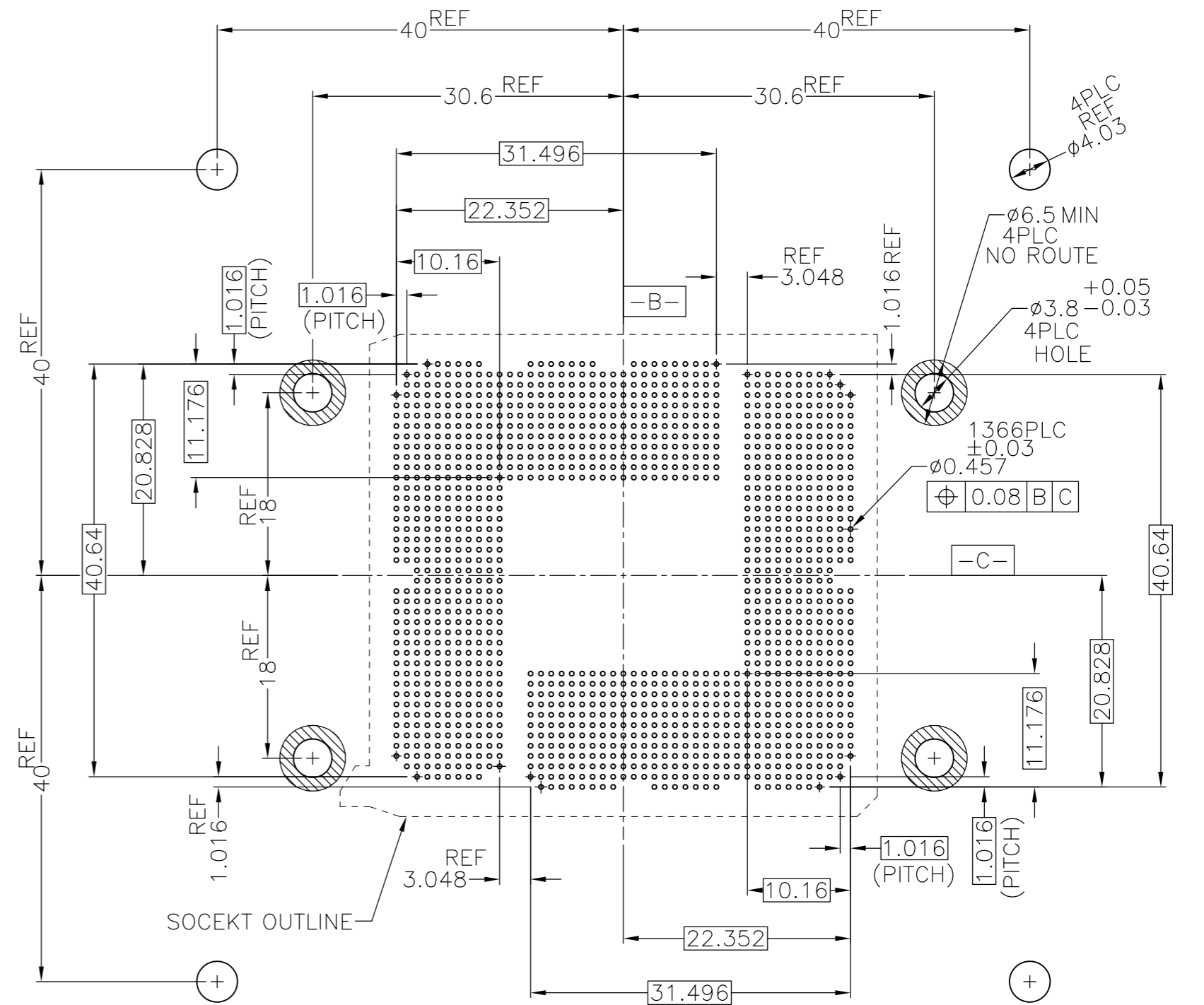
THIS DRAWING IS A CONTROLLED DOCUMENT.		DWN	Tyco Electronics Corporation	
DIMENSIONS: mm		CHK	Kawasaki, Japan	
TOLERANCES UNLESS OTHERWISE SPECIFIED:		APVD	NAME	
0 PLC ± 0.3		PRODUCT SPEC	SOCKET ASSY	
1 PLC ± 0.3		APPLICATION SPEC	LGA1366	
2 PLC ± 0.3		WEIGHT	SIZE	CAGE CODE
3 PLC ± 0.3			A2	00779
4 PLC ± 0.3		CUSTOMER DRAWING	DRAWING NO	RESTRICTED TO
ANGLES ± 3°			C=1981837	
FINISH		SCALE	SHEET	REV
		NTS	3 OF 4	C2

THIS DRAWING IS UNPUBLISHED. RELEASED FOR PUBLICATION  
 © COPYRIGHT BY TYCO ELECTRONICS CORPORATION. ALL RIGHTS RESERVED.

LOC		DIST		REVISIONS			
P	LTR	DESCRIPTION	DATE	DWN	APVD		
-	-	SEE SHEET 1	-	-	-		



ILM ASSEMBLY OCCUPATION AREA (REFERENCE)  
 CAP AND LOAD PLATE ARE NOT SHOWN ON THIS VIEW



REFERENCE PATTERN LAYOUT

THIS DRAWING IS A CONTROLLED DOCUMENT.		DWN	Tyco Electronics Corporation Kawasaki, Japan	
DIMENSIONS: mm		CHK	NAME	
TOLERANCES UNLESS OTHERWISE SPECIFIED:		APVD	SOCKET ASSY LGA1366	
0 PLC ± 0.3		PRODUCT SPEC	SIZE	CAGE CODE
1 PLC ± 0.3		APPLICATION SPEC	A2	00779
2 PLC ± 0.3		WEIGHT	DRAWING NO	RESTRICTED TO
3 PLC ± 0.3		CUSTOMER DRAWING	C=1981837	-
4 PLC ± 0.3		SCALE	NTS	SHEET 4 OF 4
ANGLES ± 3°		REV	C2	
FINISH				