

FIG. 1

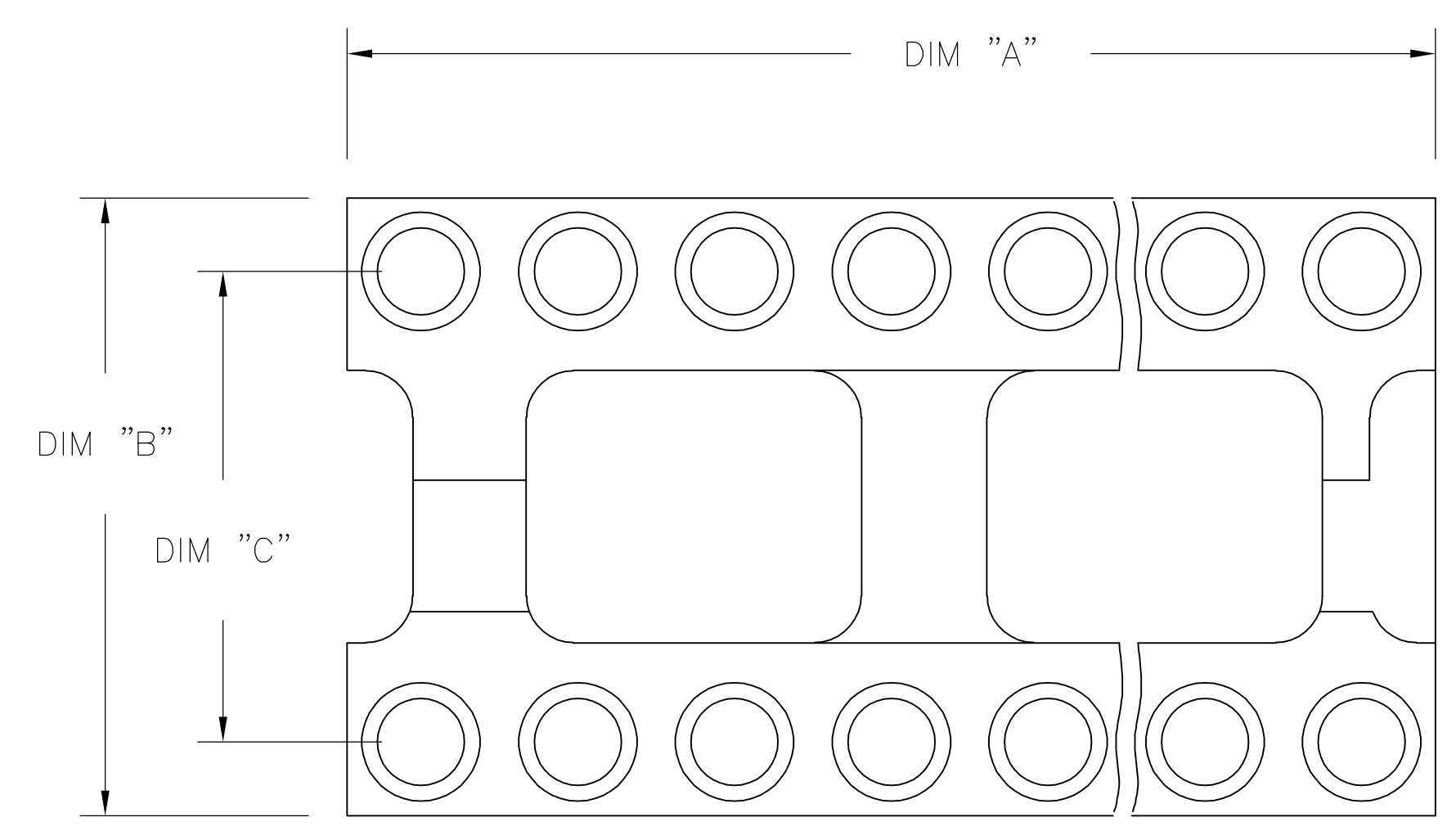


FIG. 2

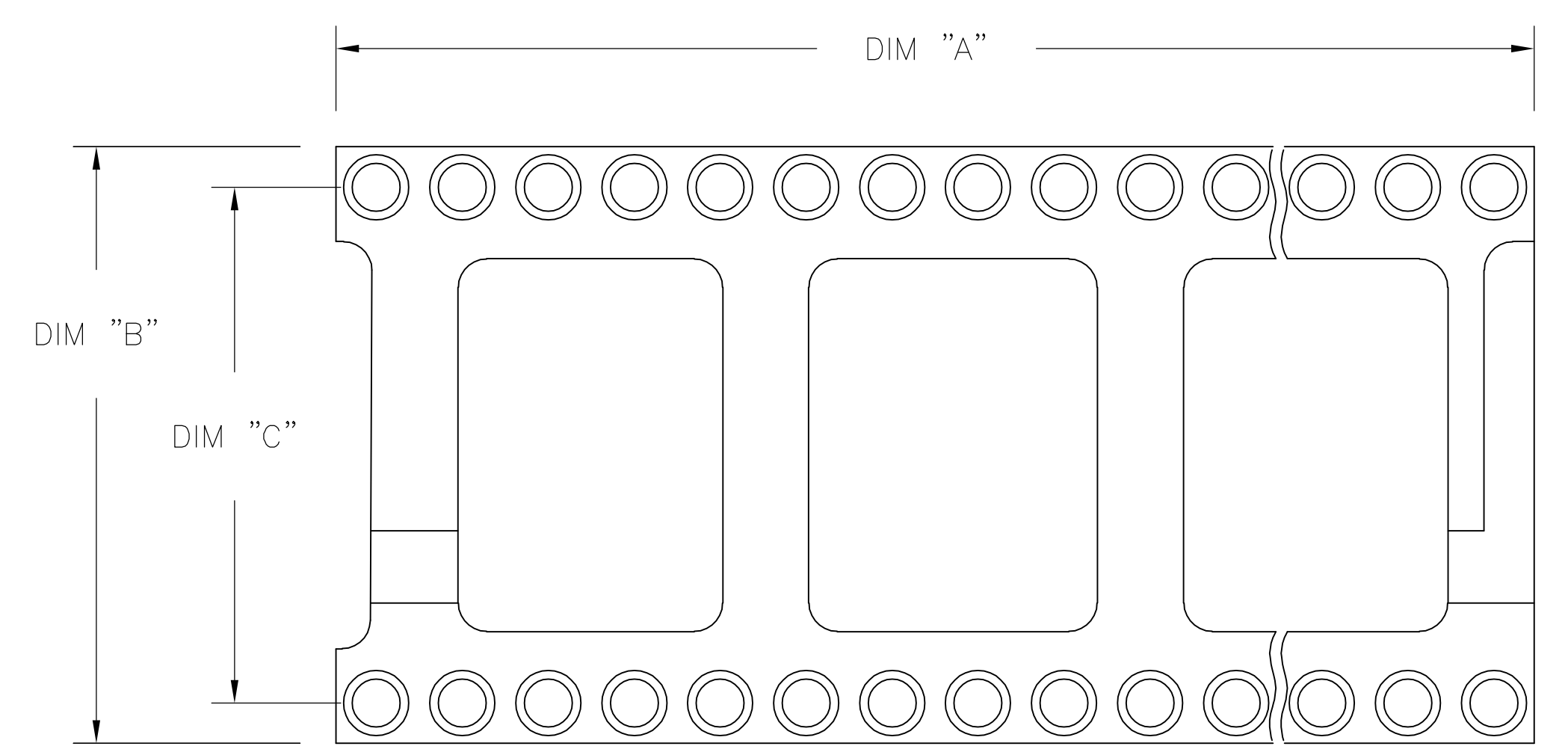
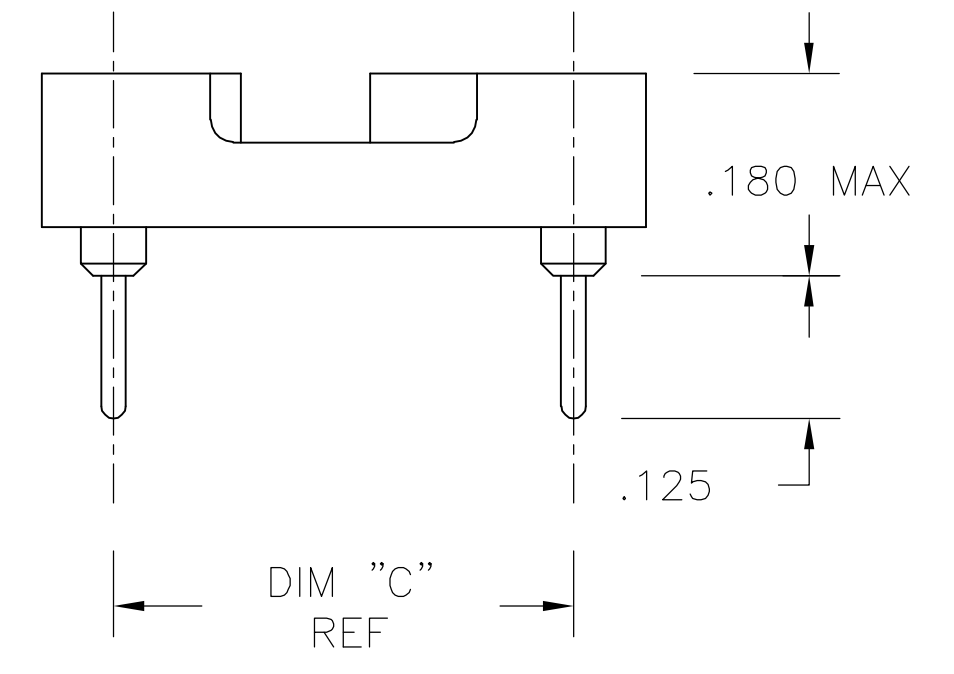
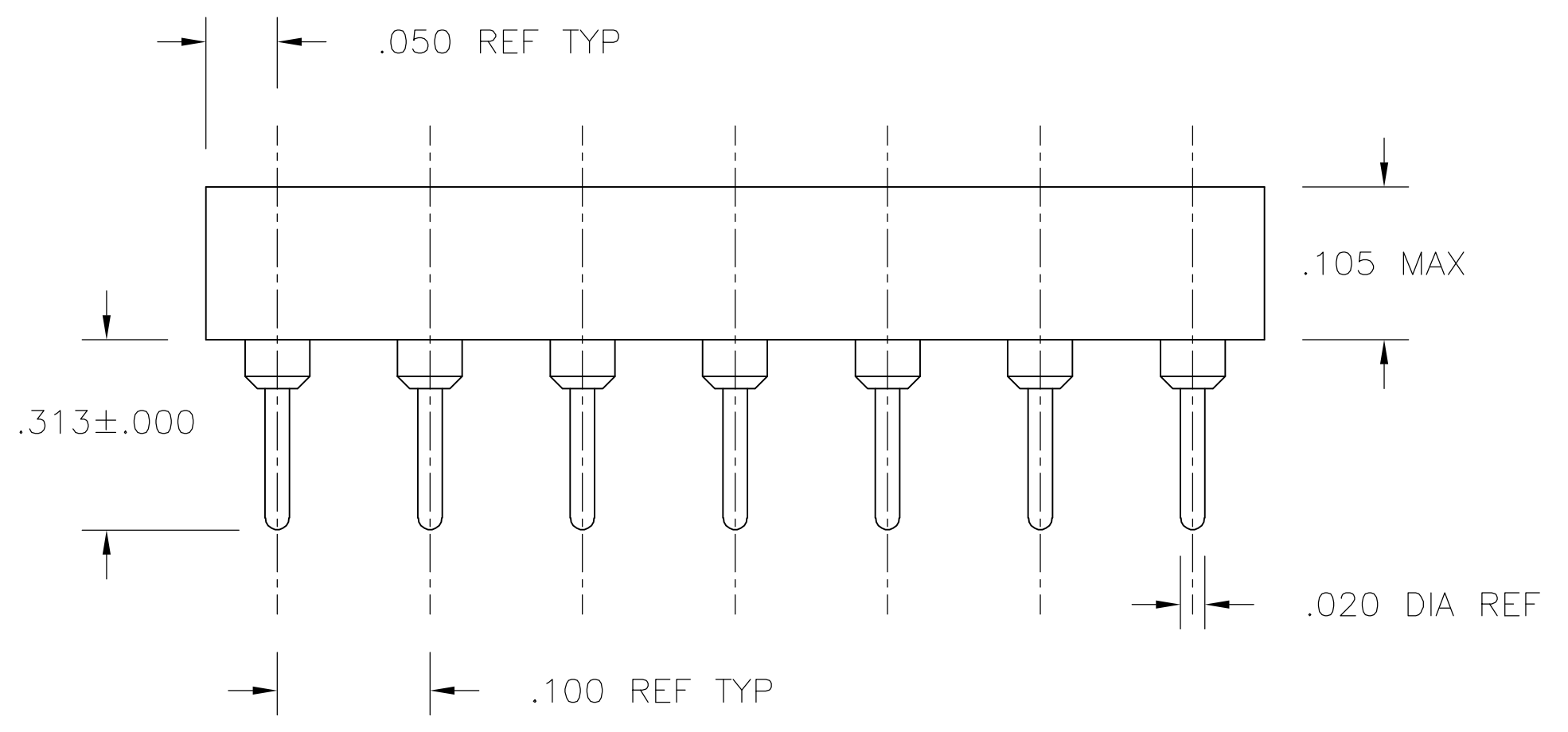
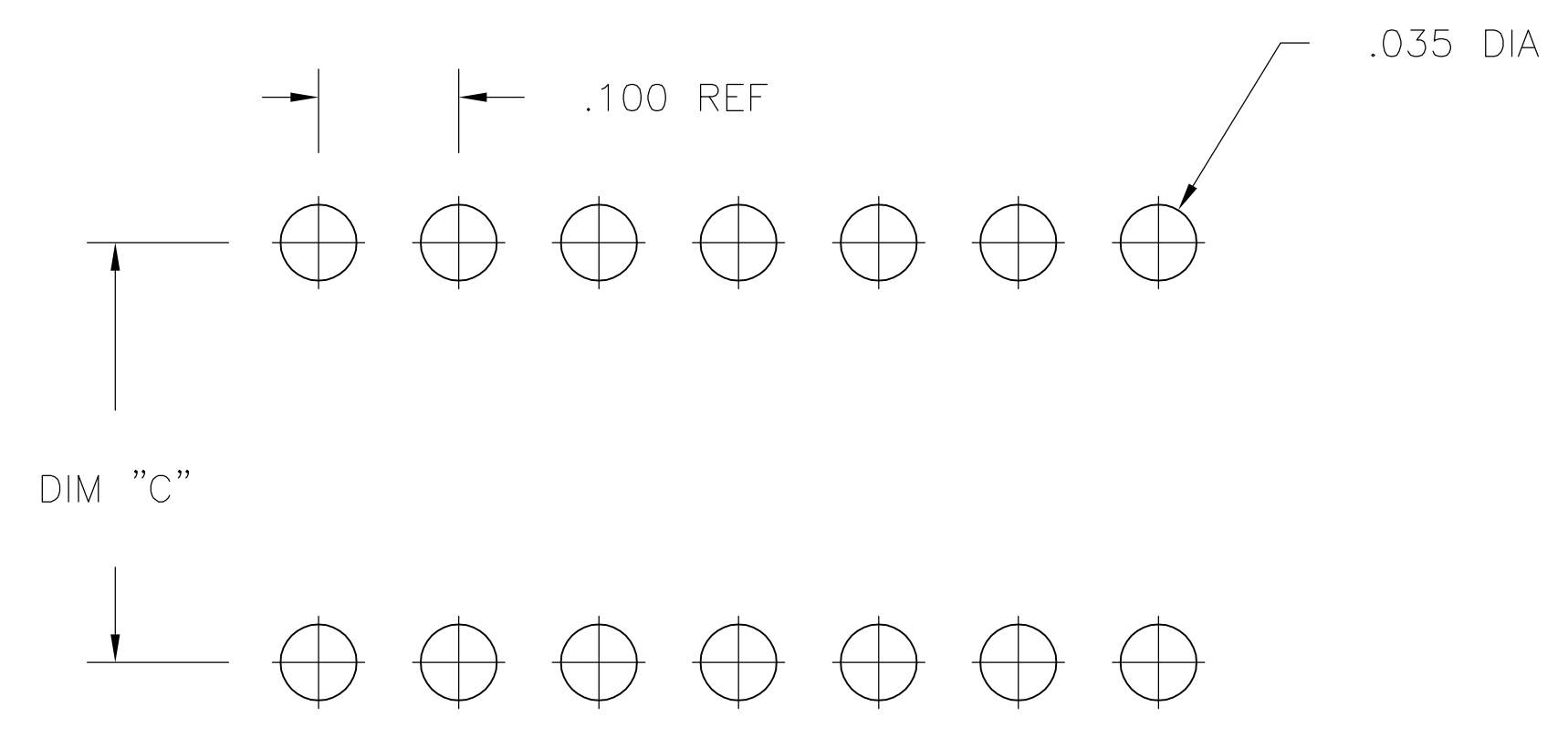


FIG. 3



1. INSULATOR MATERIAL - THERMOPLASTIC POLYESTER, PCT, BLACK, UL94 V-0
2. STAMPED CONTACT - BECU, PLATED WITH 80-200μ" TIN (LEAD FREE) OVER 75-100μ" COPPER.
3. SLEEVE - COPPER, PLATED WITH 180-340μ" THK TIN (LEAD FREE) OVER 75-125μ" MIN NICKEL.
5. STAMPED CONTACT-BECU, PLATED WITH GOLD FLASH OVER 50-100μ" NICKEL
6. STAMPED CONTACT-BECU, PLATED WITH 20μ" MIN GOLD OVER 30-100μ" NICKEL.
7. ELECTRICAL:
 CONTACT RESISTANCE: 10 MILLIOHMS MAX
 CONTACT RATING: 3 AMPS
 CAPACITANCE: 1.0 pF PER MIL-STD-202, METHOD 305
 INSULATION RESISTANCE: 5000 OHMS MIN @ 500 VDC PER MIL-STD-1344, METHOD 3003.1
 DIELECTRIC WITHSTANDING VOLTAGE: 1000 VOLTS (RMS) PER MIL-STD-1344, METHOD 3001.1
8. MECHANICAL:
 INSERTION FORCE: 179 GRAMS AVG
 WITHDRAWAL FORCE: 63 GRAMS AVG
 "ACCEPTS IC PIN - .009"x.015" THROUGH .011"x.020", OR .016" TO .021" DIAMETER, .150/.105 LONG"
9. ENVIRONMENTAL:
 OPERATING TEMPERATURE: -55°C TO -105°C



P.C.B. HOLE LAYOUT
 TOLERANCE ±.003

THIS DRAWING IS A CONTROLLED DOCUMENT.		DWN: BSV	27JUL2004	Tyco Electronics Corporation Harrisburg, Pa 17105-3608
DIMENSIONS: INCHES		CHK: -	NAME: K. WRIGHT	
TOLERANCES UNLESS OTHERWISE SPECIFIED:		APPROD: PRODUCT SPEC		OPEN FRAME DIP, ECONOMY (STAMPED CONTACT) LEAD FREE (REF AUGAT 800 SERIES)
0 PLC ± - 1 PLC ± - 2 PLC ± - 3 PLC ± .005 4 PLC ± - ANGLES ± - FINISH -		APPLICATION SPEC		
MATERIAL: -		SIZE: A1	CAGE CODE: 00779	DRAWING NO: 1571552
		CUSTOMER DRAWING		RESTRICTED TO: -
		SCALE: 4:1	SHEET: 1 OF 2	REV: E

LOC	DIST	REVISIONS				
AD	00	REV	DATE	BY	APPV	
-	-	1	SEE SHEET 1	-	-	

FINISH CONTACT/SLEEVE	"C" MAX	"B" MAX	"A" MAX	FIG	NO. OF POSN	PART NO.
△△3/6 GOLD/TIN	.400±.005	.500	1.200	2	24	5-1571552-7
△△3/6 GOLD/TIN	.300±.005	.400	1.200	2	24	5-1571552-6
△△3/6 GOLD/TIN	.900±.005	1.000	3.200	3	64	5-1571552-5
△△3/6 GOLD/TIN	.600±.005	.700	2.400	3	48	5-1571552-4
△△3/6 GOLD/TIN	.600±.005	.700	2.100	3	42	5-1571552-3
△△3/6 GOLD/TIN	.600±.005	.700	2.000	3	40	5-1571552-2
△△3/6 GOLD/TIN	.600±.005	.700	1.800	3	36	5-1571552-1
△△3/6 GOLD/TIN	.600±.005	.700	1.600	3	32	5-1571552-0
△△3/6 GOLD/TIN	.600±.005	.700	1.400	2	28	4-1571552-9
△△3/6 GOLD/TIN	.600±.005	.700	1.200	2	24	4-1571552-8
△△3/6 GOLD/TIN	.400±.005	.500	1.100	2	22	4-1571552-7
△△3/6 GOLD/TIN	.300±.005	.400	1.000	2	20	4-1571552-6
△△3/6 GOLD/TIN	.300±.005	.400	.900	2	18	4-1571552-5
△△3/6 GOLD/TIN	.300±.005	.400	.800	2	16	4-1571552-4
△△3/6 GOLD/TIN	.300±.005	.400	.700	2	14	4-1571552-3
△△3/6 GOLD/TIN	.300±.005	.400	.600	2	12	4-1571552-2
△△3/5 G F/TIN	.400±.005	.500	1.200	2	24	3-1571552-7
△△3/5 G F/TIN	.300±.005	.400	1.200	2	24	3-1571552-6
△△3/5 G F/TIN	.900±.005	1.000	3.200	3	64	3-1571552-5
△△3/5 G F/TIN	.600±.005	.700	2.400	3	48	3-1571552-4
△△3/5 G F/TIN	.600±.005	.700	2.100	3	42	3-1571552-3
△△3/5 G F/TIN	.600±.005	.700	2.000	3	40	3-1571552-2
△△3/5 G F/TIN	.600±.005	.700	1.800	3	36	3-1571552-1
△△3/5 G F/TIN	.600±.005	.700	1.600	3	32	3-1571552-0
△△3/5 G F/TIN	.600±.005	.700	1.400	2	28	2-1571552-9
△△3/5 G F/TIN	.600±.005	.700	1.200	2	24	2-1571552-8
△△3/5 G F/TIN	.400±.005	.500	1.100	2	22	2-1571552-7
△△3/5 G F/TIN	.300±.005	.400	1.000	2	20	2-1571552-6
△△3/5 G F/TIN	.300±.005	.400	.900	2	18	2-1571552-5
△△3/5 G F/TIN	.300±.005	.400	.800	2	16	2-1571552-4
△△3/5 G F/TIN	.300±.005	.400	.700	2	14	2-1571552-3
△△3/5 G F/TIN	.300±.005	.400	.600	2	12	2-1571552-2
△△3/2 TIN/TIN	.400±.005	.500	1.200	2	24	1-1571552-7
△△3/2 TIN/TIN	.300±.005	.400	1.200	2	24	1-1571552-6
△△3/2 TIN/TIN	.900±.005	1.000	3.200	3	64	1-1571552-5
△△3/2 TIN/TIN	.600±.005	.700	2.400	3	48	1-1571552-4
△△3/2 TIN/TIN	.600±.005	.700	2.100	3	42	1-1571552-3
△△3/2 TIN/TIN	.600±.005	.700	2.000	3	40	1-1571552-2
△△3/2 TIN/TIN	.600±.005	.700	1.800	3	36	1-1571552-1
△△3/2 TIN/TIN	.600±.005	.700	1.600	3	32	1-1571552-0
△△3/2 TIN/TIN	.600±.005	.700	1.400	2	28	1571552-9
△△3/2 TIN/TIN	.600±.005	.700	1.200	2	24	1571552-8
△△3/2 TIN/TIN	.400±.005	.500	1.100	2	22	1571552-7
△△3/2 TIN/TIN	.300±.005	.400	1.000	2	20	1571552-6
△△3/2 TIN/TIN	.300±.005	.400	.900	2	18	1571552-5
△△3/2 TIN/TIN	.300±.005	.400	.800	2	16	1571552-4
△△3/2 TIN/TIN	.300±.005	.400	.700	2	14	1571552-3
△△3/2 TIN/TIN	.300±.005	.400	.600	2	12	1571552-2

FINISH CONTACT/SLEEVE	"C" MAX	"B" MAX	"A" MAX	FIG	NO. OF POSN	PART NO.
-----------------------	---------	---------	---------	-----	-------------	----------

THIS DRAWING IS A CONTROLLED DOCUMENT.		DIN BSV 27JUL2004	Tyco Electronics Corporation Harrisburg, Pa 17105-3608		
DIMENSIONS: INCHES	TOLERANCES UNLESS OTHERWISE SPECIFIED:	APVD K. WRIGHT	NAME OPEN FRAME DIP, ECONOMY (STAMPED CONTACT) LEAD FREE (REF AUGAT 800 SERIES)		
0 PLC ± -	1 PLC ± -	PRODUCT SPEC	SIZE	CAGE CODE	DRAWING NO
2 PLC ± -	3 PLC ± .005	APPLICATION SPEC	A1	00779	1571552
4 PLC ± -	ANGLES ± -	WEIGHT	CUSTOMER DRAWING		
MATERIAL	FINISH	SCALE	1:1	SHEET	2 OF 2