

# IC120 Series (Open Top)

# Plastic Lead Chip Carrier (PLCC)

## Specifications

Insulation Resistance: 1,000MΩ min. at 500V DC  
 Dielectric Withstanding Voltage: 700V AC for 1 minute  
 Contact Resistance: 30mΩ max. at 10mA/20mV max.  
 Current Rating: 1A max.  
 Operating Temperature Range: -40°C to +170°C  
 Mating Cycles: 10,000 insertions min.

## Materials and Finish

Housing: Upper body - Polyphenylenesulfide (PPS)  
 Lower body - Polyetherimide (PEI), glass-filled  
 Contacts: Beryllium Copper (BeCu)  
 Plating: Gold over Nickel

## Features

- Two-point contacts and a larger contact width ensures high reliability
- Auto-ejecting type for automated operation (IC is inserted in "one touch" operation and pushing the cover raises it for easy IC removal)
- Available for two types of IC orientation (Live-bug & Dead-bug)

## Part Number (Details)

**IC120 - 068 4 - 0 04 MF**

Series No. [068]

No. of Contact Pins [4]

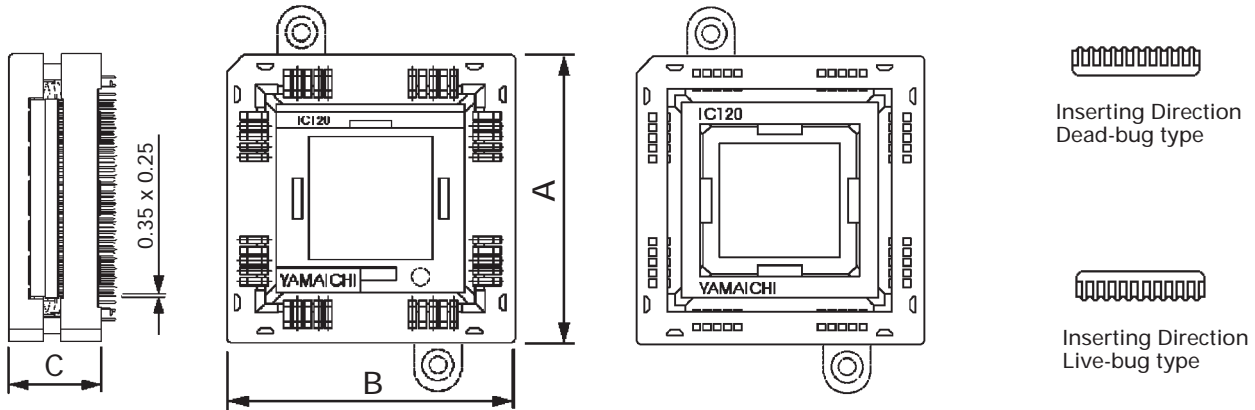
Number of Sides with Contacts [0]

Terminal Arrangement and IC Orientation (see table below) [04]

Design Number [MF]

MF = Flanged  
 Unmarked = Not Flanged

## Applicable Socket Dimensions (Reference Only)



Part Number	Pin Count	Inserting Direction of IC	Socket Dimensions		
			A	B	C
IC120-0444-006	44	Dead-bug	28.0	28.0	18.0
IC120-0444-106	44	Live-bug	28.0	28.0	19.3
*IC120-0444-206	44	Dead-bug	28.0	28.0	18.0
*IC120-0444-306	44	Live-bug	28.0	28.0	19.3
IC120-0444-406	44	Dead-bug	28.0	28.0	18.0
IC120-0444-506	44	Live-bug	28.0	28.0	19.3
IC120-0524-007	52	Dead-bug	30.0	30.0	18.0
IC120-0524-107	52	Live-bug	30.0	30.0	19.3
*IC120-0524-207	52	Dead-bug	30.0	30.0	18.0
*IC120-0524-307	52	Live-bug	30.0	30.0	19.3
IC120-0524-407	52	Dead-bug	30.0	30.0	18.0
IC120-0524-507	52	Live-bug	30.0	30.0	19.3
IC120-0684-004	68	Dead-bug	35.0	35.0	18.0
IC120-0684-104	68	Live-bug	35.0	35.0	19.3
*IC120-0684-204	68	Dead-bug	35.0	35.0	18.0
*IC120-0684-304	68	Live-bug	35.0	35.0	19.3
IC120-0684-404	68	Dead-bug	35.0	35.0	18.0
IC120-0684-504	68	Live-bug	35.0	35.0	19.3
IC120-0844-003	84	Dead-bug	40.0	40.0	18.0
IC120-0844-103	84	Live-bug	40.0	40.0	19.3
IC120-0844-203	84	Dead-bug	40.0	40.0	18.0
IC120-0844-303	84	Live-bug	40.0	40.0	19.3
IC120-0844-403	84	Dead-bug	40.0	40.0	18.0
IC120-0844-503	84	Live-bug	40.0	40.0	19.3

\* Most compatible socket type (3 different PCB-layout options available)

# IC120 - Open Top

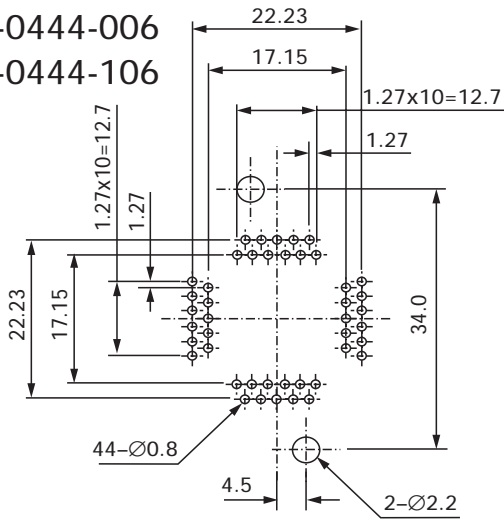
# Plastic Lead Chip Carrier (PLCC)

## Recommended PCB Layouts (44 to 68 pins)

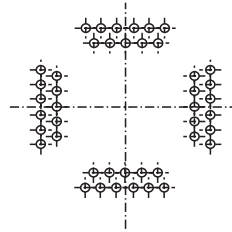
Top view from socket

### 44 pins

IC120-0444-006  
IC120-0444-106

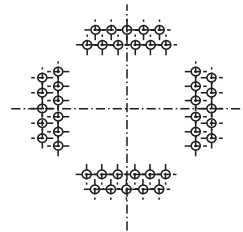


IC120-0444-206  
IC120-0444-306



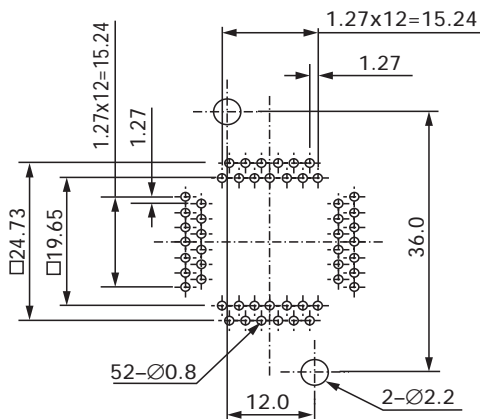
Most compatible socket type

IC120-0444-406  
IC120-0444-506

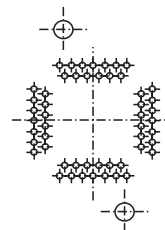


### 52 pins

IC120-0524-007  
IC120-0524-107

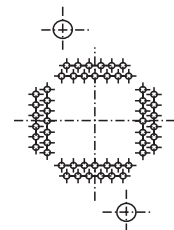


IC120-0524-207  
IC120-0524-307



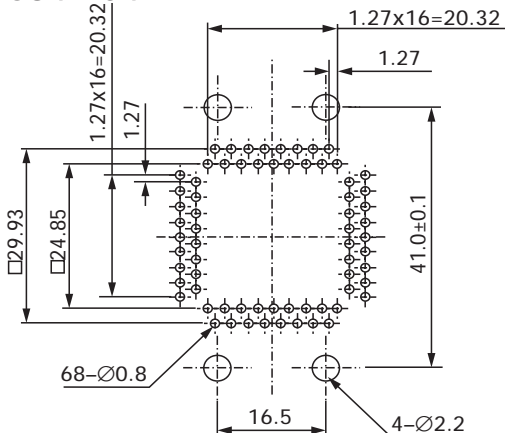
Most compatible socket type

IC120-0524-407  
IC120-0524-507

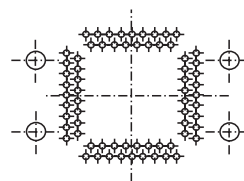


### 68 pins

IC120-0684-004  
IC120-0684-104

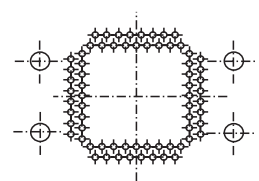


IC120-0684-204  
IC120-0684-304



Most compatible socket type

IC120-0684-404  
IC120-0684-504



# IC120 - Open Top

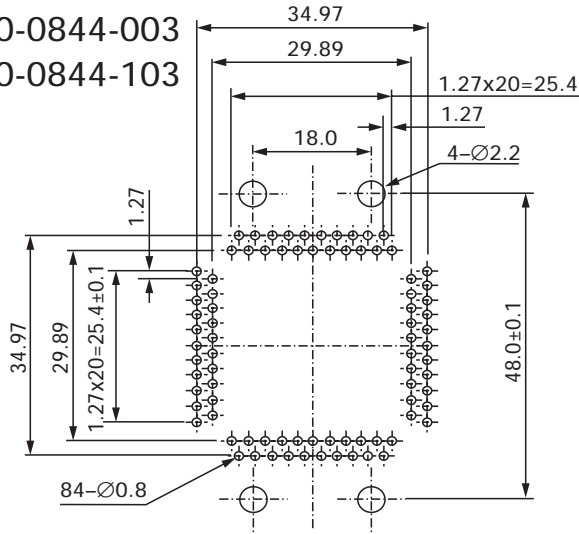
# Plastic Lead Chip Carrier (PLCC)

## Recommended PCB Layouts (84 pins)

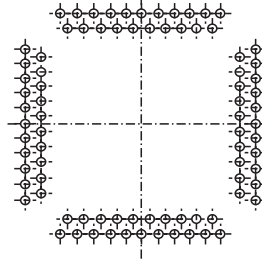
Top view from socket

### 84 pins

IC120-0844-003  
IC120-0844-103



IC120-0844-203  
IC120-0844-303



Most compatible socket type

IC120-0844-403  
IC120-0844-503

