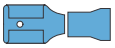
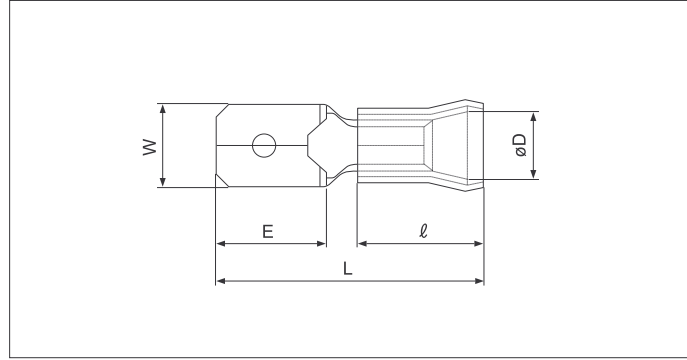
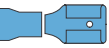


Solderless terminals



QUICK DISCONNECT *Male, Vinyl-insulated with copper sleeve*

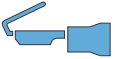


File No.: E70188 LR20812

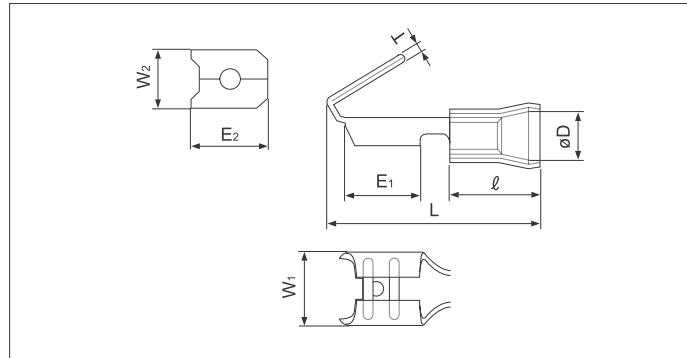
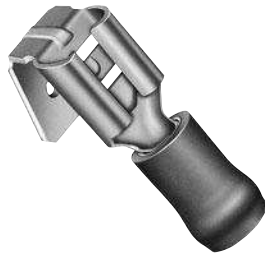
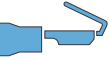
	Applicable Wire AWG#(mm ²)	Part No.	Standard	Dimensions mm (in.)							Color	Tool No.						Qty/box
				W	L	E	øD	l	Material Thickness	Mating Tab Thickness		YNT-2216	YNT-1614	YNT-1210S	YA-1	YA-2	YA-4	
250	22 to 16 (0.25 to 1.65)	FVDDM1.25-250		6.3 (.248)	20.5 (.807)	8.0 (.315)	3.5 (.138)	9.5 (.374)	0.4 (.016)	0.8 (.031)	Red	0		0	0	0	0	1,000
	16 to 14 (1.04 to 2.63)	FVDDM2 -250		6.3 (.248)	20.5 (.807)	8.0 (.315)	4.3 (.169)	9.5 (.374)	0.4 (.016)	0.8 (.031)	Blue		0	0	0	0	0	1,000
	12 to 10 (2.63 to 6.64)	FVDDM5.5 -250		6.3 (.248)	24.5 (.965)	8.5 (.335)	6.2 (.244)	13.5 (.531)	0.4 (.016)	0.8 (.031)	Yellow			0			0	500

Note:1) Delivery lead times may vary depending on the product. Contact JST for details.

Solderless terminals



PIGGYBACK *Vinyl-insulated with copper sleeve*



File No.: E70188 LR20812

	Applicable Wire AWG#(mm ²)	Part No.	Standard	Dimensions mm (in.)									Color	Tool No.						Qty/box	
				W		L	E		øD	l	Material Thickness	T		YNT-2216	YNT-1614	YA-1	YA-2	YA-4	BCT-0514		
				W ₁	W ₂		E ₁	E ₂						YNT-2216	YNT-1614	YA-1	YA-2	YA-4	BCT-0514		
250	22 to 16 (0.25 to 1.65)	FVDDFM1.25-250A		7.4 (.291)	6.3 (.248)	20.5 (.807)	7.8 (.307)	8.0 (.315)	3.5 (.138)	9.5 (.374)	0.4 (.016)	0.8 (.031)	Red	0		0	0	0	0	0	500
	16 to 14 (1.04 to 2.63)	FVDDFM2 -250A		7.6 (.299)	6.3 (.248)	22.0(.866)	7.8 (.307)	8.0 (.315)	4.3 (.170)	9.5 (.374)	0.4 (.016)	0.8 (.031)	Blue	0	0	0	0	0	0	0	500
		FVDDFM2 -250B		7.4 (.291)	6.3 (.248)	22.2(.874)	7.8 (.307)	8.0 (.315)	4.3 (.170)	9.5 (.374)	0.4 (.016)	0.8 (.031)									

Note:1) Terminals FVDDFM2-250A have no slits in the receptacle part.
2) Delivery lead times may vary depending on the product. Contact JST for details.