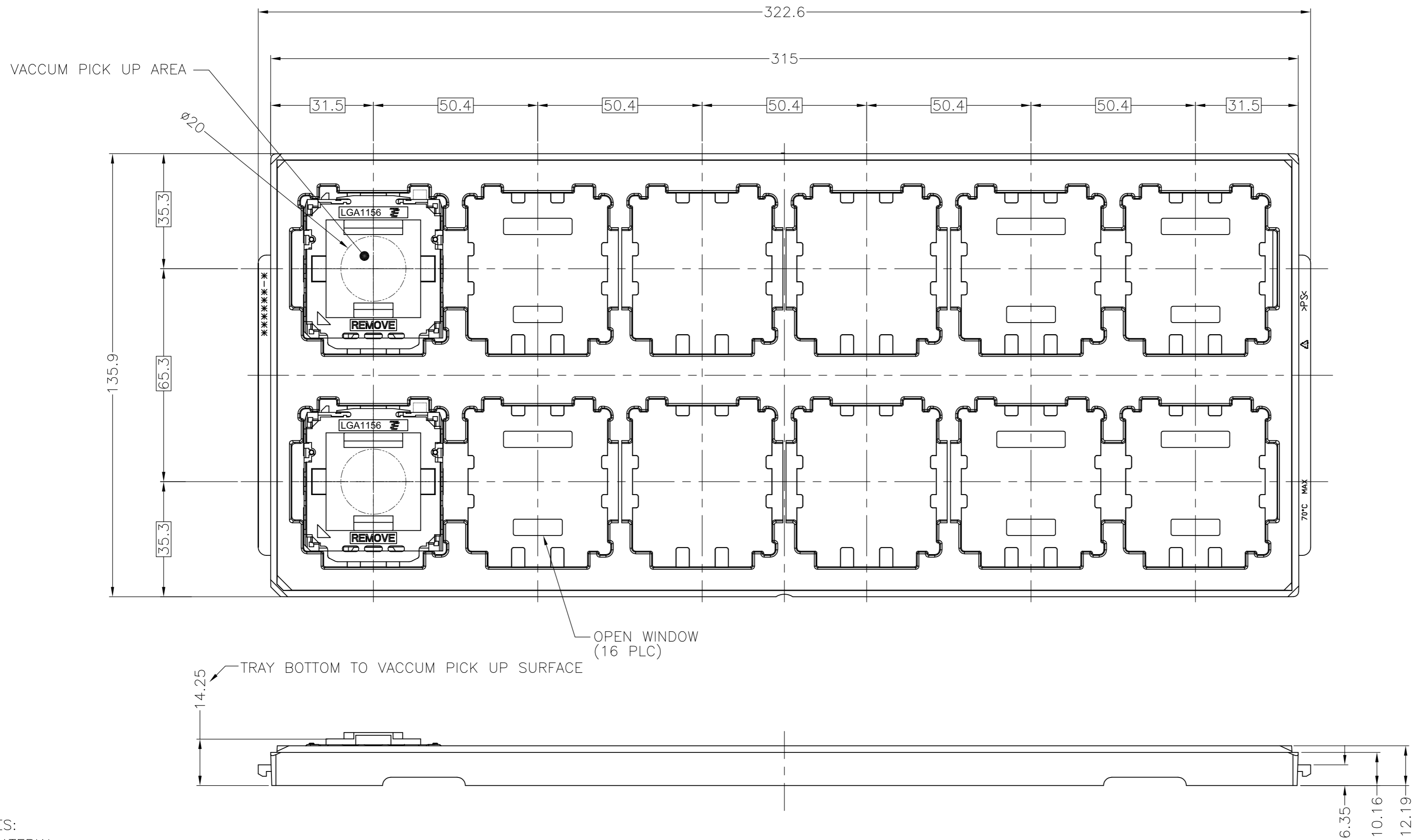


THIS DRAWING IS UNPUBLISHED. RELEASED FOR PUBLICATION
 © COPYRIGHT BY TYCO ELECTRONICS CORPORATION. ALL RIGHTS RESERVED.

LOC	DIST	REVISONS					
J	-	P	LTR	DESCRIPTION	DATE	DWN	APVD
		B	REVISED		24JUN'10	T.T	T.N



- NOTES:
- MATERIAL
 - HOUSING : HIGH TEMP, THERMO-PLASTIC, UL94V-0, BLACK
 - CONTACT : COPPER ALLOY
FINISH : Au PL. AT CONTACT AREA ON OVERALL OVER Ni UNDER PL. 0.00127 MIN.
 - SOLDER BALL : Sn/Ag/Cu
 - CAP : HIGH TEMP. THERMO-PLASTIC, UL94V-0, BLACK
 - INDICATED DATE CODE ON THE HSG

2040540-2	GOLD FLASH PL
2040540-1	0.38 um MIN Au PL
PATR NUMBER	DESCRIPTION

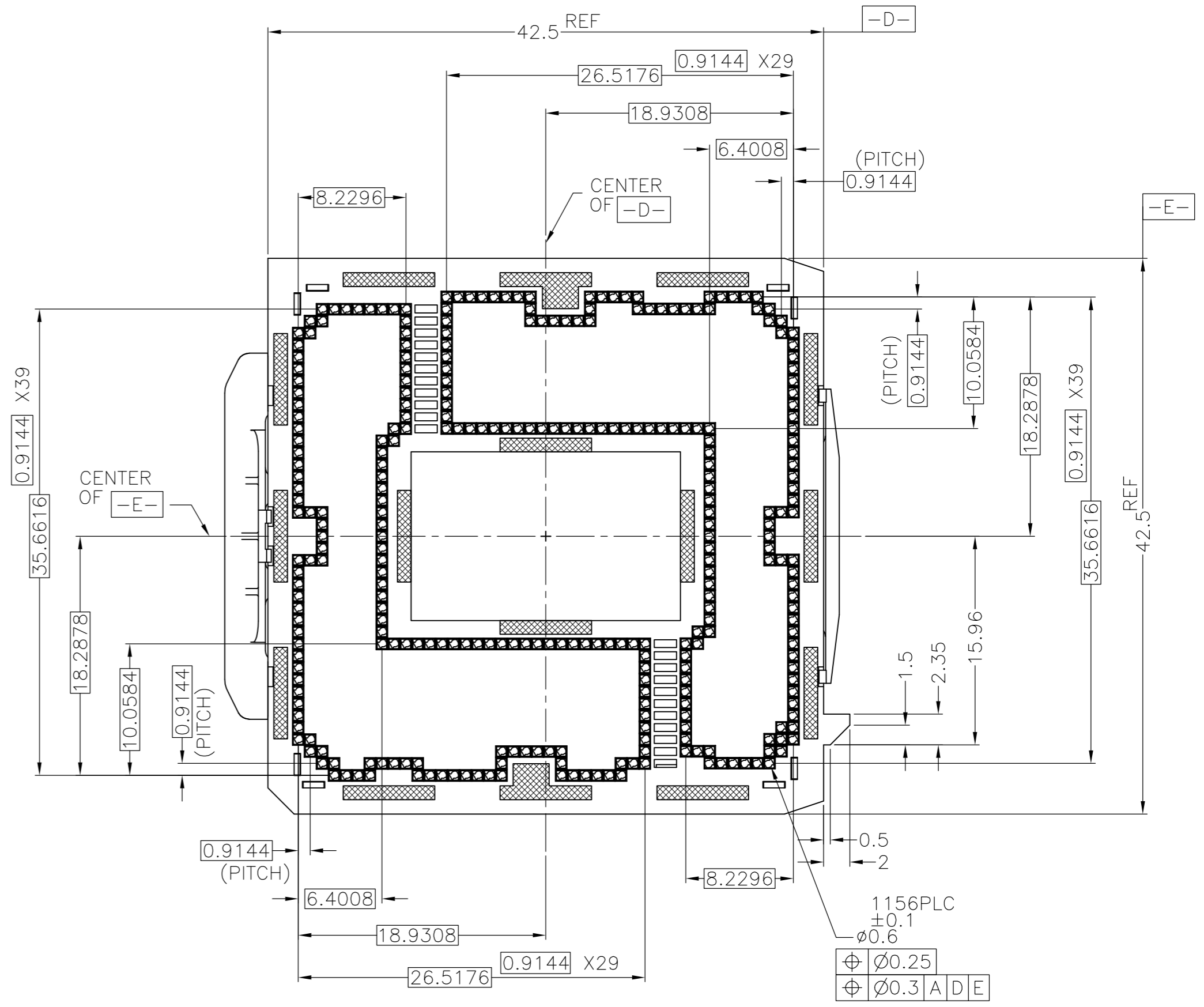
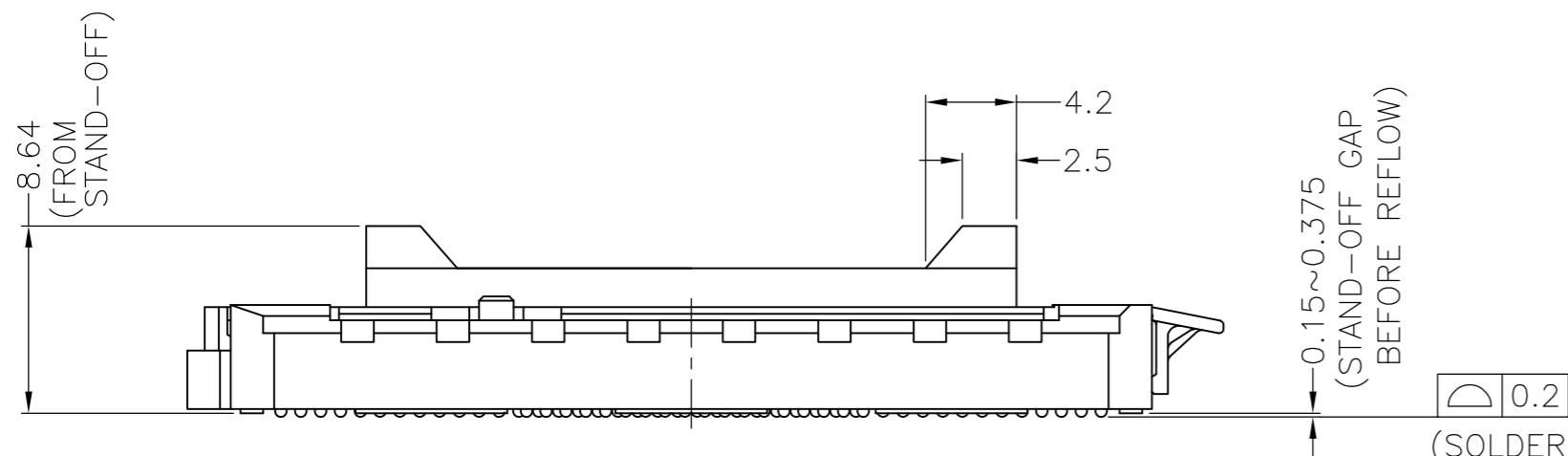
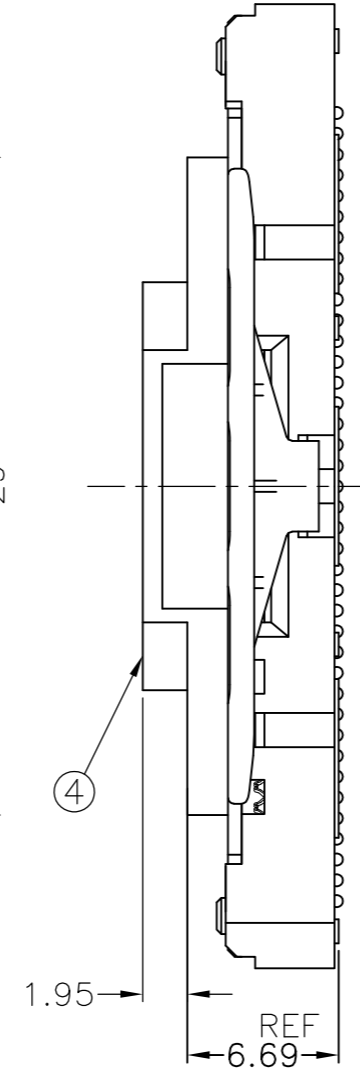
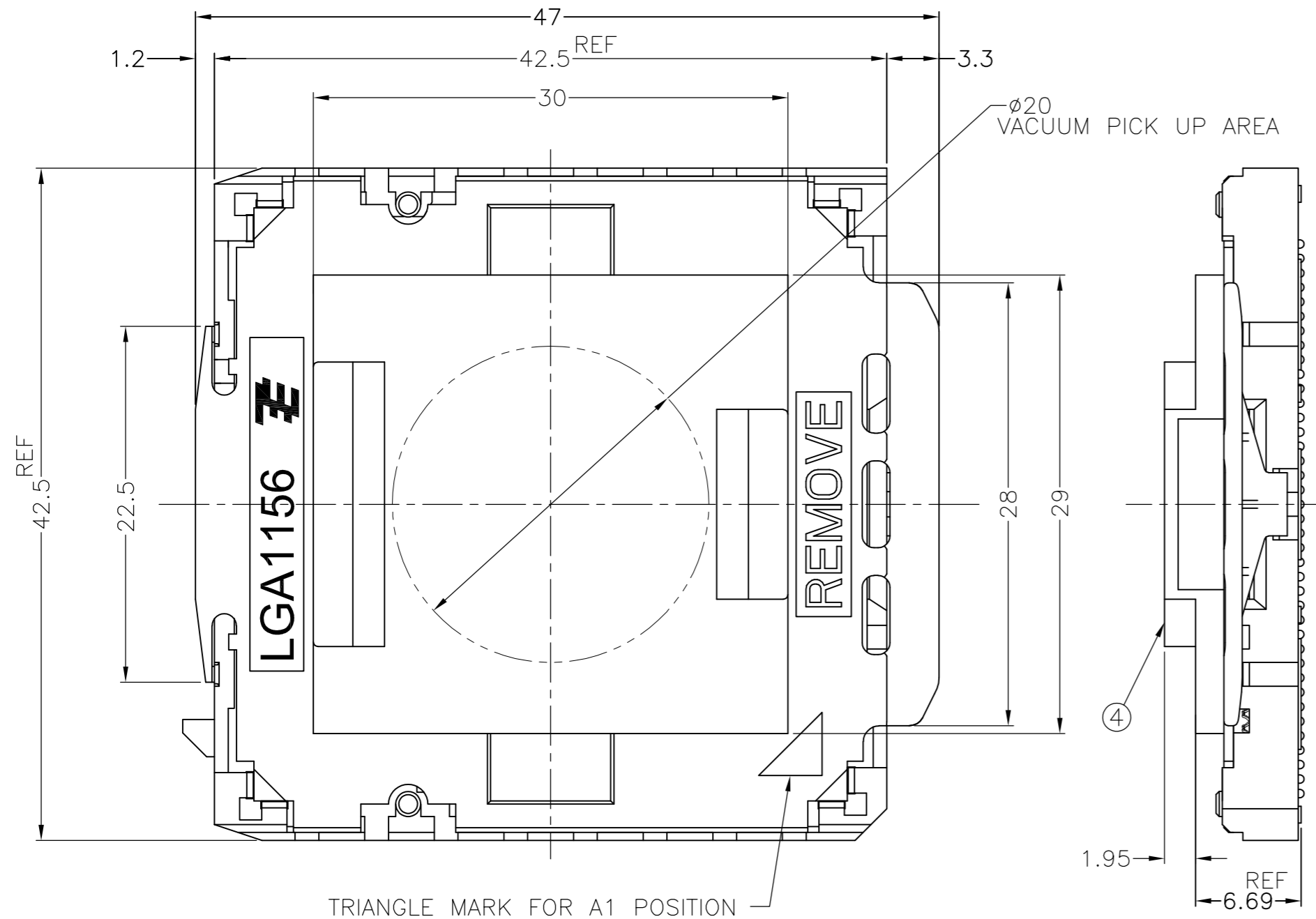
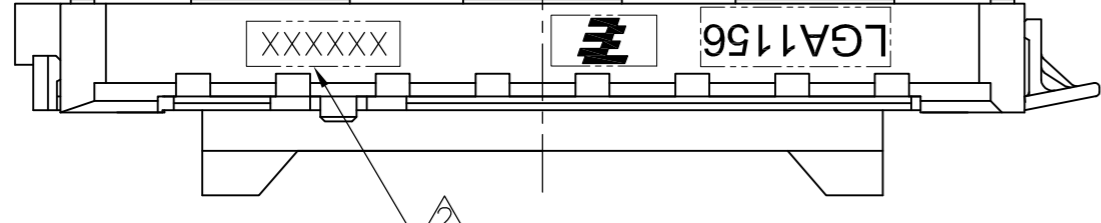
THIS DRAWING IS A CONTROLLED DOCUMENT.		DWN	T.TOKUNAGA	20MAY2009	 Tyco Electronics Corporation Kawasaki, Japan
DIMENSIONS: 単位: 寸 mm		CHK	H.TAGUCHI	20MAY2009	
TOLERANCES UNLESS OTHERWISE SPECIFIED: 一般公差		APVD	T.NAKASHIMA	20MAY2009	
0-PLC ± ±0.5 1-PLC ± ±0.5 2-PLC ± ±3° 3-PLC ± ± 4-PLC ± ± ANGLES ± ±		PRODUCT SPEC	製品規格		
MATERIAL 材料		APPLICATION SPEC	取付適用規格		NAME 名称
		WEIGHT	9.8g	SIZE	A2
		CUSTOMER DRAWING		CAGE CODE	00779
				DRAWING NO 番号	C=2040540
				RESTRICTED TO	-
				SCALE 尺度	1:1
				SHEET	1 of 5
				REV	B

2040540

A

THIS DRAWING IS UNPUBLISHED. RELEASED FOR PUBLICATION
 © COPYRIGHT BY TYCO ELECTRONICS CORPORATION. ALL RIGHTS RESERVED.

LOC	DIST	REVISIONS			
P	LTR	DESCRIPTION	DATE	DWN	APVD
-	-	SEE SHEET 1	-	-	-



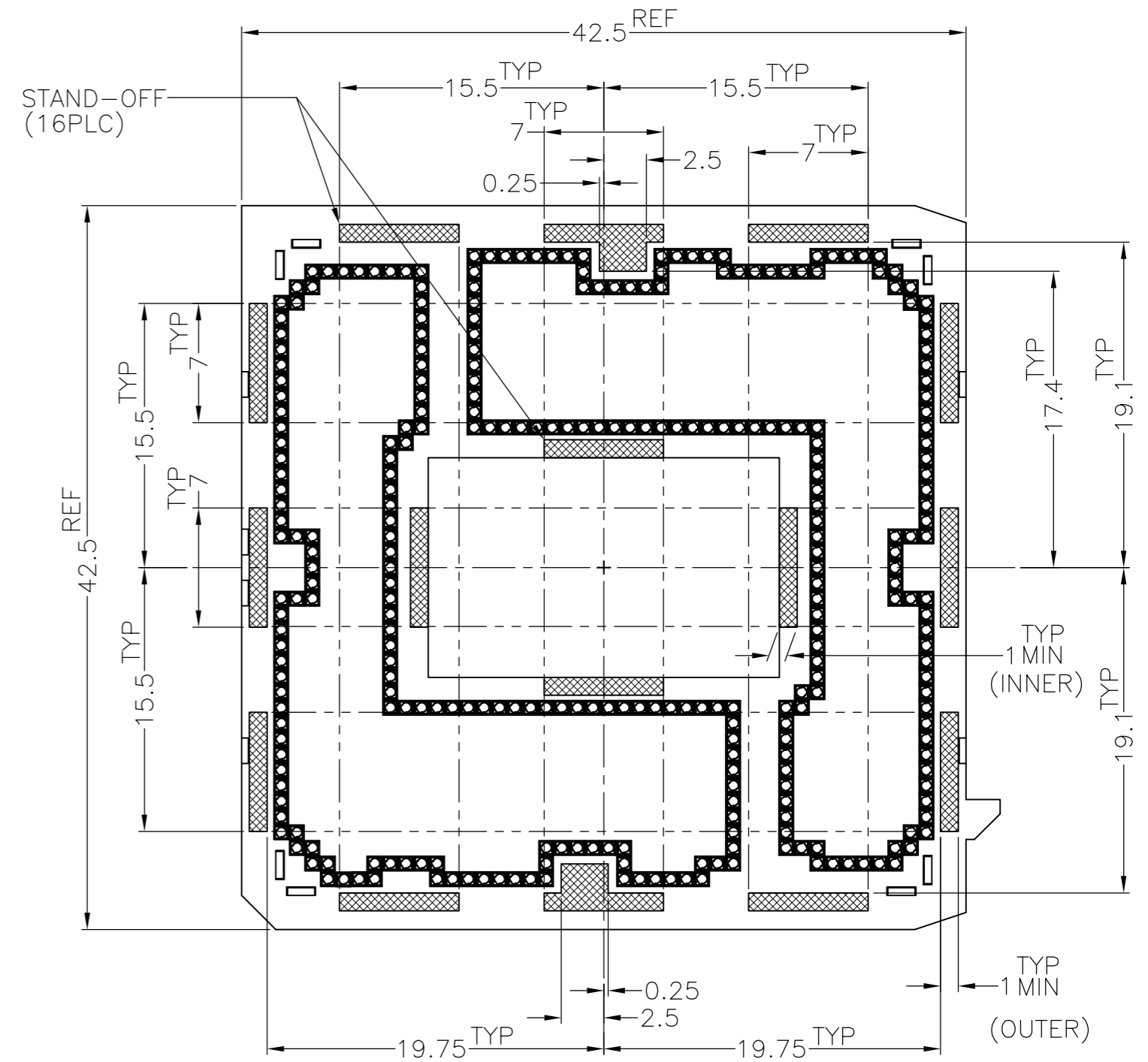
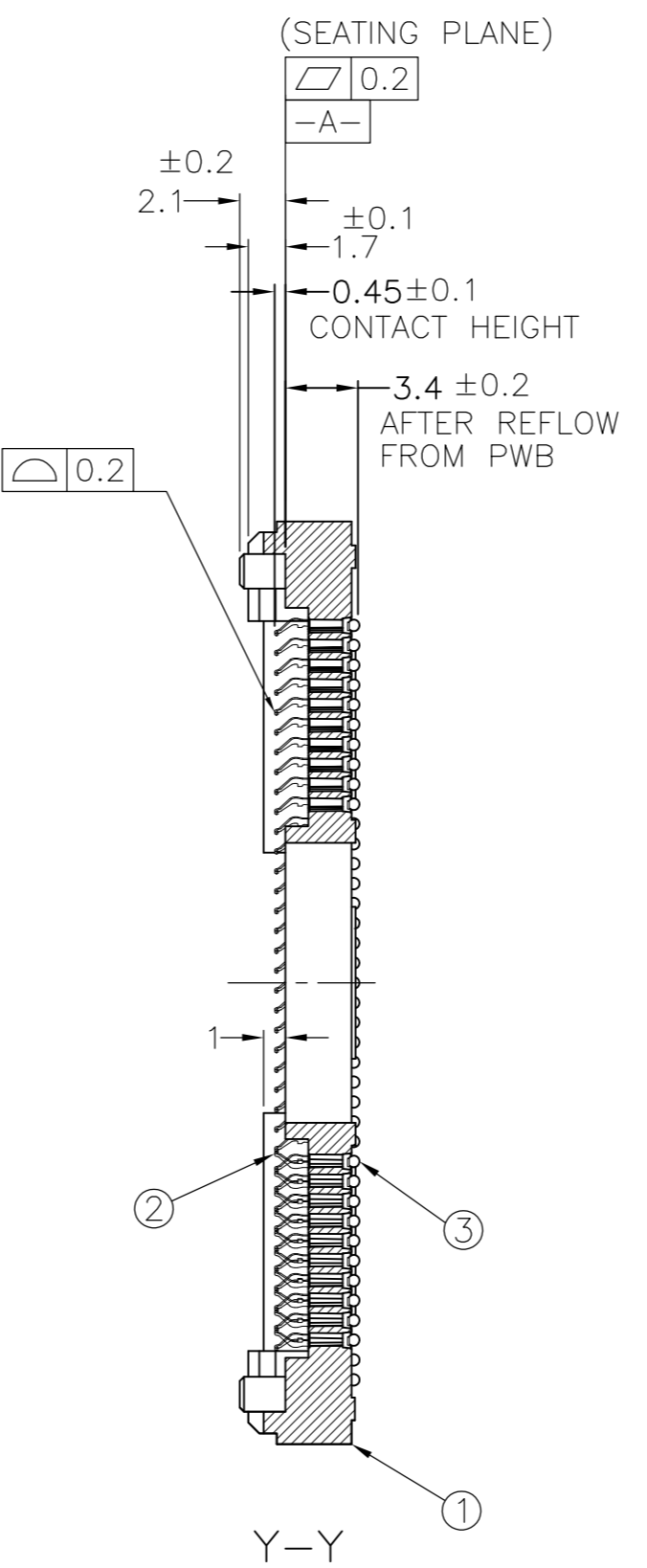
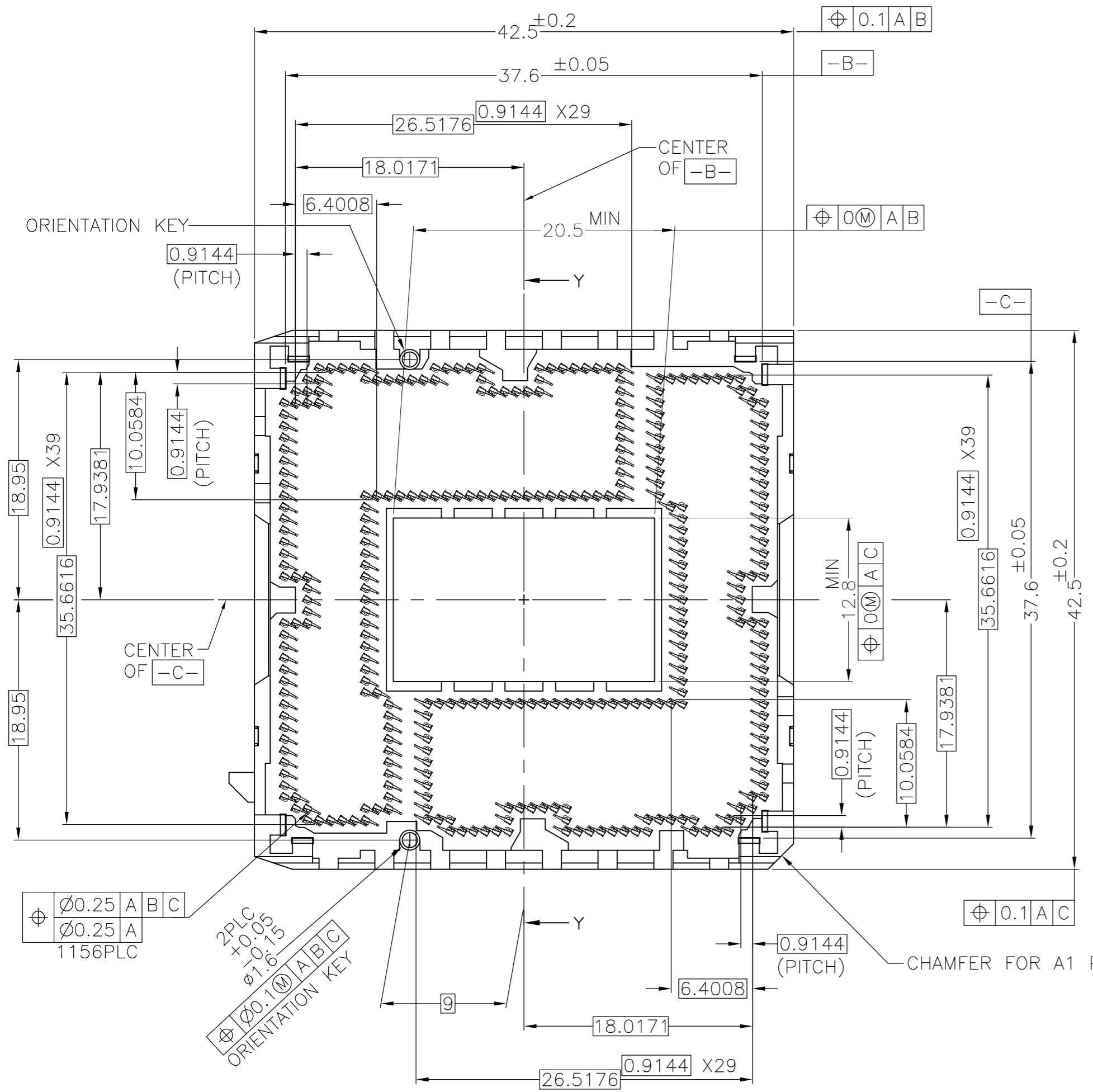
1156PLC	±0.1	Ø0.6
Ø0.25		
Ø0.3	A	D E

2040540-X : AS SHOWN

THIS DRAWING IS A CONTROLLED DOCUMENT.		DWN	-	Tyco Electronics Corporation	
DIMENSIONS: 単位: 純 mm		CHK	-	Kawasaki, Japan	
TOLERANCES UNLESS OTHERWISE SPECIFIED: 一般公差		APVD	-	NAME 名称	
0 PLG	±0.3	PRODUCT SPEC	-	SOCKET ASSY	
1 PLG	±0.3	APPLICATION SPEC	-	LGA1156	
2 PLG	±0.3	WEIGHT	-	SIZE	A2
3 PLG	±0.3	MATERIAL	-	CAGE CODE	00779
4 PLG	±0.3	FINISH	-	DRAWING NO	C=2040540
ANGLES	±			RESTRICTED TO	-
CUSTOMER DRAWING			SCALE	NTS	SHEET 2 OF 5

THIS DRAWING IS UNPUBLISHED. RELEASED FOR PUBLICATION
 © COPYRIGHT BY TYCO ELECTRONICS CORPORATION. ALL RIGHTS RESERVED.

LOC		DIST		REVISIONS			
P	LTR	DESCRIPTION		DATE	DWN	APVD	
-	-	SEE SHEET 1		-	-	-	



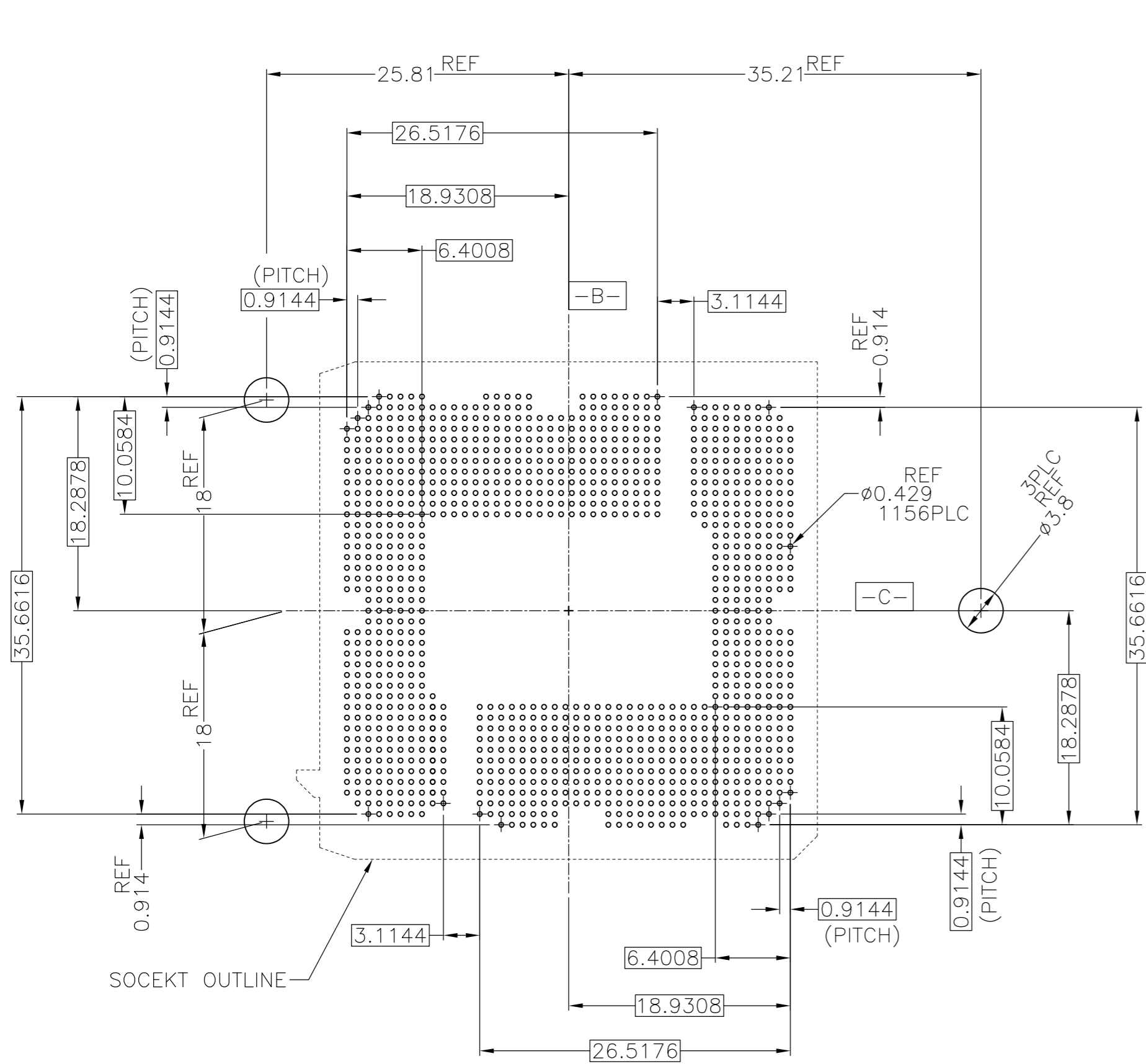
THESE VIEWS DON'T SHOW CAP

2040540-X : AS SHOWN

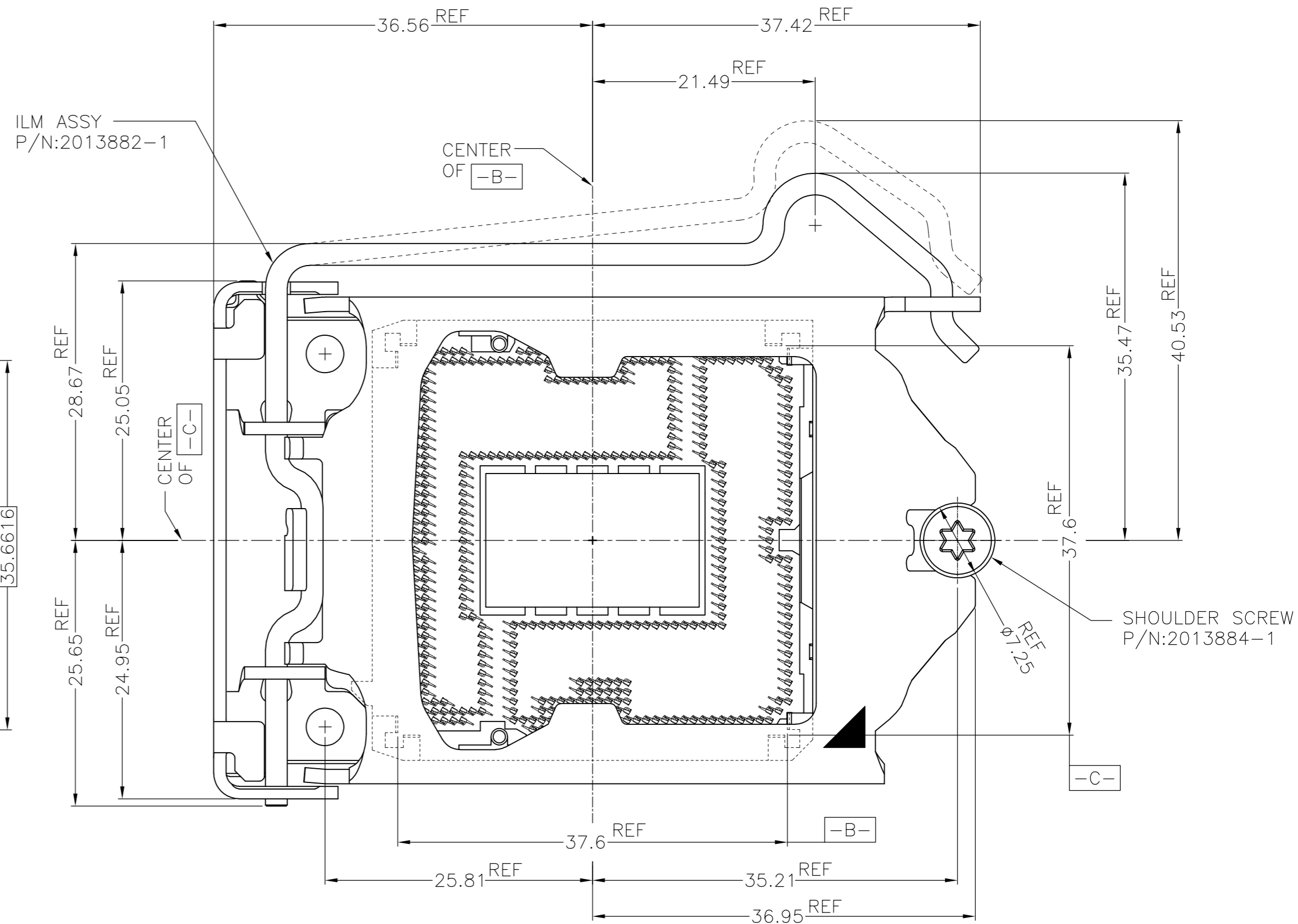
THIS DRAWING IS A CONTROLLED DOCUMENT.		DWN	-	Tyco Electronics Corporation	
DIMENSIONS: 単位: 寸 mm		CHK	-	Kawasaki, Japan	
TOLERANCES UNLESS OTHERWISE SPECIFIED: 一般公差		APVD	-	NAME 名称	
1-PLC ±0.3 2-PLC ±0.3 3-PLC ±0.3 4-PLC ±0.3 ANGLES ±		PRODUCT SPEC	-	SOCKET ASSY	
MATERIAL 材料		APPLICATION SPEC	-	LGA1156	
FINISH 仕上		WEIGHT	-	SIZE	A2
		CUSTOMER DRAWING	-	CAGE CODE	00779
			-	DRAWING NO	C=2040540
			-	RESTRICTED TO	-
			-	SCALE	NTS
			-	SHEET	3 of 5
			-	REV	B

THIS DRAWING IS UNPUBLISHED. RELEASED FOR PUBLICATION
 © COPYRIGHT BY TYCO ELECTRONICS CORPORATION. ALL RIGHTS RESERVED.

LOC	DIST	REVISIONS			
P	LTR	DESCRIPTION	DATE	DWN	APVD
-	-	SEE SHEET 1	-	-	-



REFERENCE PATTERN LAYOUT



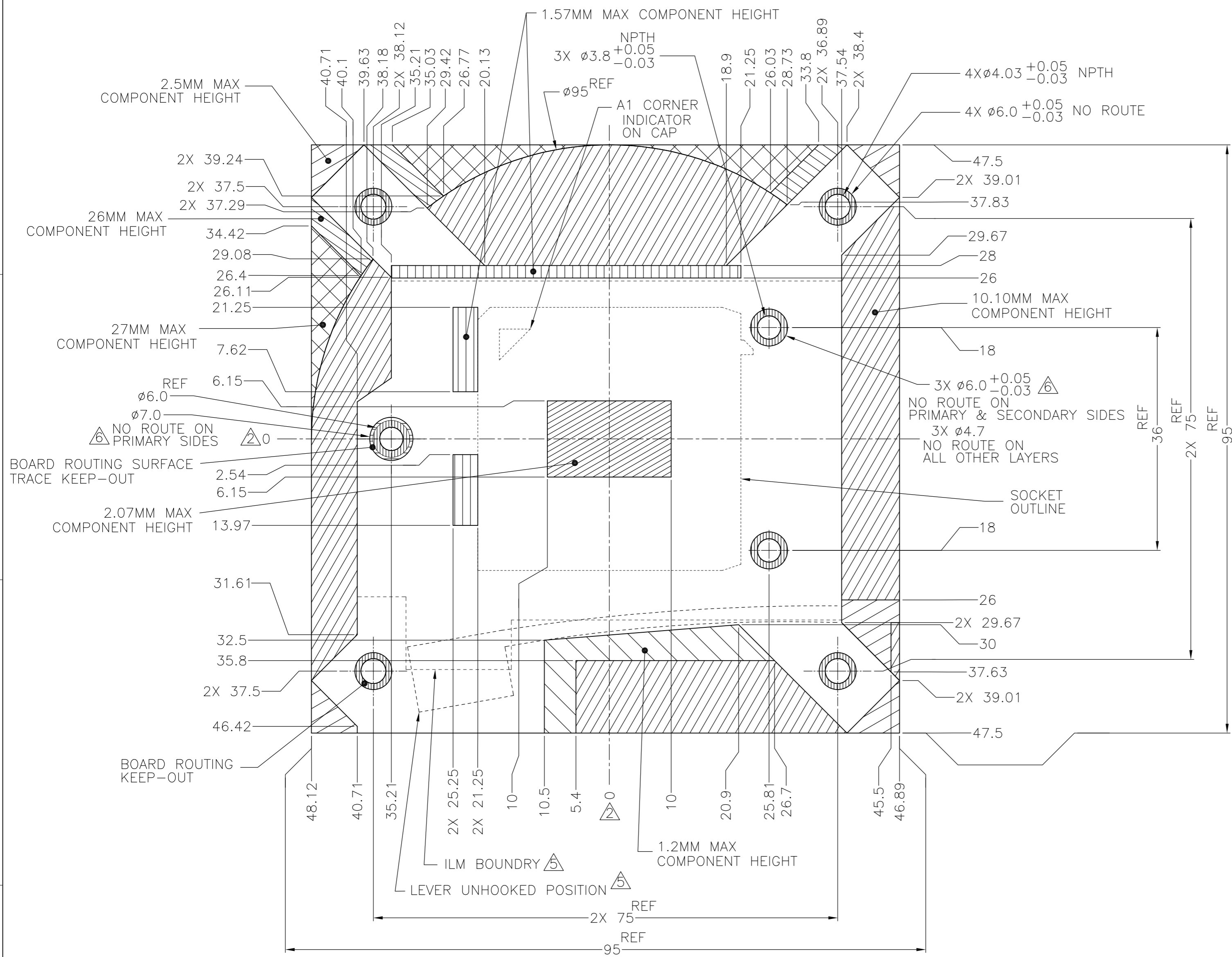
ILM ASSEMBLY OCCUPATION AREA (REFERENCE)
 CAP IS NOT SHOWN ON THIS VIEW

FOR GENERAL BOARD DESIGN, PLEASE REFER TO THE THERMAL AND MECHANICAL DESIGN GUIDELINES(TMDG) PROVIDED BY INTEL CORPORATION

THIS DRAWING IS A CONTROLLED DOCUMENT.		DWN	Tyco Electronics Corporation		
DIMENSIONS: 單位: 耗 mm		CHK	Kawasaki, Japan		
TOLERANCES UNLESS OTHERWISE SPECIFIED: 一般公差		APVD	NAME 名称		
0-PLC ± ±0.3 1-PLC ± ±3 2-PLC ± ±3 3-PLC ± ±3 4-PLC ± ±3 ANGLES ± ±3 FINISH 仕上		PRODUCT SPEC 製品規格		SOCKET ASSY LGA1156	
MATERIAL 材料		APPLICATION SPEC 取付通用規格		SIZE A2	RESTRICTED TO
		WEIGHT -		CAGE CODE 00779	DRAWING NO 番号 2040540
		CUSTOMER DRAWING		SCALE 尺度 NTS	SHEET 4 of 5 REV B

THIS DRAWING IS UNPUBLISHED. RELEASED FOR PUBLICATION
 © COPYRIGHT BY TYCO ELECTRONICS CORPORATION. ALL RIGHTS RESERVED.

LOC	DIST	REVISIONS				
		P	LTR	DATE	DWN	APVD
-	-	-	-	-	-	-
SEE SHEET 1				-	-	-



- NOTES (APPLIED TO SHEET 5 OF 5):
1. DIMENSIONS ARE IN MILLIMETERS
 2. Δ GEOMETRIC CENTER OF SOCKET HOUSING CAVITY
 3. BOARD COMPONENT KEEP-INS AND MECHANICAL COMPONENT KEEP-OUTS TO BE UTILIZED WITH SUFFICIENT ALLOWANCES FOR PLACEMENT AND SIZE TOLERANCES, ASSEMBLY PROCESS ACCESS, AND DYNAMIC EXCURSIONS.
 4. ASSUME SYMMETRY FOR UNDIMENSIONED CORNERS AND EDGES.
- Δ FOR UNDEFINED DIMENSIONS, REFER TO THERMAL AND MECHANICAL DESIGN GUIDELINE PROVIDED BY INTEL CORPORATION.
- Δ COPPER PAD ON PRIMARY SIDE, NON-GROUNDED. COPPER PAD CAN INSET A MAXIMUM OF 0.127MM FROM THE NO ROUTE EDGE
- Δ COMBINED COMPONENT AND SOLDER PASTE HEIGHT INCLUDING TOLERANCES AFTER REFLOW.

COMPONENT KEEP-INS AND MECHANICAL COMPONENT KEEP-OUTS

FOR REFERENCE ONLY, PLEASE REFER TO THE THERMAL AND MECHANICAL DESIGN GUIDELINES(TMDG) PROVIDED BY INTEL CORPORATION

LEGEND	
	SOCKET/THERMAL/MECHANICAL COMPONENT KEEP-INS
	10.10MM MAX COMPONENT HEIGHT Δ
	1.57MM MAX COMPONENT HEIGHT Δ
	1.2MM MAX COMPONENT HEIGHT Δ
	BOARD ROUTING KEEP-OUT
	27MM MAX COMPONENT HEIGHT Δ
	BOARD ROUTING SURFACE TRACE KEEP-OUT Δ
	2.07MM MAX COMPONENT HEIGHT Δ
	2.5MM MAX COMPONENT HEIGHT Δ
	26MM MAX COMPONENT HEIGHT Δ

THIS DRAWING IS A CONTROLLED DOCUMENT.		DWN	-	Tyco Electronics Corporation	
DIMENSIONS: 单位: 毫米 mm		CHK	-	Kawasaki, Japan	
TOLERANCES UNLESS OTHERWISE SPECIFIED: 一般公差		APVD	-	NAME 名称	
ø PLG ±		PRODUCT SPEC	-	SOCKET ASSY	
1 PLG ±		APPLICATION SPEC	-	LGA1156	
2 PLG ±		WEIGHT	-	SIZE	CAGE CODE
3 PLG ±		FINISH 仕上	-	A2	00779
4 PLG ±		DRAWING NO 番号		DRAWING NO 番号	
ANGLES ±		RESTRICTED TO		C=2040540	
MATERIAL 材料		CUSTOMER DRAWING		SCALE 尺度	SHEET 5 of 5
				NTS	REV B