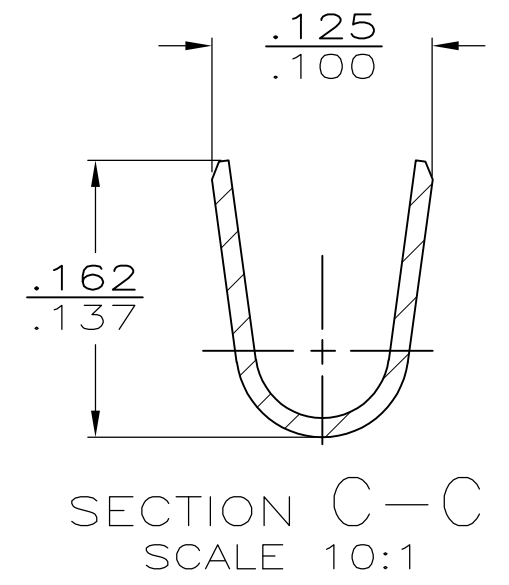
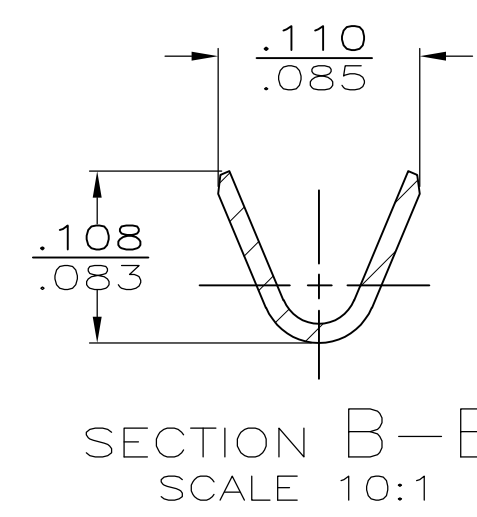
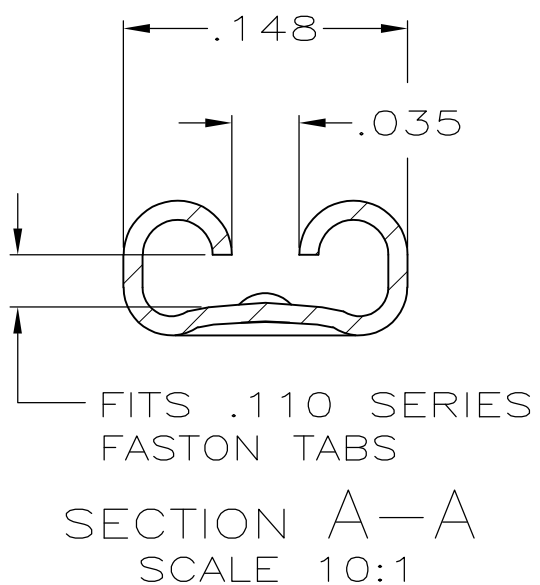
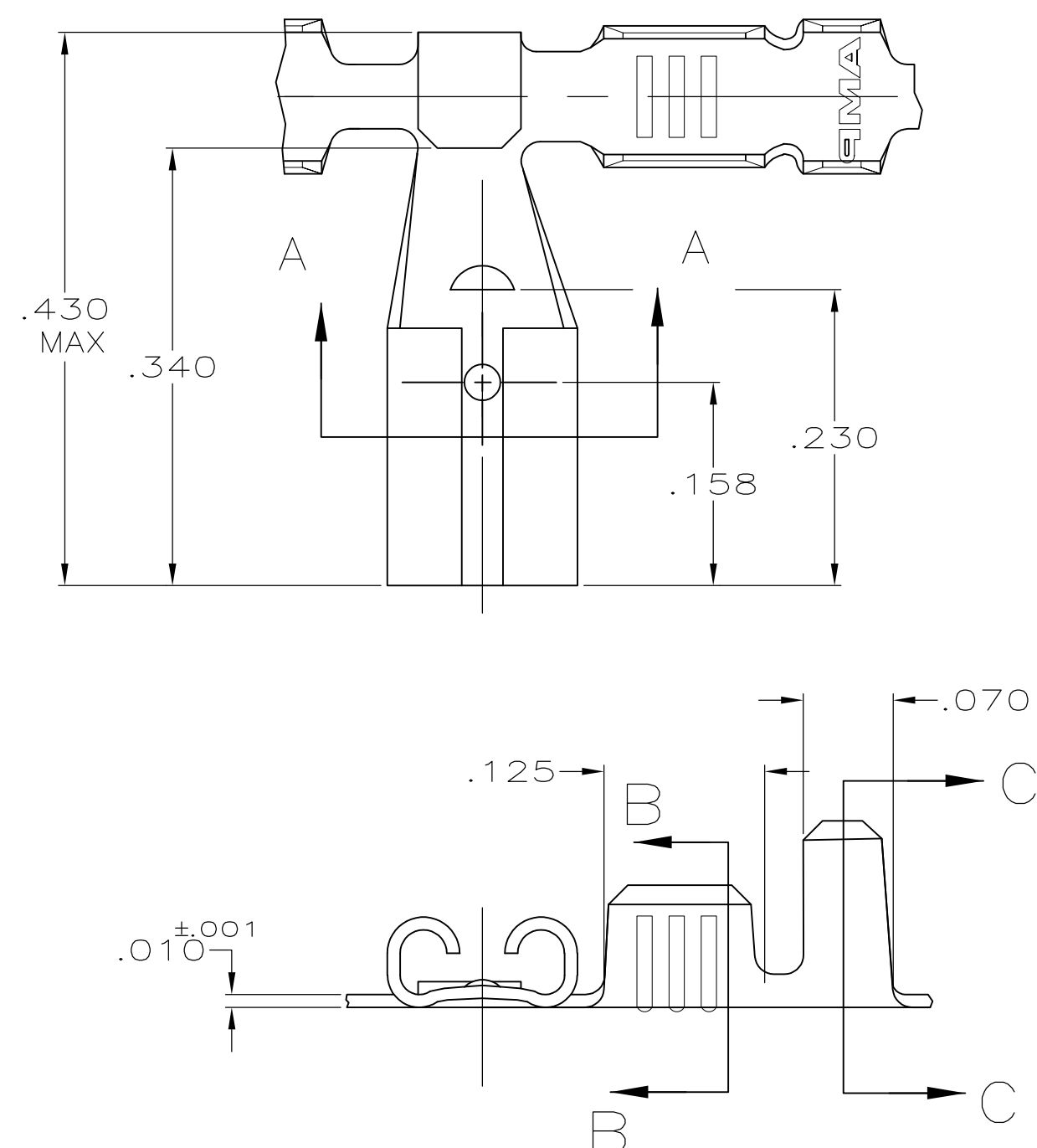


THIS DRAWING IS UNPUBLISHED. RELEASED FOR PUBLICATION
 © COPYRIGHT - By - ALL RIGHTS RESERVED.

LOC	DIST	REVISIONS					
AF	50	P	LTR	DESCRIPTION	DATE	DWN	APVD
				C1 REVISED PER ECO-11-005027	11MAR11	RK	HMR



1 CONTINUOUS STRIP ON REELS

.060-.100 DIA	22-18 AWG	.020	61481-1
INSULATION RANGE	WIRE SIZE	MATING TAB THK ±.001	PART NO

THIS DRAWING IS A CONTROLLED DOCUMENT.		DWN	JR RUTH	4/22/91	 TE Connectivity RECEPTACLE, FASTON, FLAG, .110 SERIES
DIMENSIONS: INCHES		CHK	MS FEHER	4/22/91	
TOLERANCES UNLESS OTHERWISE SPECIFIED:		APVD	C MEYERS	4/22/91	
0 PLC ± - 1 PLC ± - 2 PLC ± - 3 PLC ± .015 4 PLC ± - ANGLES ± -		PRODUCT SPEC		NAME	
MATERIAL #4H BRASS		FINISH PRE-TIN		WEIGHT -	SIZE A3
		CUSTOMER DRAWING		SCALE 8:1	CAGE CODE 00779
				DRAWING NO C-61481	RESTRICTED TO -
				SHEET 1 OF 1	REV C1