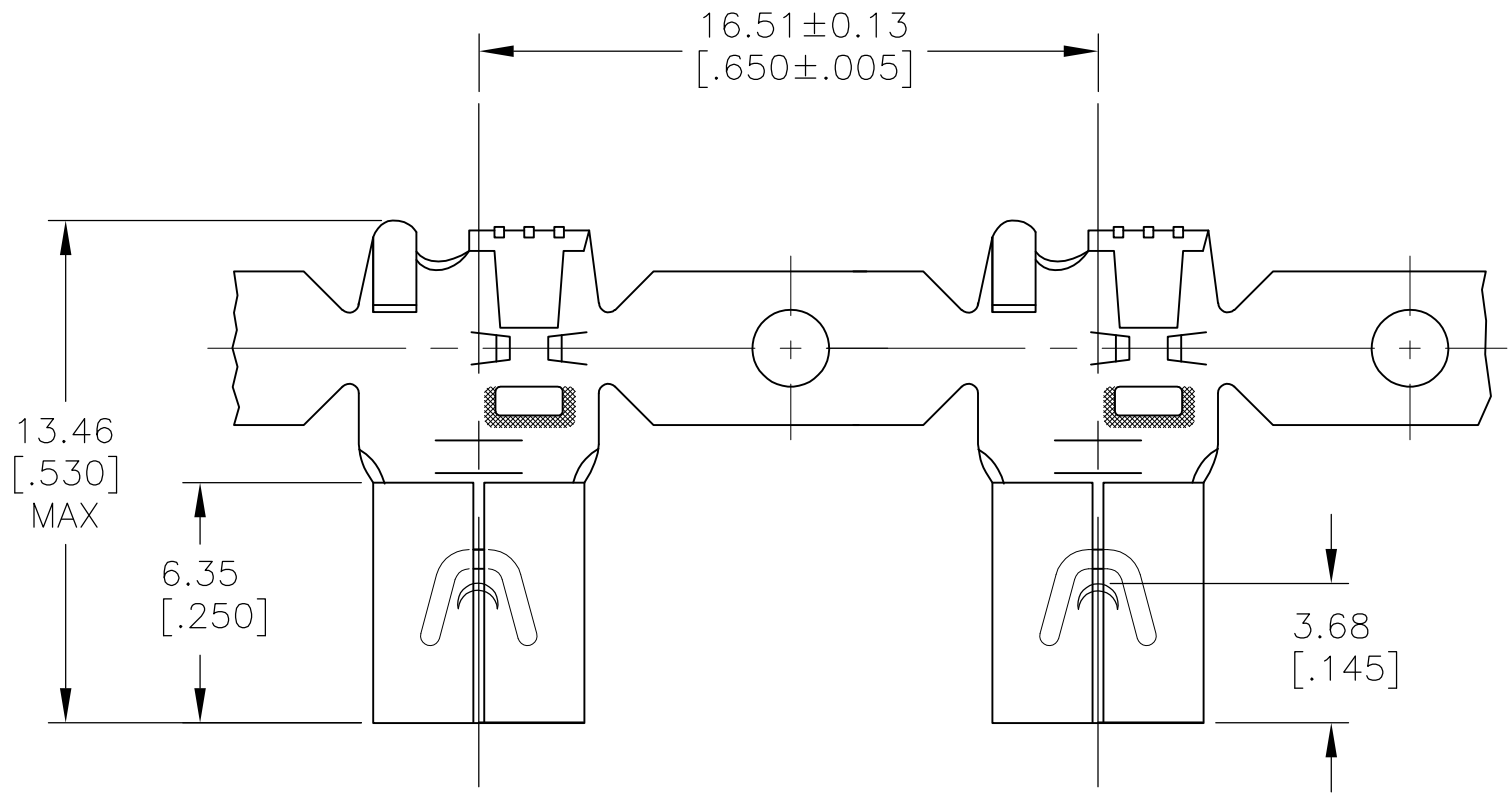
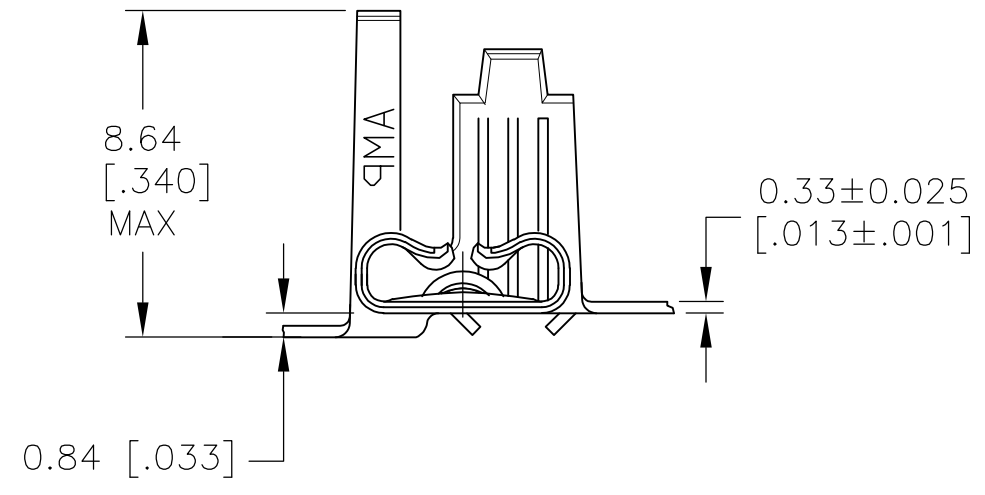
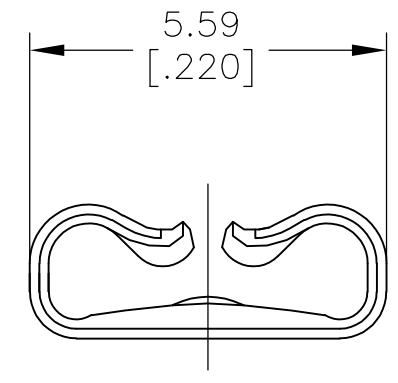


THIS DRAWING IS UNPUBLISHED. RELEASED FOR PUBLICATION
 © COPYRIGHT - By - ALL RIGHTS RESERVED.


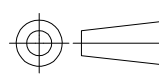
LOC	DIST	REVISIONS					
		P	LTR	DESCRIPTION	DATE	DWN	APVD
AF	-		A1	RELEASED PER ECO-14-018153	04DEC14	JR	DH



- 1 CONTINUOUS STRIP ON REELS
- 2 WIRE SIZE #20-#16 AWG
- 3 INSULATION RANGE 2.79-4.32 [.110-.170] DIA
- 4 MATING TAB THK IS 0.81±0.025 [.032±.001]



2238041-1
 PART NO.

THIS DRAWING IS A CONTROLLED DOCUMENT.		DWN JR RUTH 29JUL2013	 TE Connectivity				
DIMENSIONS: MM [INCHES]		CHK P DESANTIS 29JUL13					
TOLERANCES UNLESS OTHERWISE SPECIFIED:		APVD P DESANTIS 29JUL13	NAME RECEPTACLE, FASTON, FLAG, 4.75 [.187] SERIES				
 0 PLC ± - 1 PLC ± - 2 PLC ± 0.25 [.010] 3 PLC ± - 4 PLC ± - ANGLES ± -		PRODUCT SPEC -	APPLICATION SPEC -				
MATERIAL T2 STEEL		FINISH NICKEL PLATE	WEIGHT -	SIZE A3	CAGE CODE 00779	DRAWING NO C-2238041	RESTRICTED TO -
CUSTOMER DRAWING			SCALE 5:1	SHEET 1 OF 1	REV A1		