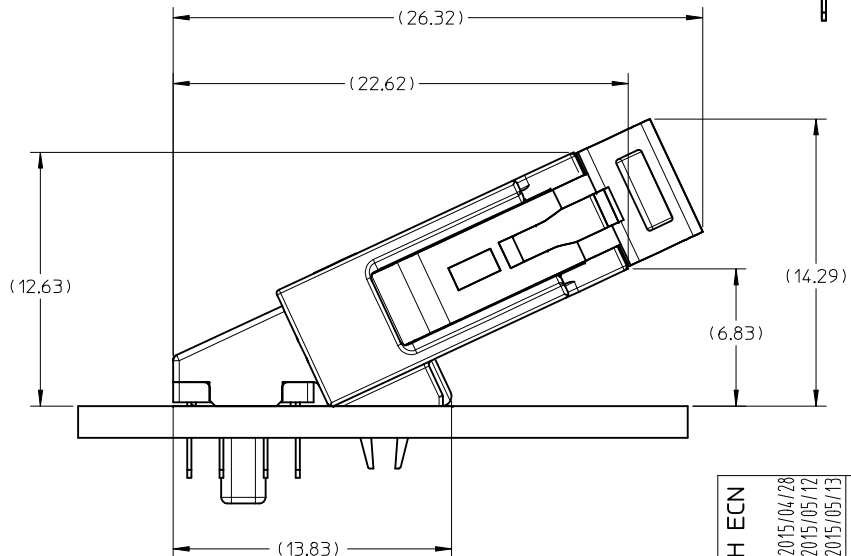
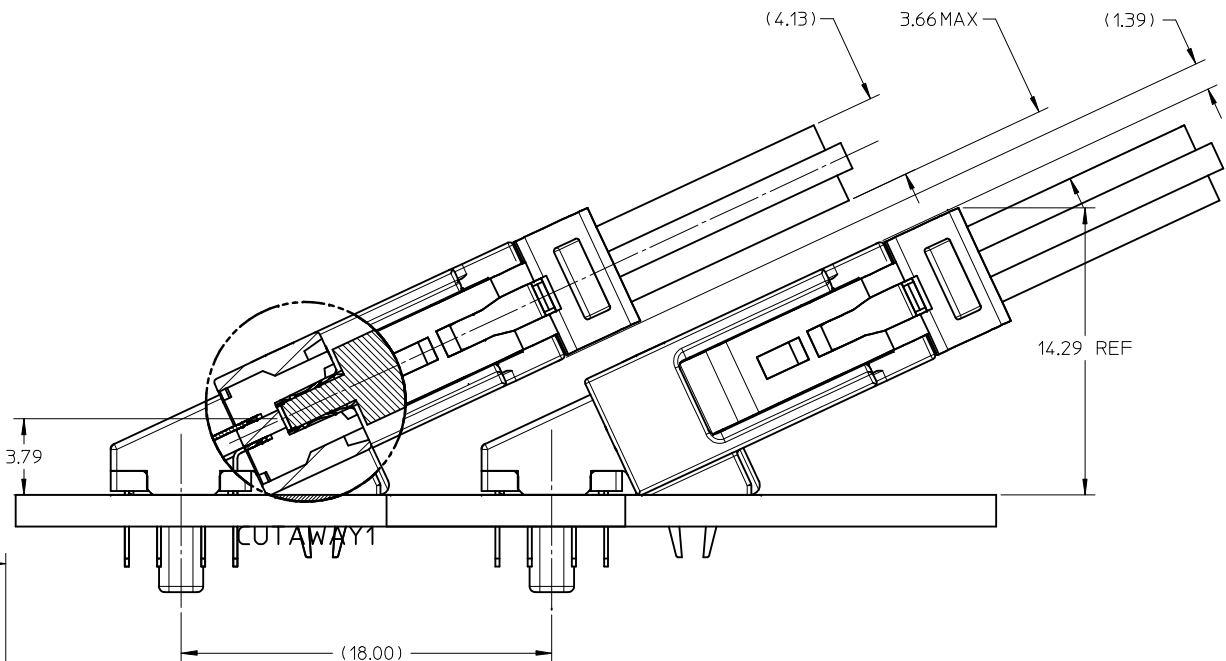


NOTES:

- MATERIAL : HOUSING - HALOGEN FREE HIGH TEMP POLYAMIDE, GLASS FILLED, UL94V-0, BLACK.  
LATCH - HALOGEN FREE HIGH TEMP POLYAMIDE, GLASS FILLED, UL94V-0, BLACK.  
TERMINAL : COPPER ALLOY.  
FORKLOCK: COPPER ALLOY.
  - FINISHES - SEE TABLE ON SHEET 5.
  - PRODUCT SPECIFICATION : SEE TABLE ON SHEET 5.
  - PACKAGING SPECIFICATION: PRODUCT SHALL BE PACKED IN TRAY, SEE SHEET 5
  - CARD SLOT ACCEPTS 1.40 $\pm$ 0.10MM MODULE THICKNESS (MEASURED OVER P.C. PADS).
- $\triangle/6$  MOLEX LOGO, DATE & PART NO. INDICATED ON HOUSING.

THIS DESIGN IS BASED ON DESIGN OBJECTIVES AND IS STRICTLY TENTATIVE. IT MAY CHANGE BASED ON RESULTS OF ADDITIONAL DESIGN REVIEWS & VERIFICATIONS.

RELEASED WITH ECN EC NO: S2015-1236 DRWN: CCTEH 2015/04/28 CHKD: CGTAN 2015/05/12 APPR: SHLENI 2015/05/13 REV 4	QUALITY SYMBOLS $F_A=0$ $F_G=0$ $F_P=0$	GENERAL TOLERANCES (UNLESS SPECIFIED)		DIMENSION STYLE	SCALE	DESIGN UNITS	THIRD ANGLE PROJECTION
				MM ONLY	NTS	METRIC	
				DRAWN BY	DATE	TITLE	
				CCTEH	2014/05/19	DDR4 DIMM 0.85MM PITCH 25 DEG. 288CKTS T/H	
		DRAFT WHERE APPLICABLE MUST REMAIN WITHIN DIMENSIONS		CHECKED BY	DATE	<b>molex</b> DOCUMENT NO. SD-151080-0001 SHEET NO. 1 OF 5	
				APPROVED BY	DATE	THIS DRAWING CONTAINS INFORMATION THAT IS PROPRIETARY TO MOLEX INCORPORATED AND SHOULD NOT BE USED WITHOUT WRITTEN PERMISSION	
				SHLENI	2015/05/13		
				MATERIAL NO.			
				SIZE			
				A3			



MINIMUM RECOMMENDED ROW TO ROW SPACING WHEN USING 4.00MM THICK MODULE (TYPICAL TSOP PACKAGING)

RELEASED WITH ECN  
 EC NO: S2015-1236  
 DRW: CCTEH 2015/04/28  
 CHKD: CGTAN 2015/05/12  
 APPR: SHLENI 2015/05/13

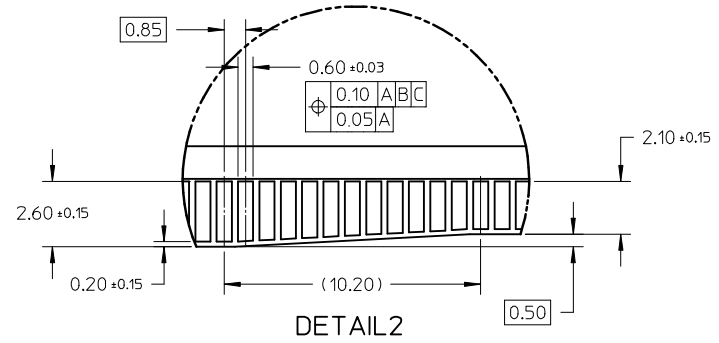
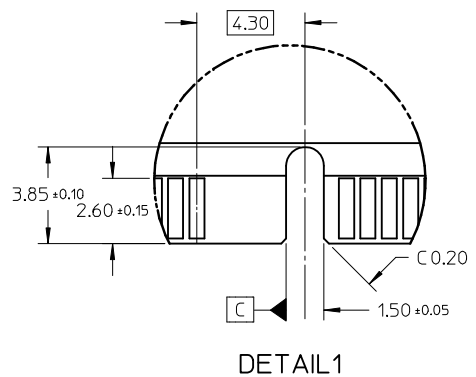
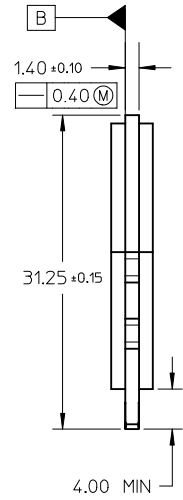
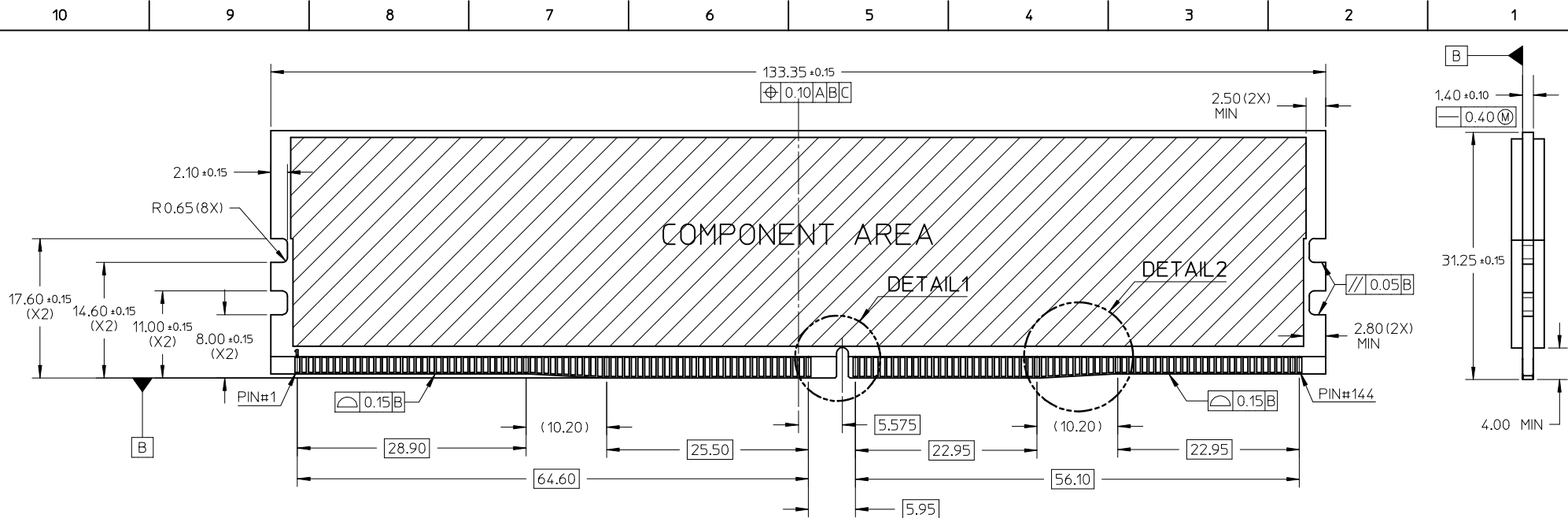
REV	DESCRIPTION
4	

QUALITY SYMBOLS	GENERAL TOLERANCES (UNLESS SPECIFIED)
$F_{A1}=0$	4 PLACES ± --- ± ---
$F_{C1}=0$	3 PLACES ± --- ± ---
$F_{P1}=0$	2 PLACES ± 0.25 ± ---
	1 PLACE ± --- ± ---
	0 PLACE ± --- ± ---
	ANGULAR ± 3 °
	DRAFT WHERE APPLICABLE MUST REMAIN WITHIN DIMENSIONS

DIMENSION STYLE	
MM ONLY	
DRAWN BY	DATE
CCTEH	2014/05/19
CHECKED BY	DATE
CGTAN	2015/04/30
APPROVED BY	DATE
SHLENI	2015/05/13
MATERIAL NO.	
SEE TABLE	
SIZE	
A3	

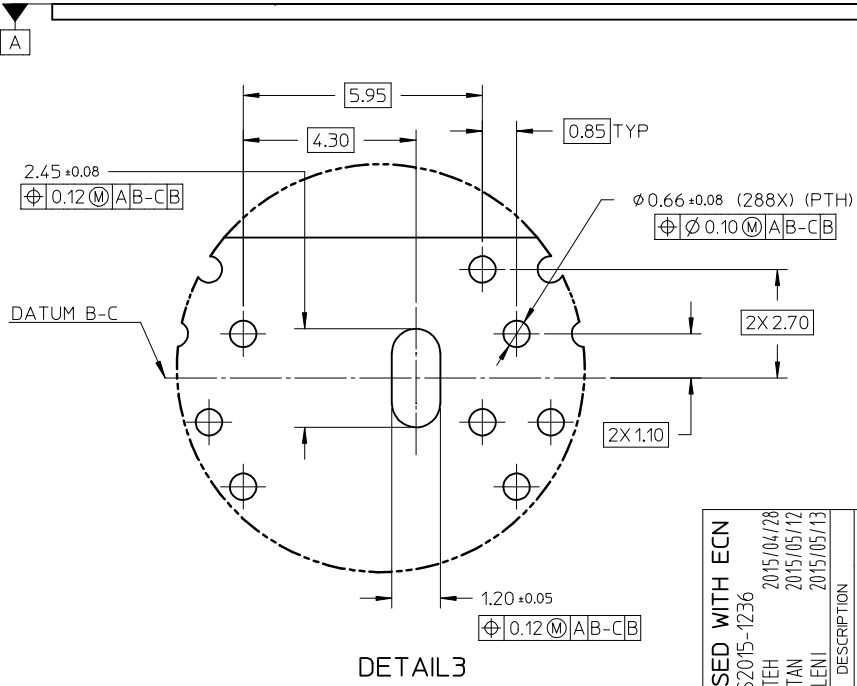
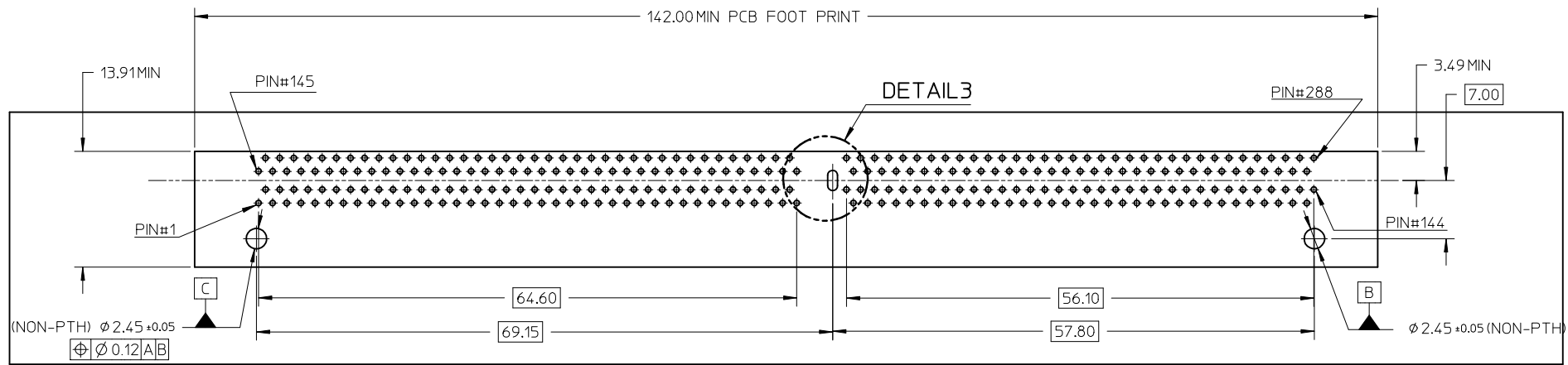
SCALE	DESIGN UNITS	THIRD ANGLE PROJECTION
NTS	METRIC	
TITLE		
DDR4 DIMM 0.85MM PITCH 25 DEG. 288CKTS T/H		
DOCUMENT NO.		SHEET NO.
SD-151080-0001		2 OF 5
THIS DRAWING CONTAINS INFORMATION THAT IS PROPRIETARY TO MOLEX INCORPORATED AND SHOULD NOT BE USED WITHOUT WRITTEN PERMISSION		





RELEASED WITH ECN EC NO: S2015-1236 DRWN: CCTEH 2015/04/28 CHKD: CGTAN 2015/05/12 APPR: SHLENI 2015/05/13	QUALITY SYMBOLS $F_{\sigma} = 0$ $F_{\sigma} = 0$ $F_{\sigma} = 0$	GENERAL TOLERANCES (UNLESS SPECIFIED)		DIMENSION STYLE <b>MM ONLY</b>		SCALE NTS	DESIGN UNITS METRIC	THIRD ANGLE PROJECTION		
			mm	INCH	DRAWN BY	DATE	TITLE			
		4 PLACES	± ---	± ---	CCTEH	2014/05/19	DDR4 DIMM 0.85MM PITCH 25 DEG. 288CKTS T/H			
		3 PLACES	± ---	± ---	CHEKED BY	DATE				
	± 0.25	± ---	CGTAN	2015/04/30	<b>molex</b>					
2 PLACES	± ---	± ---	APPROVED BY	DATE						
1 PLACE	± ---	± ---	SHLENI	2015/05/13	MATERIAL NO.		DOCUMENT NO.		SHEET NO.	
0 PLACE	± ---	± ---	ANGULAR ± 3 °		SEE TABLE		SD-151080-0001		3 OF 5	
DRAFT WHERE APPLICABLE MUST REMAIN WITHIN DIMENSIONS				THIS DRAWING CONTAINS INFORMATION THAT IS PROPRIETARY TO MOLEX INCORPORATED AND SHOULD NOT BE USED WITHOUT WRITTEN PERMISSION						

10 9 8 7 6 5 4 3 2 1



RELEASED WITH ECN  
 EC NO: S2015-1236  
 DRWN: CCTEH 2015/04/28  
 CHKD: CGTAN 2015/05/12  
 APPR: SHLENI 2015/05/13

REV	DESCRIPTION
4	

QUALITY SYMBOLS	
$\nabla_A = 0$	
$\nabla_G = 0$	
$\nabla_P = 0$	

GENERAL TOLERANCES (UNLESS SPECIFIED)		
	mm	INCH
4 PLACES	± ---	± ---
3 PLACES	± ---	± ---
2 PLACES	± 0.25	± ---
1 PLACE	± ---	± ---
0 PLACE	± ---	± ---

DIMENSION STYLE	
MM ONLY	
DRAWN BY	DATE
CCTEH	2014/05/19
CHECKED BY	DATE
CGTAN	2015/04/30
APPROVED BY	DATE
SHLENI	2015/05/13

SCALE	DESIGN UNITS	THIRD ANGLE PROJECTION
NTS	METRIC	
TITLE		
DDR4 DIMM 0.85MM PITCH 25 DEG. 288CKTS T/H		
MATERIAL NO.		SHEET NO.
SEE TABLE		4 OF 5
DOCUMENT NO.		
SD-151080-0001		

SIZE A3 THIS DRAWING CONTAINS INFORMATION THAT IS PROPRIETARY TO MOLEX INCORPORATED AND SHOULD NOT BE USED WITHOUT WRITTEN PERMISSION

9 8 7 6 5 4 3 2 1

PART NO.	VOLTAGE KEY	DIM 'P'	DIM 'Q'	RECOMMENDED PCB THICKNESS	PLATING OPTION	HOUSING COLOUR	LATCH COLOUR	PRODUCT SPECIFICATION	PACKAGING SPECIFICATION
151080-0001	CENTER (1.5V)	3.56	4.83	2.54	0.76µM / 30 Mmch MIN GOLD ON CONTACT 2.54µM / 100 Mmch MIN PURE TIN ON SOLDERTAILS 1.27µM / 50 Mmch MIN NICKEL UNDERPLATE	BLACK	BLACK	PS-151080-0001	PK-151080-0001
151080-0101		2.67	3.18	1.70~1.80		BLACK	BLACK		
151080-0102						BLACK	NATURAL		

RELEASED WITH ECN EC NO: S2015-1236 DRW: CCTEH 2015/04/28 CHKD: CGTAN 2015/05/12 APPR: SHLENI 2015/05/13	QUALITY SYMBOLS $\nabla_A = 0$ $\nabla_B = 0$ $\nabla_C = 0$	GENERAL TOLERANCES (UNLESS SPECIFIED)		DIMENSION STYLE <b>MM ONLY</b>		SCALE NTS	DESIGN UNITS METRIC	THIRD ANGLE PROJECTION		
			mm	INCH	DRAWN BY CCTEH	DATE 2014/05/19	TITLE DDR4 DIMM 0.85MM PITCH 25 DEG. 288CKTS T/H			
		4 PLACES	± ---	± ---	CHECKED BY CGTAN	DATE 2015/04/30				
		3 PLACES	± ---	± ---	APPROVED BY SHLENI	DATE 2015/05/13	<b>molex</b> MATERIAL NO. SEE TABLE DOCUMENT NO. SD-151080-0001 SHEET NO. 5 OF 5			
2 PLACES	± 0.25	± ---	DRAFT WHERE APPLICABLE MUST REMAIN WITHIN DIMENSIONS							
1 PLACE	± ---	± ---	ANGULAR ± 3°		THIS DRAWING CONTAINS INFORMATION THAT IS PROPRIETARY TO MOLEX INCORPORATED AND SHOULD NOT BE USED WITHOUT WRITTEN PERMISSION					
0 PLACE	± ---	± ---								