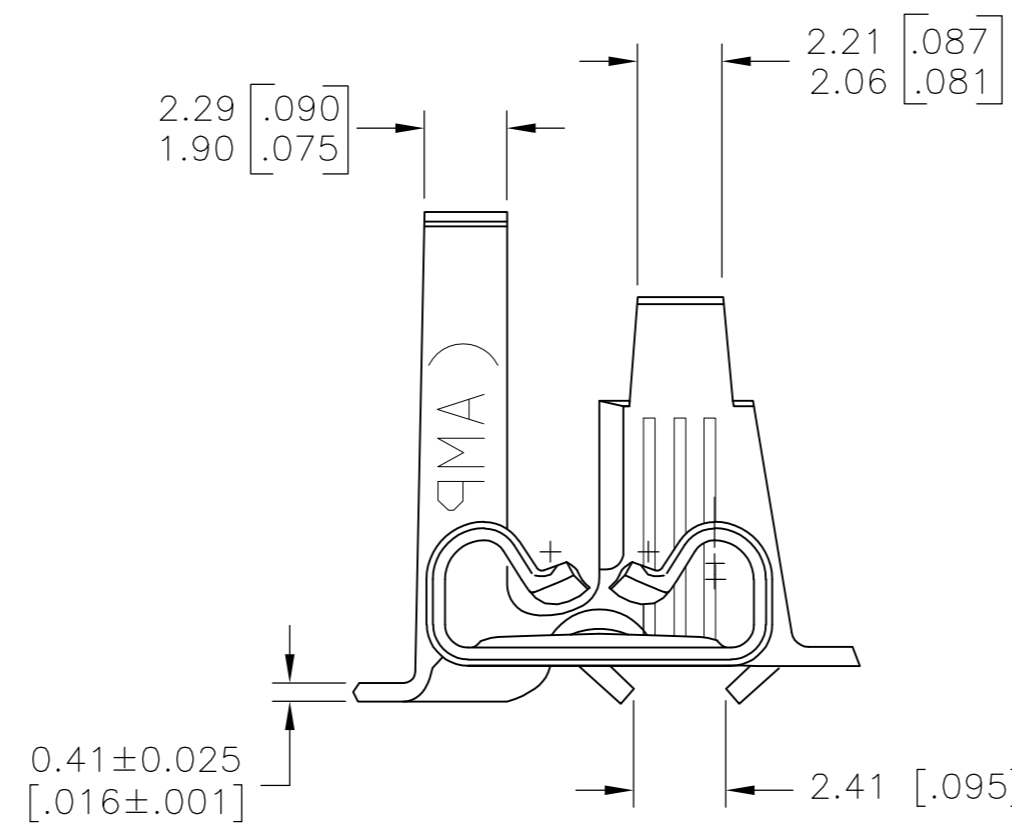
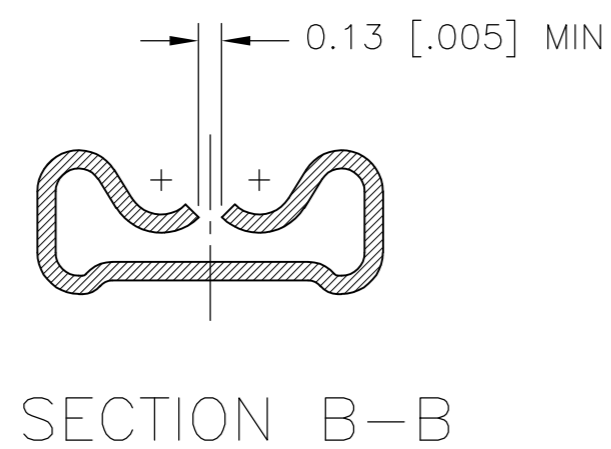
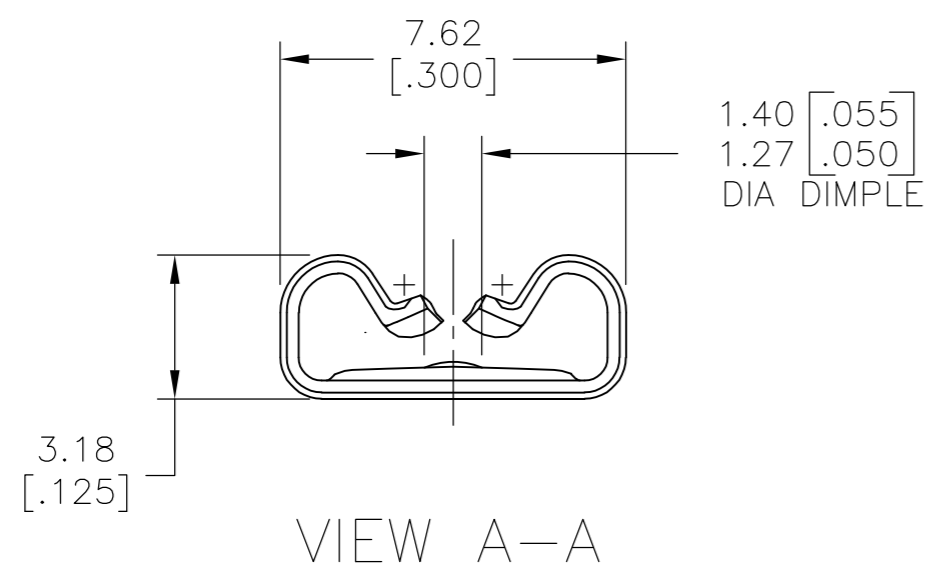
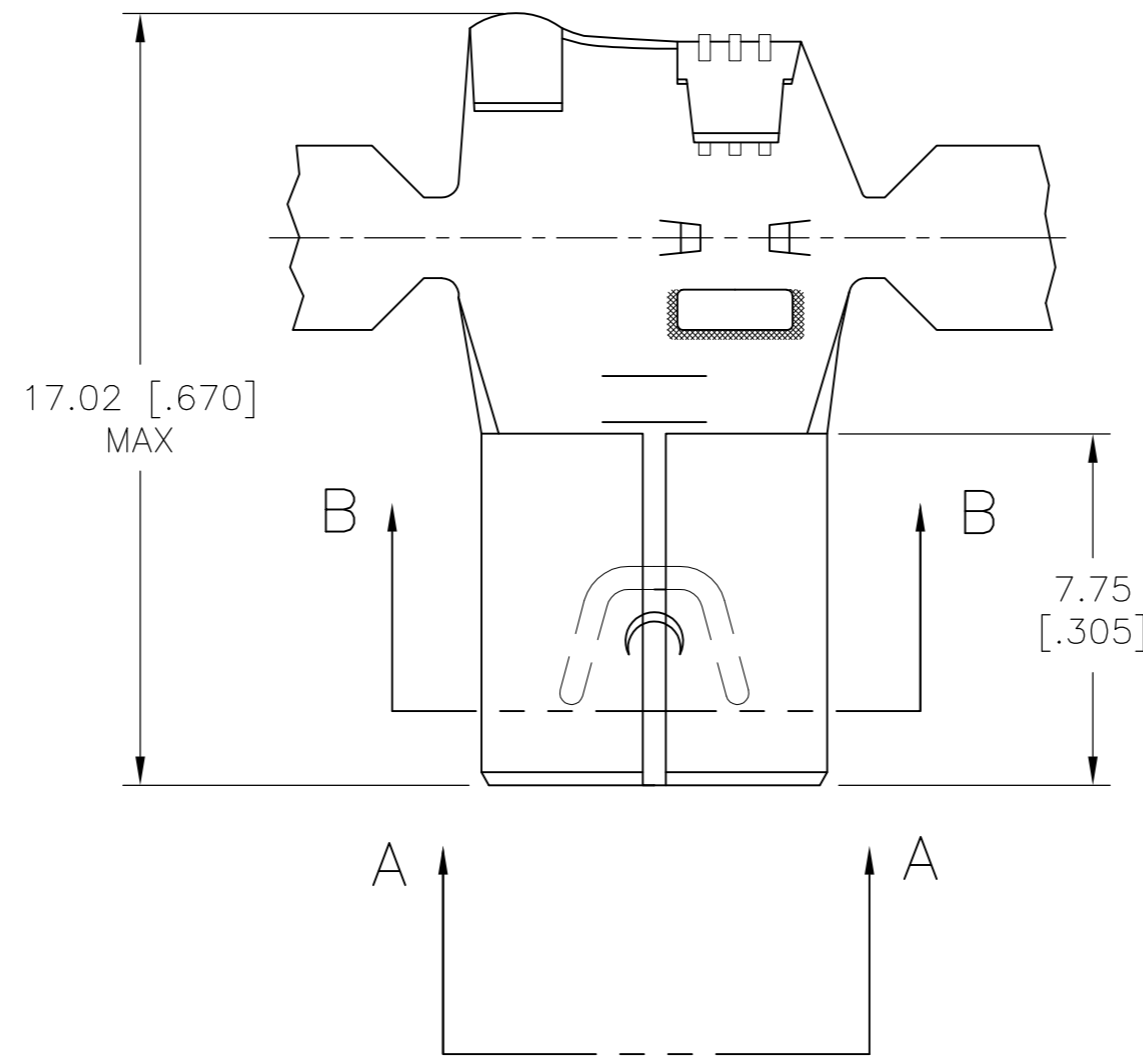


THIS DRAWING IS UNPUBLISHED. RELEASED FOR PUBLICATION
 © COPYRIGHT - By - ALL RIGHTS RESERVED.

LOC	DIST	REVISIONS			
P	LTR	DESCRIPTION	DATE	DWN	APVD
AF	50				
	A4	REVISED PER ECR-14-017989	02DEC2014	NK	DC

- 1 CONTINUOUS STRIP ON REELS
- 2 WIRE SIZE: SINGLE 18-12, 2-18's OR 1-18/1-16
- 3 INSULATION RANGE IS 2.29-5.33 [.110-.210] DIA
- 4 MATING TAB THK IS 0.81±0.025 [.032±.001]
- 5 0.00381 [.000150] MIN NICKEL PLATE
- 6 12 AWG HAS NOT BEEN SUBMITTED TO UL FOR APPROVALS.
- 7 REELING ORIENTATION ACCORDING TO TE SPEC. 107-3 FIG. 243



1742543-1
PART NO

THIS DRAWING IS A CONTROLLED DOCUMENT.		DWN	jr ruth	29JAN07				
DIMENSIONS: mm [INCHES]		CHK	P DESANTIS	26JAN07				
TOLERANCES UNLESS OTHERWISE SPECIFIED:		APVD	P DESANTIS	26JAN07	NAME			
0 PLC ± -		PRODUCT SPEC		RECEPTACLE, FASTON, FLAG, 6.35 [.250] SERIES				
1 PLC ± -		APPLICATION SPEC		SIZE				
2 PLC ± -		114-2078		CAGE CODE				
3 PLC ± 0.25 [.010]		WEIGHT		DRAWING NO				
4 PLC ± -		-		A2 00779				
ANGLES ± 5°		CUSTOMER DRAWING		SCALE				
FINISH		5		6:1				
MATERIAL		CR STEEL		SHEET				
				1 of 1				
				REV				
				A4				