

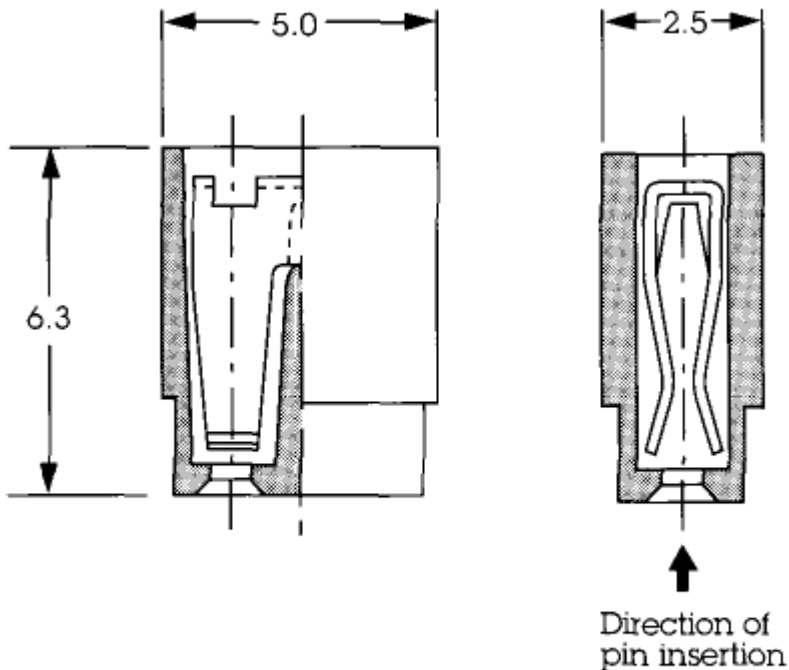
Professionally approved products.

Datasheet

Jumper Socket (Open top)

RS Stock number 334-561

Dimensions - mm



Specifications:

Housing:	Glass filled polyester UL94V-0
Socket Contact:	Phosphor bronze
Plating Finish:	Gold over nickel, or tin over nickel
Current Rating:	3A at 50°C
Contact Resistance:	20 milliohms max.
Insertion Force:	13N
Withdrawal Force:	3N
Number of Insertions:	300 gold finish 50 tin finish